

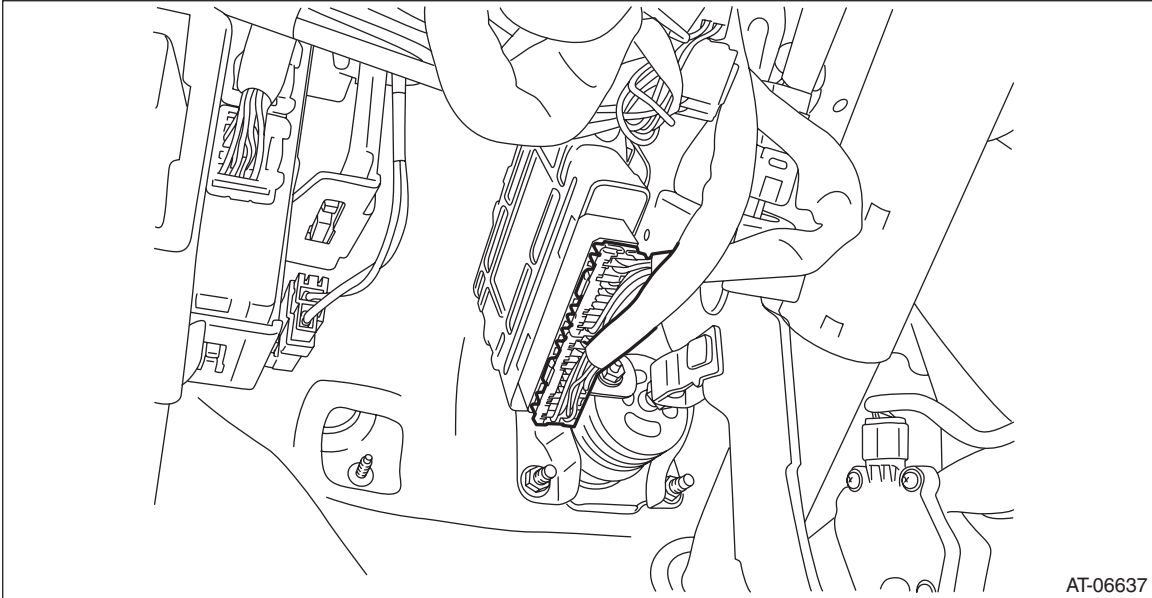
Transmission Control Module (TCM)

CONTINUOUSLY VARIABLE TRANSMISSION

22. Transmission Control Module (TCM)

A: REMOVAL

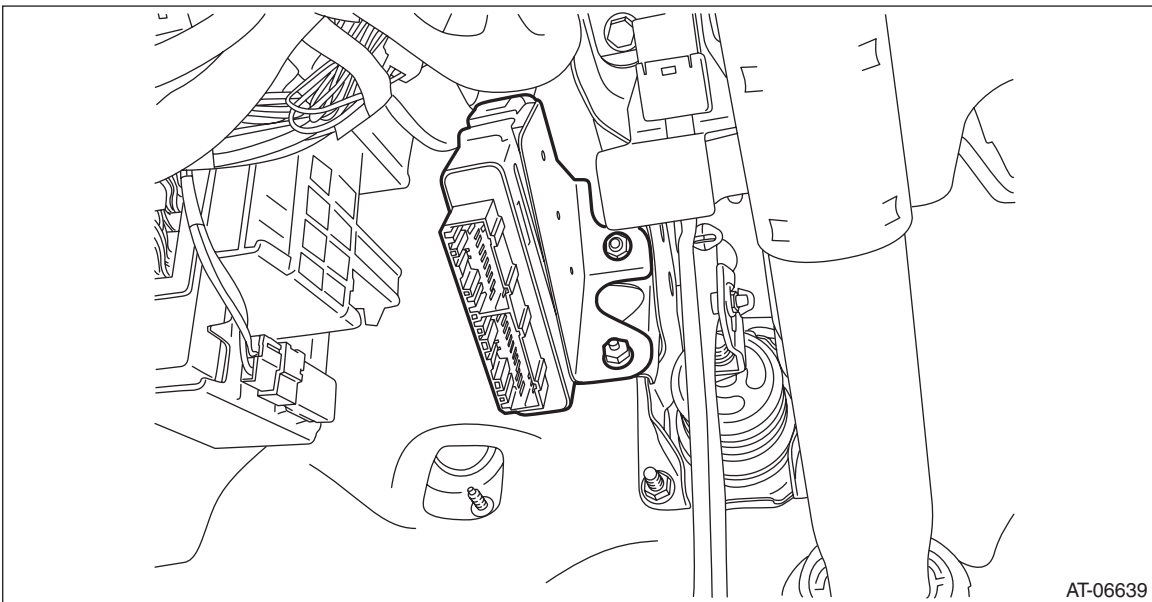
- 1) Disconnect the ground cable from battery.
- 2) Remove the instrument panel lower cover. <Ref. to EI-65, REMOVAL, Instrument Panel Lower Cover.>
- 3) Remove the bulkhead harness connector from TCM.



- 4) Remove the TCM.

NOTE:

Replace the TCM and bracket as a set.



Transmission Control Module (TCM)

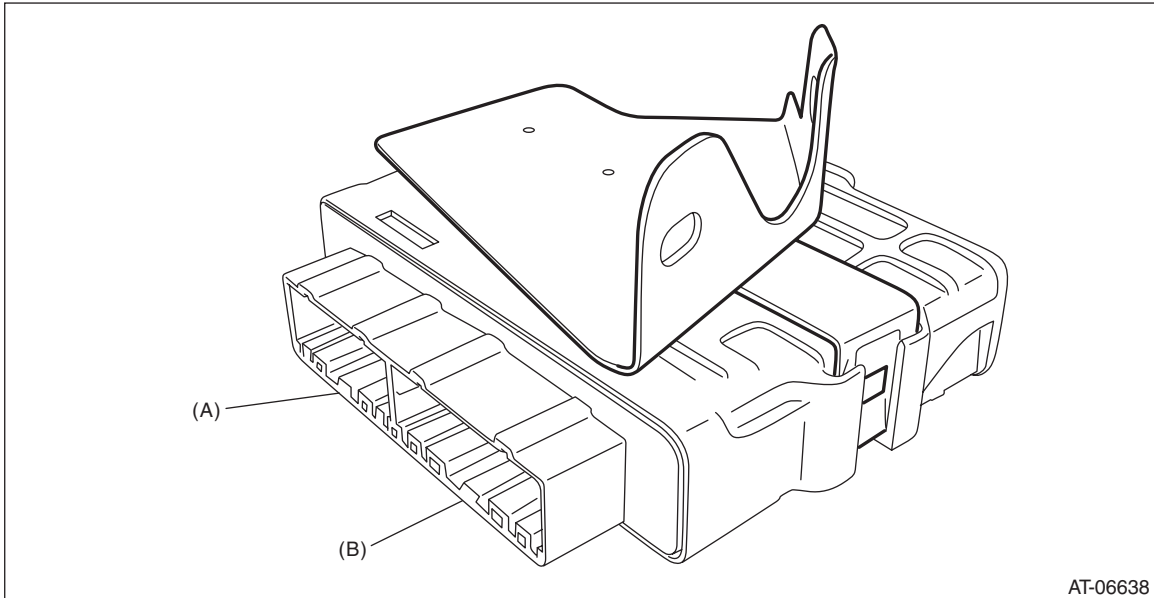
CONTINUOUSLY VARIABLE TRANSMISSION

B: INSTALLATION

1) Install the TCM to the bracket.

CAUTION:

To avoid the damage to bracket and TCM, do not remove after installing TCM to bracket. If installed by mistake, the part must be replaced with a new part.



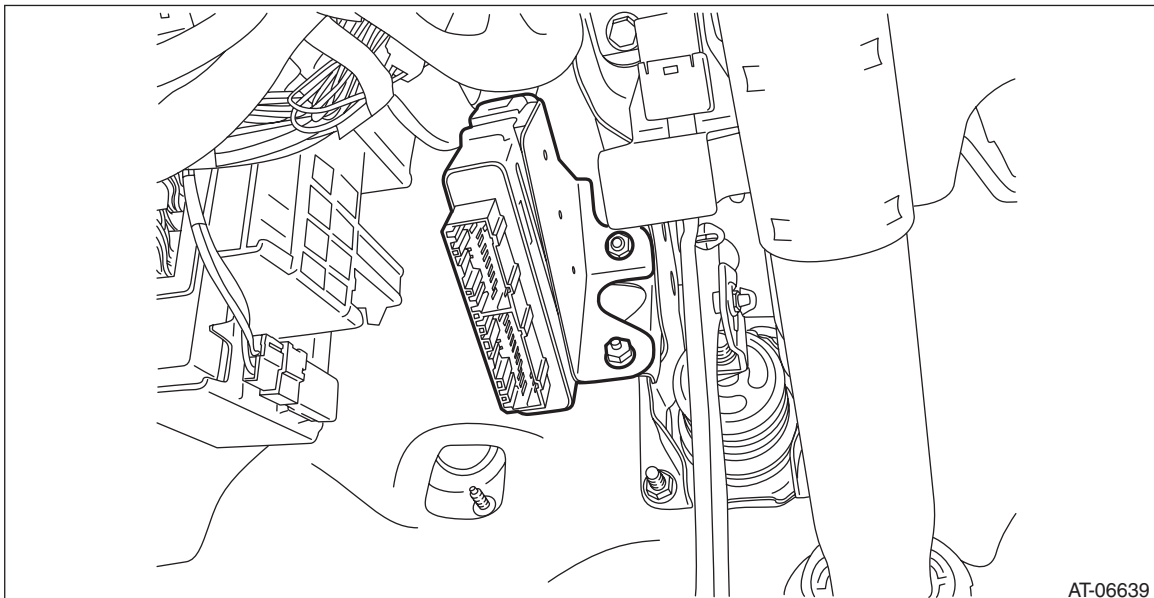
(A) 22-pin connector side

(B) 26-pin connector side

2) Install the TCM.

Tightening torque:

7.5 N·m (0.8 kgf-m, 5.5 ft-lb)



3) Install the harness connector to TCM.

4) Install the instrument panel lower cover. <Ref. to EI-66, INSTALLATION, Instrument Panel Lower Cover.>

5) Perform AT learning mode. <Ref. to CVT(diag)-21, Learning Control.>