

# Preparation for Overhaul

CONTINUOUSLY VARIABLE TRANSMISSION

## 27. Preparation for Overhaul

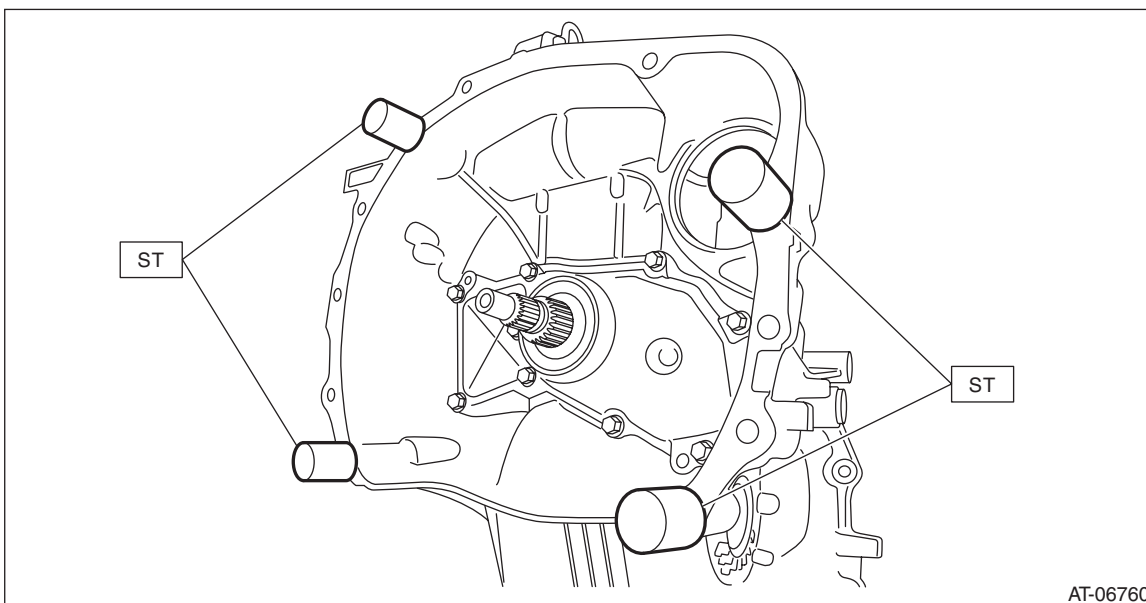
### A: GENERAL DESCRIPTION

Before disassembling and assembling the transmission, follow the following procedures to prepare.

### B: PROCEDURE

- 1) Clean the transmission exterior.
- 2) Remove the torque converter assembly. <Ref. to CVT-152, Torque Converter Assembly.>
- 3) Attach the ST on the transmission.

ST 18632AA000 STAND ASSY



AT-06760

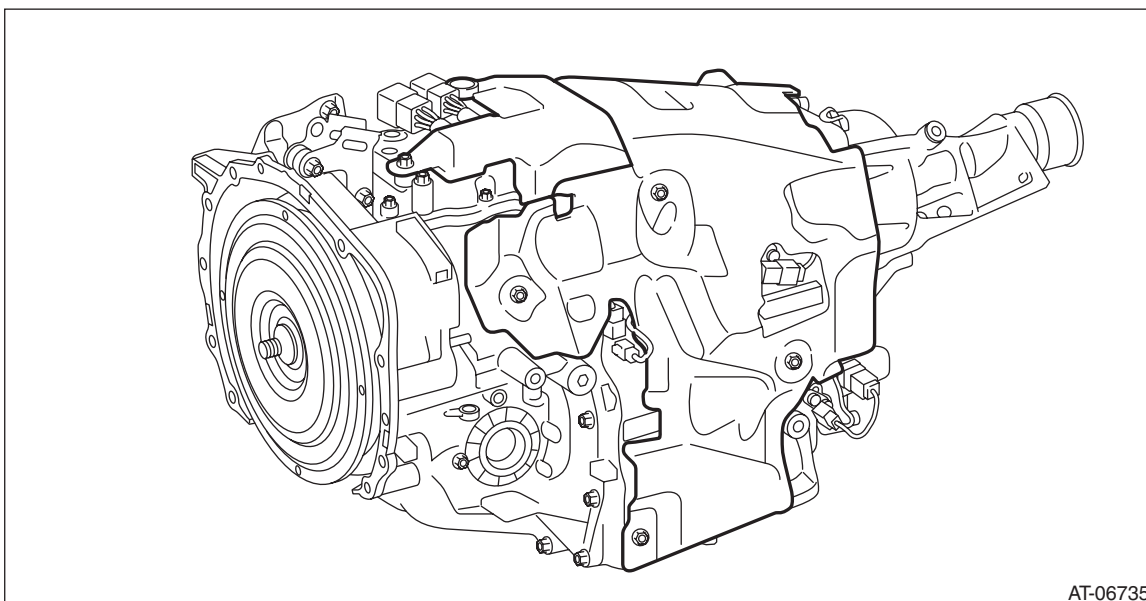
- 4) Remove the transmission case cover on the transmission upper side.

NOTE:

Install using the following tightening torque.

**Tightening torque:**

**8 N·m (0.8 kgf·m, 5.9 ft·lb)**



AT-06735

# Preparation for Overhaul

CONTINUOUSLY VARIABLE TRANSMISSION

5) Place the transmission assembly on end.

6) When completely overhauling the transmission, refill approx. 10 L (2.6 US qt, 8.8 Imp qt) of CVTF through the transmission right side plug, and install the plug. Finally, install the transmission case cover.

## CAUTION:

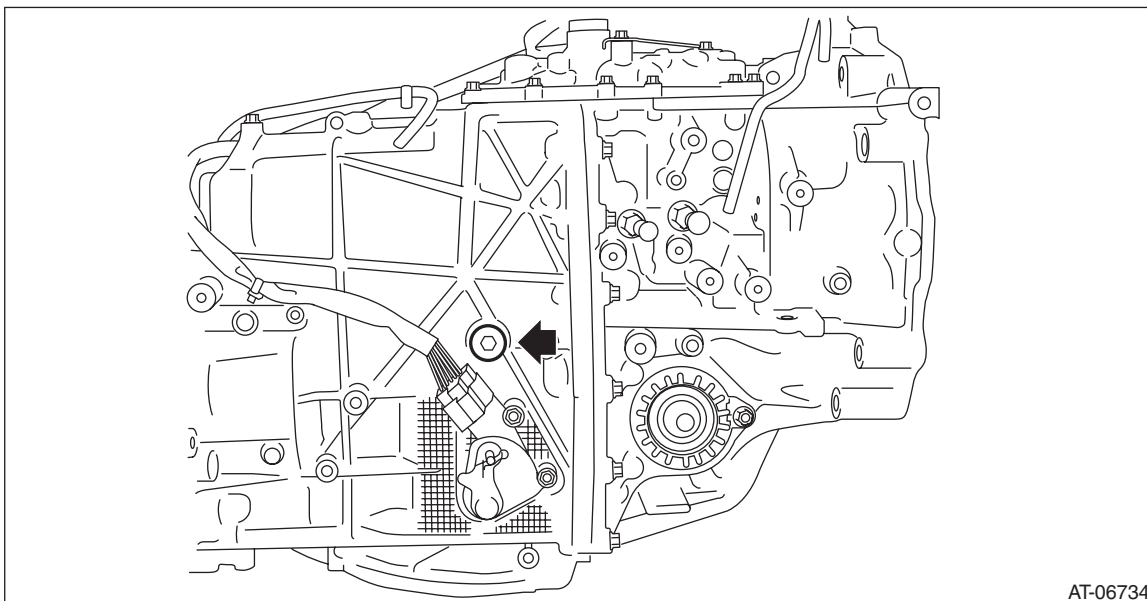
**Always use specified CVTF. Using other fluid will cause malfunction. <Ref. to CVT-3, HYDRAULIC CONTROL AND LUBRICATION, SPECIFICATION, General Description.>**

## NOTE:

Use a new gasket.

## Tightening torque:

**50 N·m (5.1 kgf·m, 36.9 ft·lb)**



AT-06734