

Extension Case

CONTINUOUSLY VARIABLE TRANSMISSION

28.Extension Case

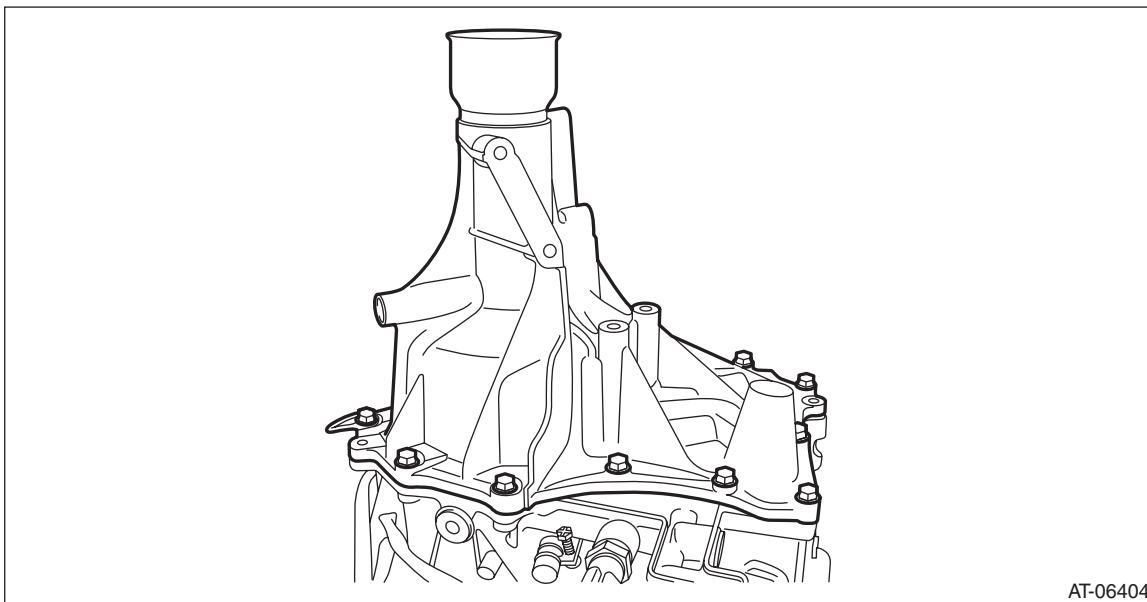
A: REMOVAL

1) Remove the transmission assembly from the vehicle. <Ref. to CVT-56, REMOVAL, Automatic Transmission Assembly.>

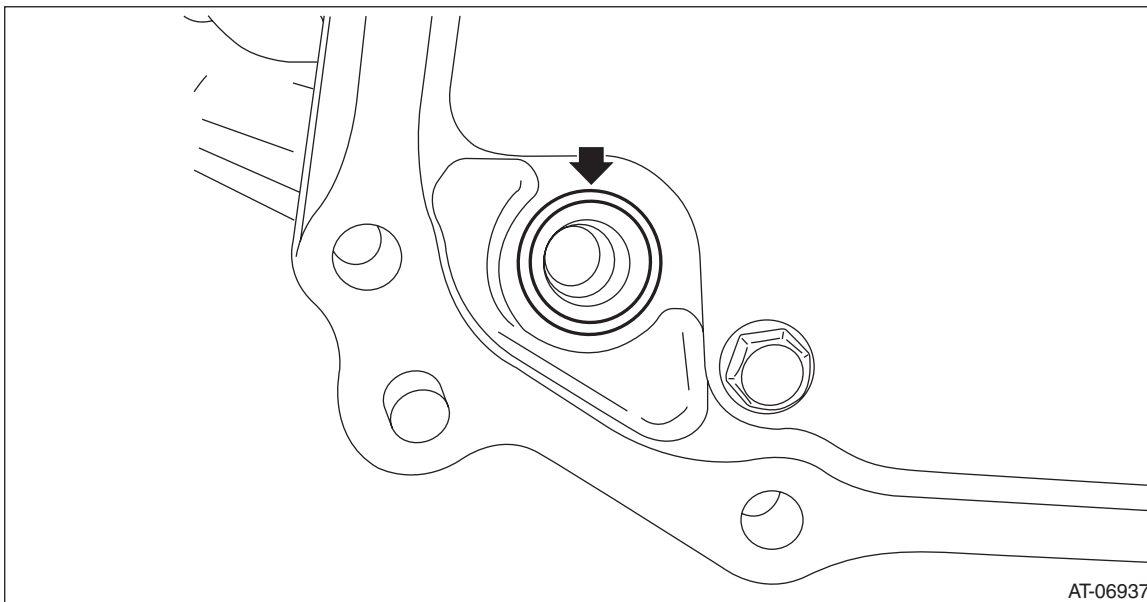
2) Remove the extension case and transmission hanger.

NOTE:

The total number of extension case mounting bolts is 13.



3) Remove the O-ring.



Extension Case

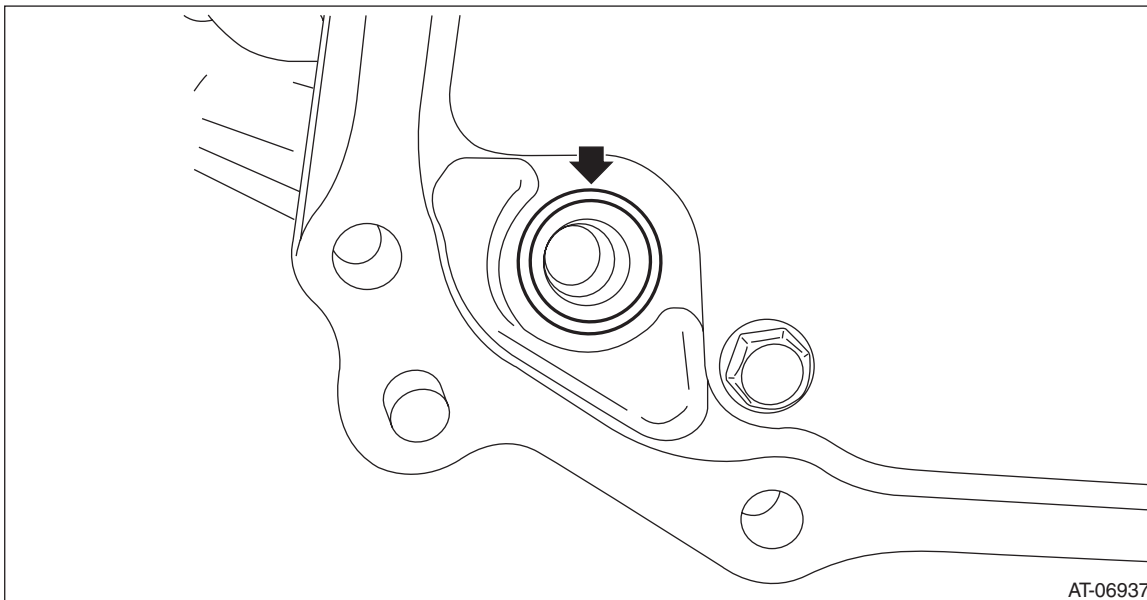
CONTINUOUSLY VARIABLE TRANSMISSION

B: INSTALLATION

- 1) Clean the mating surface of extension case and transmission case.
- 2) Select the transfer drive gear shim. <Ref. to CVT-208, ADJUSTMENT, Reduction Drive Gear.>
- 3) Select the transfer driven gear shim. <Ref. to CVT-172, ADJUSTMENT, Transfer Clutch.>
- 4) Attach the selected transfer drive gear shim to extension case with vaseline.
- 5) Attach the selected transfer driven gear shim to extension case with vaseline.
- 6) Install the O-ring to the transmission case.

NOTE:

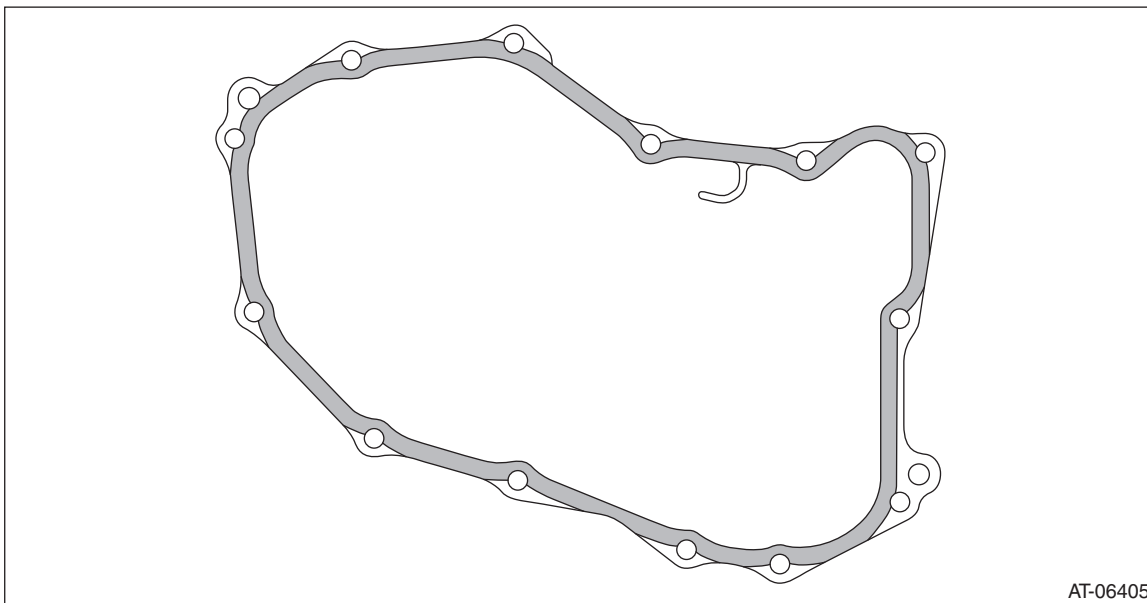
- Use new O-rings.
- Apply CVTF to the O-ring.



- 7) Apply liquid gasket to extension case seamlessly.

Liquid gasket:

THREE BOND 1215 (Part No. 004403007) or equivalent



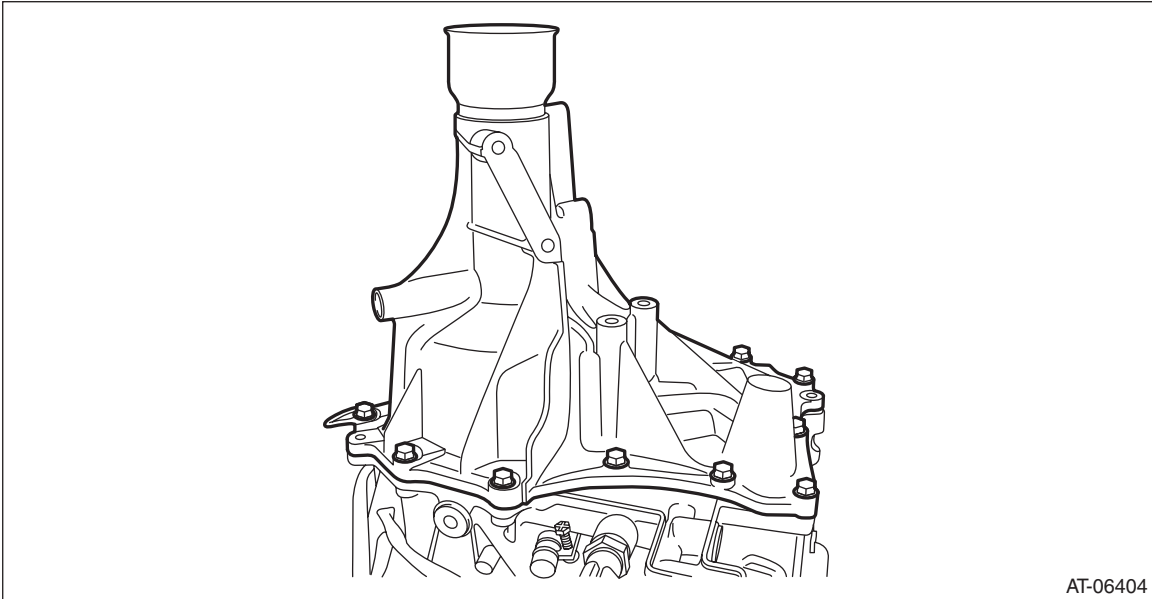
Extension Case

CONTINUOUSLY VARIABLE TRANSMISSION

8) Install the extension case to transmission hanger.

Tightening torque:

25 N·m (2.5 kgf·m, 18.4 ft·lb)



AT-06404

9) Install the transmission assembly. <Ref. to CVT-67, INSTALLATION, Automatic Transmission Assembly.>

C: DISASSEMBLY

- 1) Remove the dust cover from extension case.
- 2) Remove the extension case oil seal from the extension case. <Ref. to CVT-85, REPLACEMENT, Differential Side Retainer Oil Seal.>
- 3) Remove all plugs.

D: ASSEMBLY

- 1) Press-fit the dust cover into extension case.
- 2) Install the extension case oil seal to extension case. <Ref. to CVT-85, REPLACEMENT, Differential Side Retainer Oil Seal.>
- 3) Install all plugs.

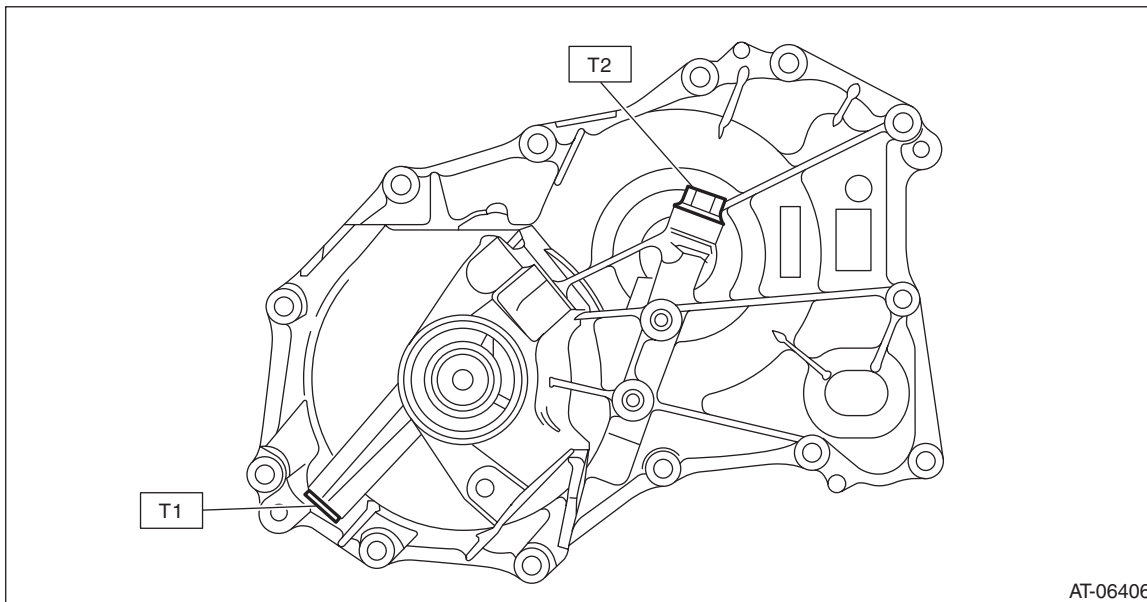
NOTE:

- Use a new O-ring or a gasket.
- Apply CVTF to the O-ring.

Tightening torque:

T1: 25 N·m (2.5 kgf-m, 18.4 ft-lb)

T2: 35 N·m (3.6 kgf-m, 25.8 ft-lb)



AT-06406

E: INSPECTION

- Check there is no leak of CVTF from the joint between extension case and transmission case.
- Check there is no damage or cracks on the extension case and other parts.

F: ADJUSTMENT

NOTE:

When replacing the extension case, select the transfer drive gear shim and transfer driven gear shim. <Ref. to CVT-208, ADJUSTMENT, Reduction Drive Gear.> <Ref. to CVT-172, ADJUSTMENT, Transfer Clutch.>