

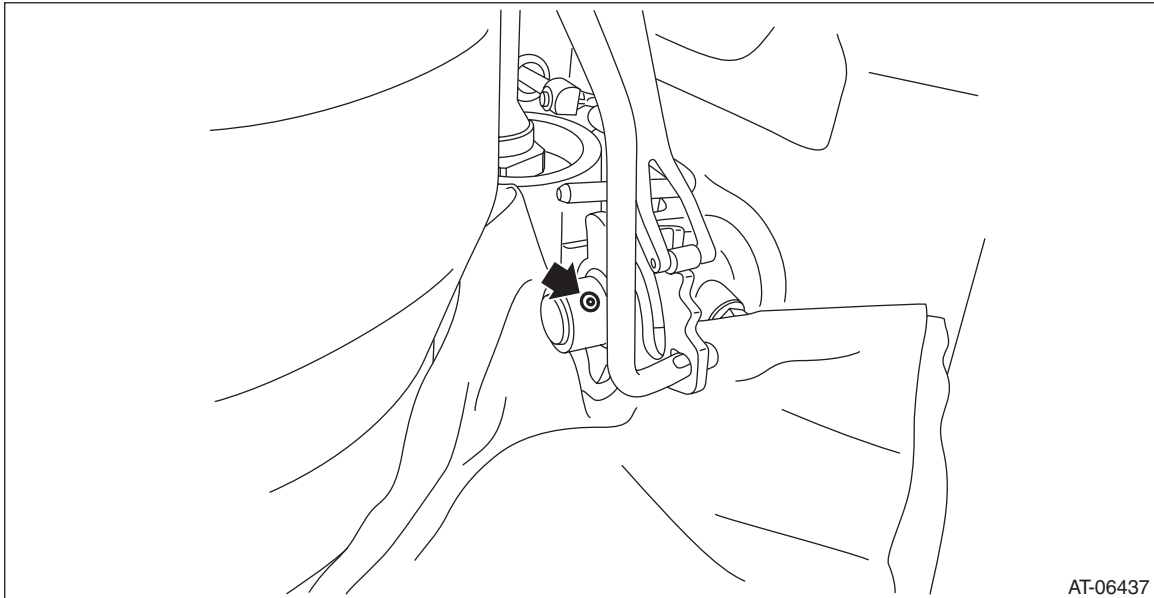
33. Transmission Control Device

A: REMOVAL

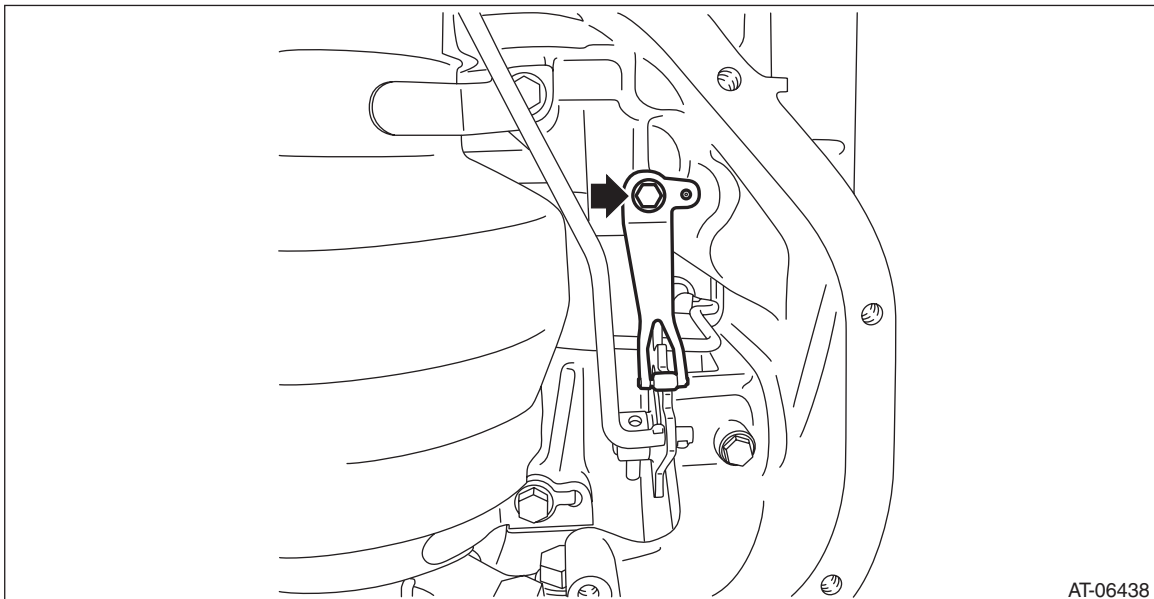
- 1) Remove the transmission assembly from the vehicle. <Ref. to CVT-56, REMOVAL, Automatic Transmission Assembly.>
- 2) Remove the inhibitor switch. <Ref. to CVT-93, REMOVAL, Inhibitor Switch.>
- 3) Remove the oil pan and oil strainer. <Ref. to CVT-106, REMOVAL, Oil Pan and Strainer.>
- 4) Shift the manual plate to "N" range, and remove the spring pin.

NOTE:

Prevent the spring pin from dropping in the transmission using paper towel etc.



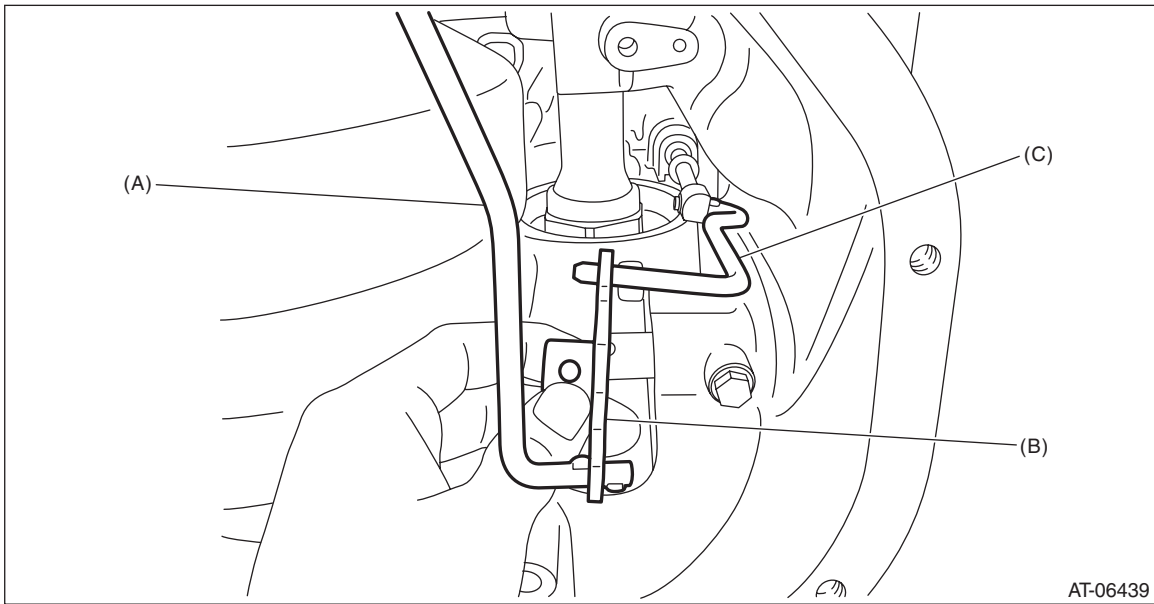
- 5) Remove the detent spring.



Transmission Control Device

CONTINUOUSLY VARIABLE TRANSMISSION

6) Remove the manual plate from the shifter arm shaft, and remove the shift connecting rod of the manual valve.



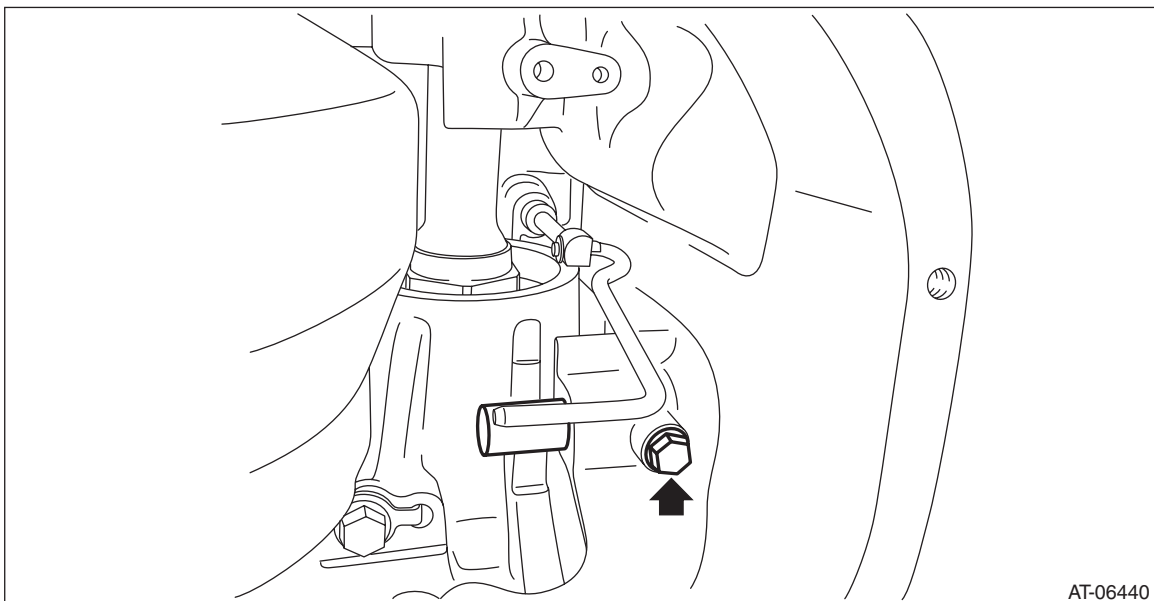
- (A) Parking rod
- (B) Manual plate
- (C) Shift connecting rod

7) Remove the manual plate and parking rod.

8) Remove the bolt, and remove the shifter arm shaft.

NOTE:

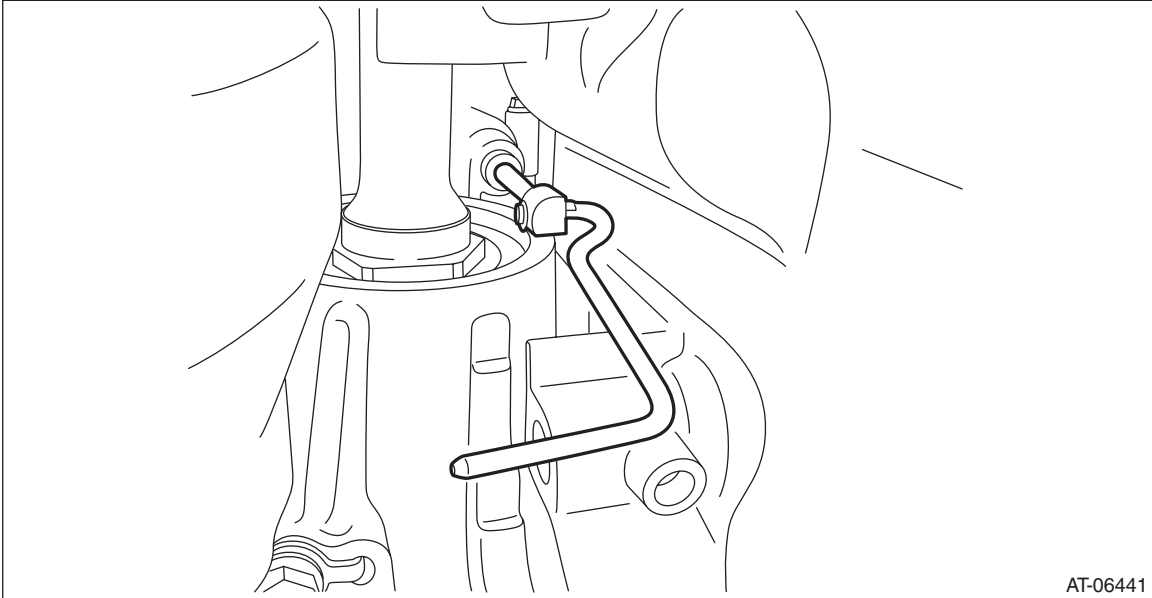
Do not damage the lip of oil seal press-fitted in the case.



Transmission Control Device

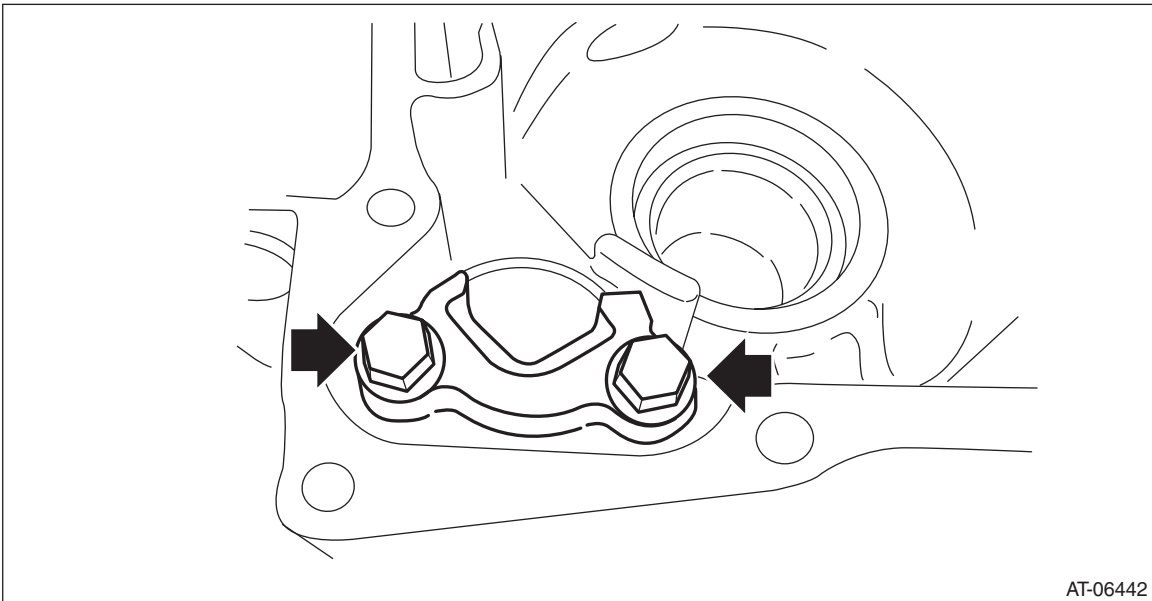
CONTINUOUSLY VARIABLE TRANSMISSION

9) Remove the manual valve.



AT-06441

10) Remove the extension case. <Ref. to CVT-156, REMOVAL, Extension Case.>
11) Remove the parking support.



AT-06442

Transmission Control Device

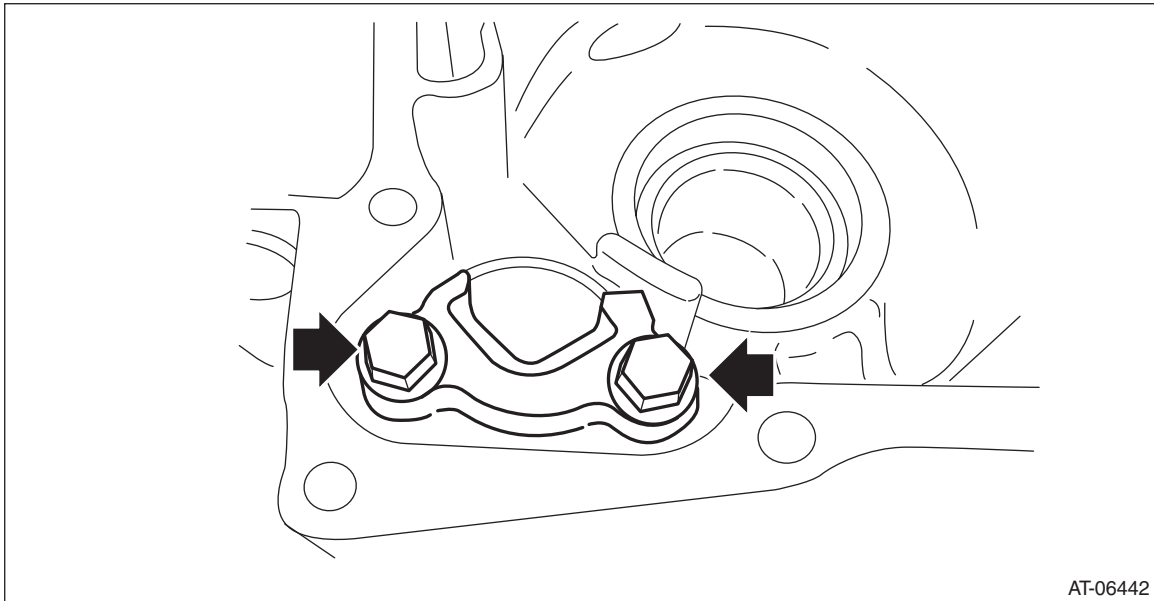
CONTINUOUSLY VARIABLE TRANSMISSION

B: INSTALLATION

1) Install the parking support.

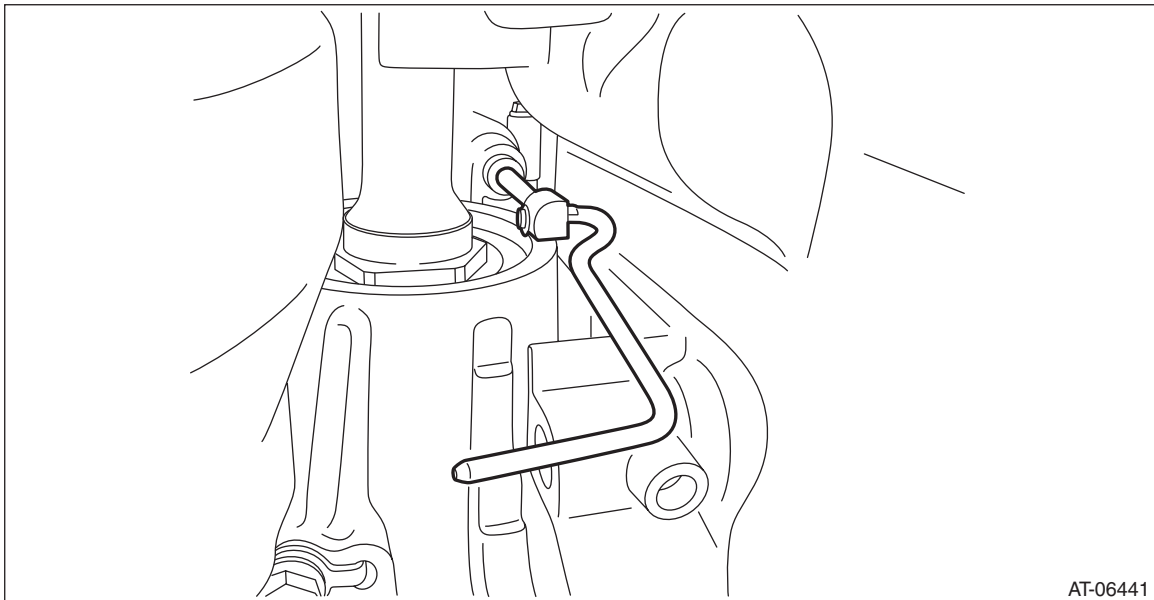
Tightening torque:

25 N·m (2.5 kgf·m, 18.4 ft·lb)



2) Install the extension case. <Ref. to CVT-157, INSTALLATION, Extension Case.>

3) Install the manual valve.



Transmission Control Device

CONTINUOUSLY VARIABLE TRANSMISSION

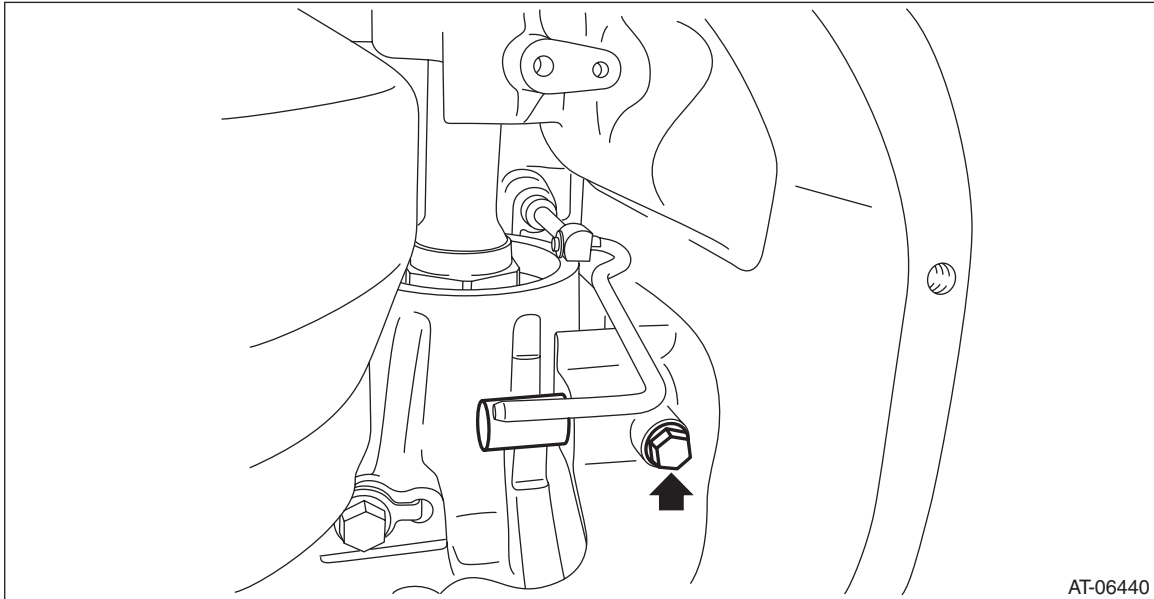
4) Install the shifter arm shaft and bolt.

NOTE:

Do not damage the lip of oil seal press-fitted in the case.

Tightening torque:

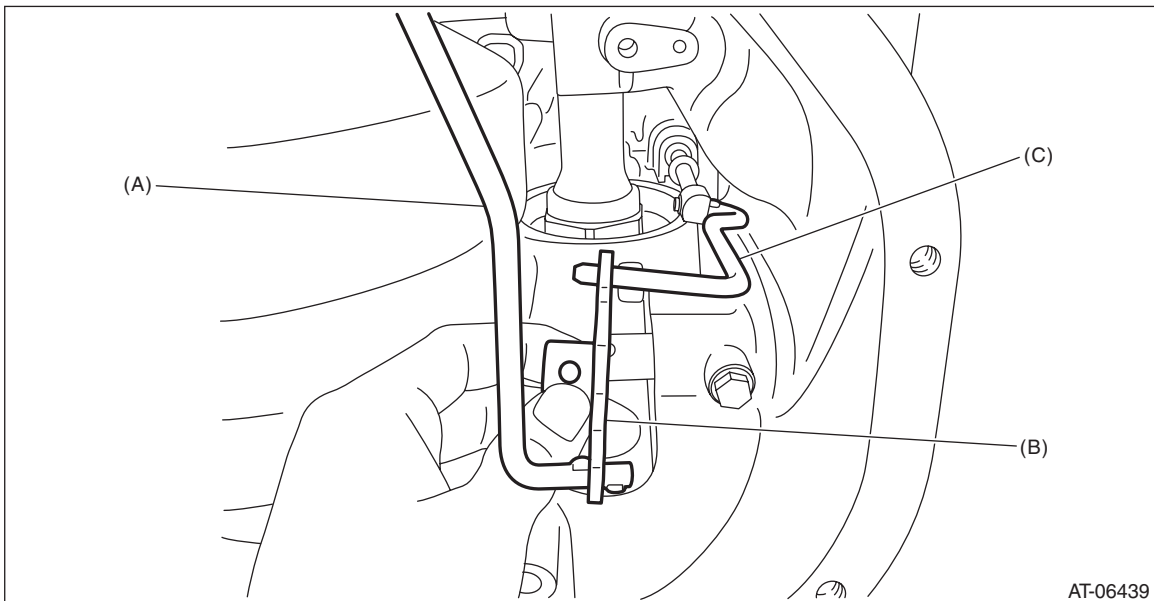
7 N·m (0.7 kgf·m, 5.2 ft·lb)



AT-06440

5) Install the parking rod to the manual plate.

6) Insert the parking rod into the transmission case, and install the shift connecting rod of the manual valve to the manual plate.



AT-06439

- (A) Parking rod
- (B) Manual plate
- (C) Shift connecting rod

7) Install the manual plate to the shifter arm shaft.

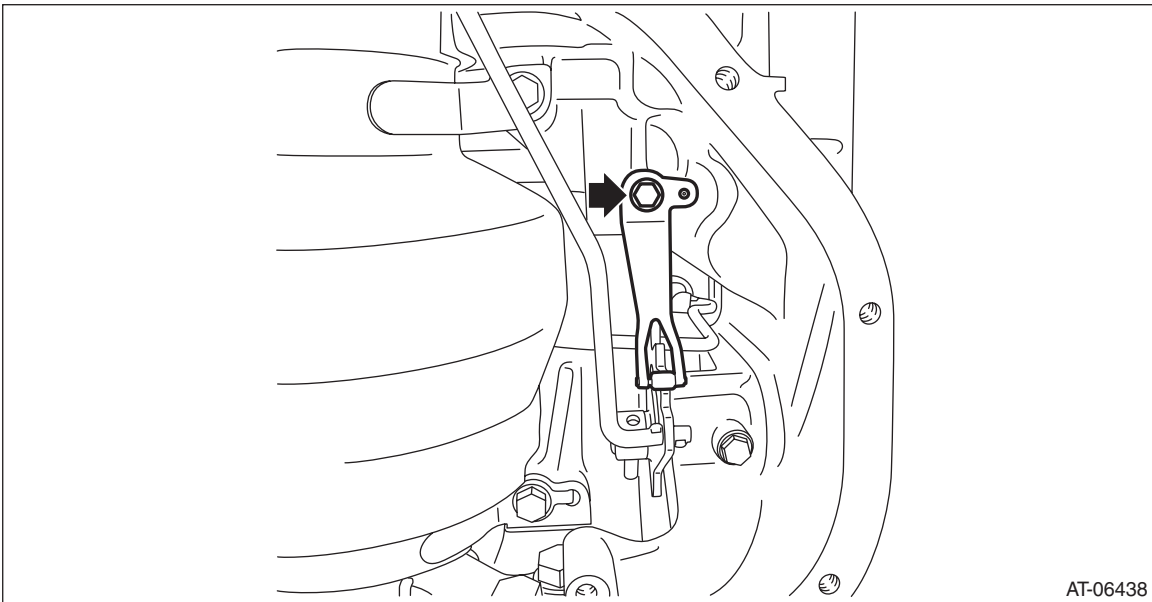
Transmission Control Device

CONTINUOUSLY VARIABLE TRANSMISSION

8) Install the detent spring to the transmission case.

Tightening torque:

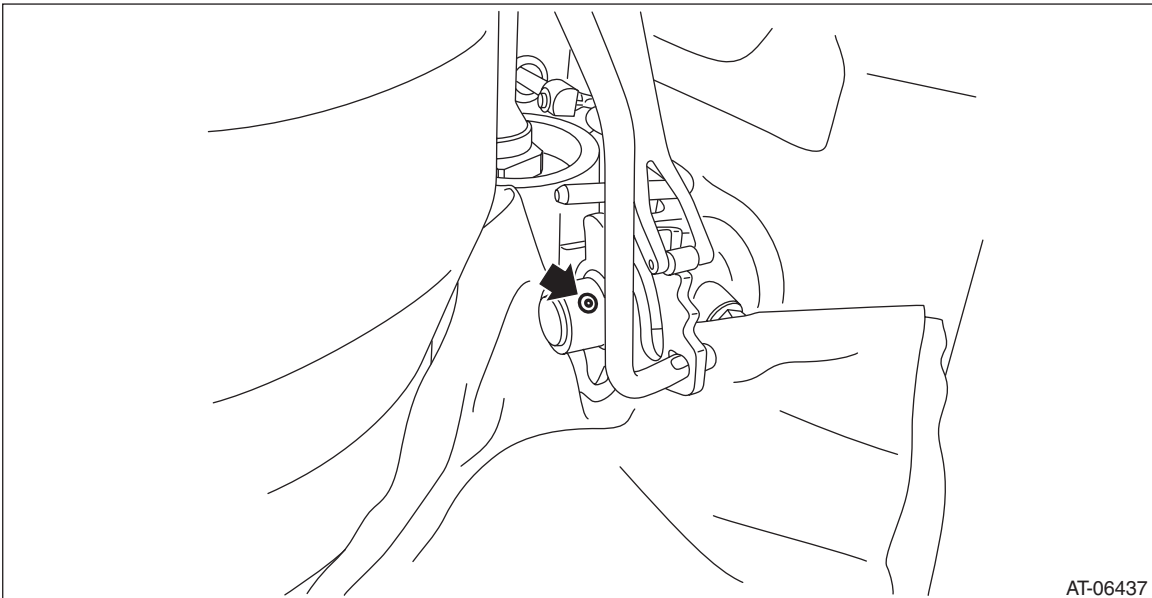
7 N·m (0.7 kgf·m, 5.2 ft·lb)



9) Install the spring pin.

NOTE:

Use new spring pin.



10) Install the inhibitor switch. <Ref. to CVT-95, INSTALLATION, Inhibitor Switch.>

11) Adjust the inhibitor switch. <Ref. to CVT-92, ADJUSTMENT, Inhibitor Switch.>

12) Install the oil strainer and oil pan. <Ref. to CVT-107, INSTALLATION, Oil Pan and Strainer.>

13) Install the transmission assembly to the vehicle. <Ref. to CVT-67, INSTALLATION, Automatic Transmission Assembly.>

C: INSPECTION

Make sure that the manual plate and detent spring are not worn or otherwise damaged.