

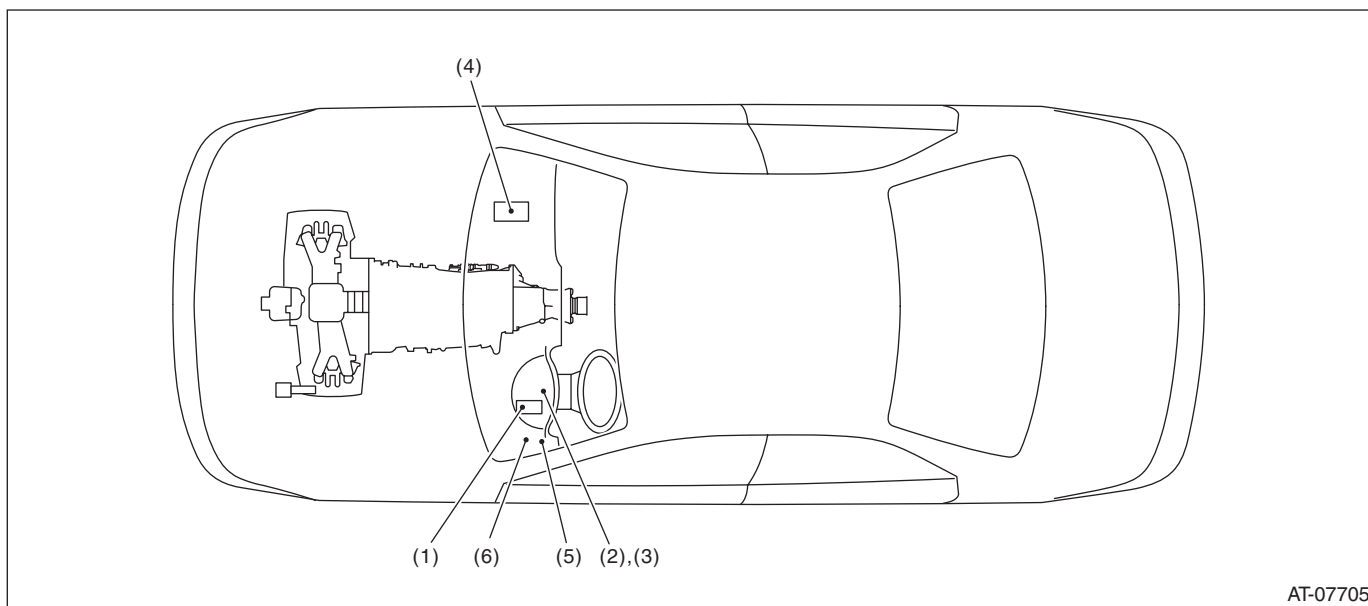
Electrical Component Location

CONTINUOUSLY VARIABLE TRANSMISSION (DIAGNOSTICS)

4. Electrical Component Location

A: LOCATION

1. CONTROL MODULE



(1) Transmission control module (TCM)

(3) AWD light

(5) Body integrated unit

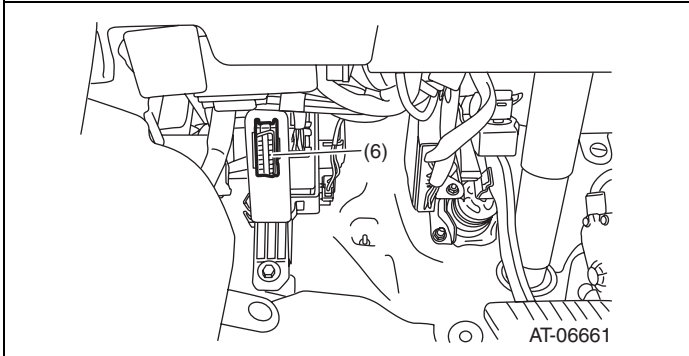
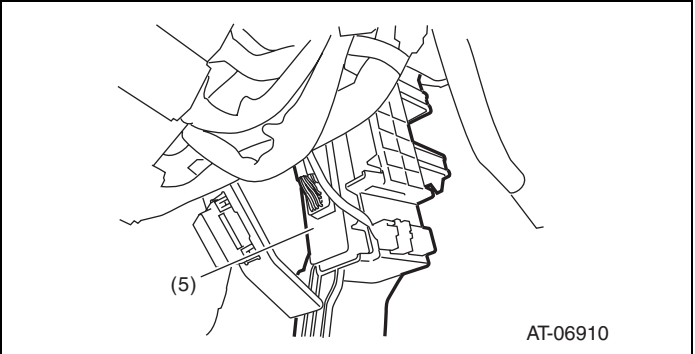
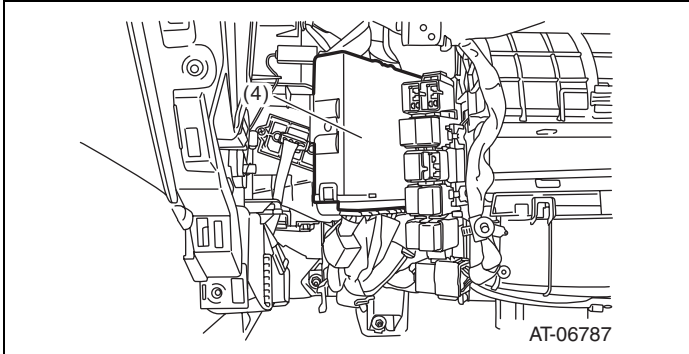
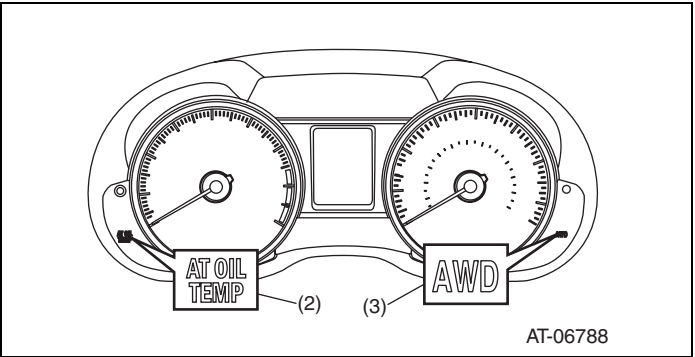
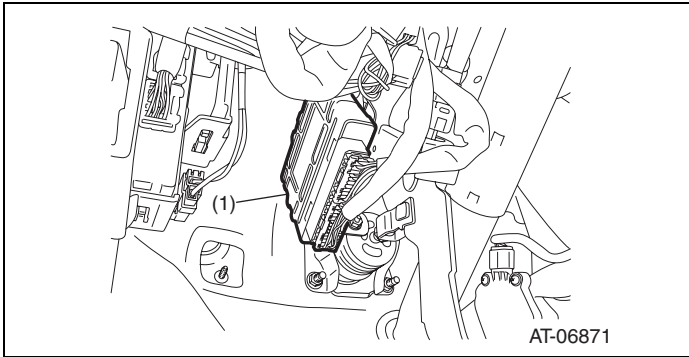
(2) AT OIL TEMP light

(4) Engine control module (ECM)

(6) Data link connector

Electrical Component Location

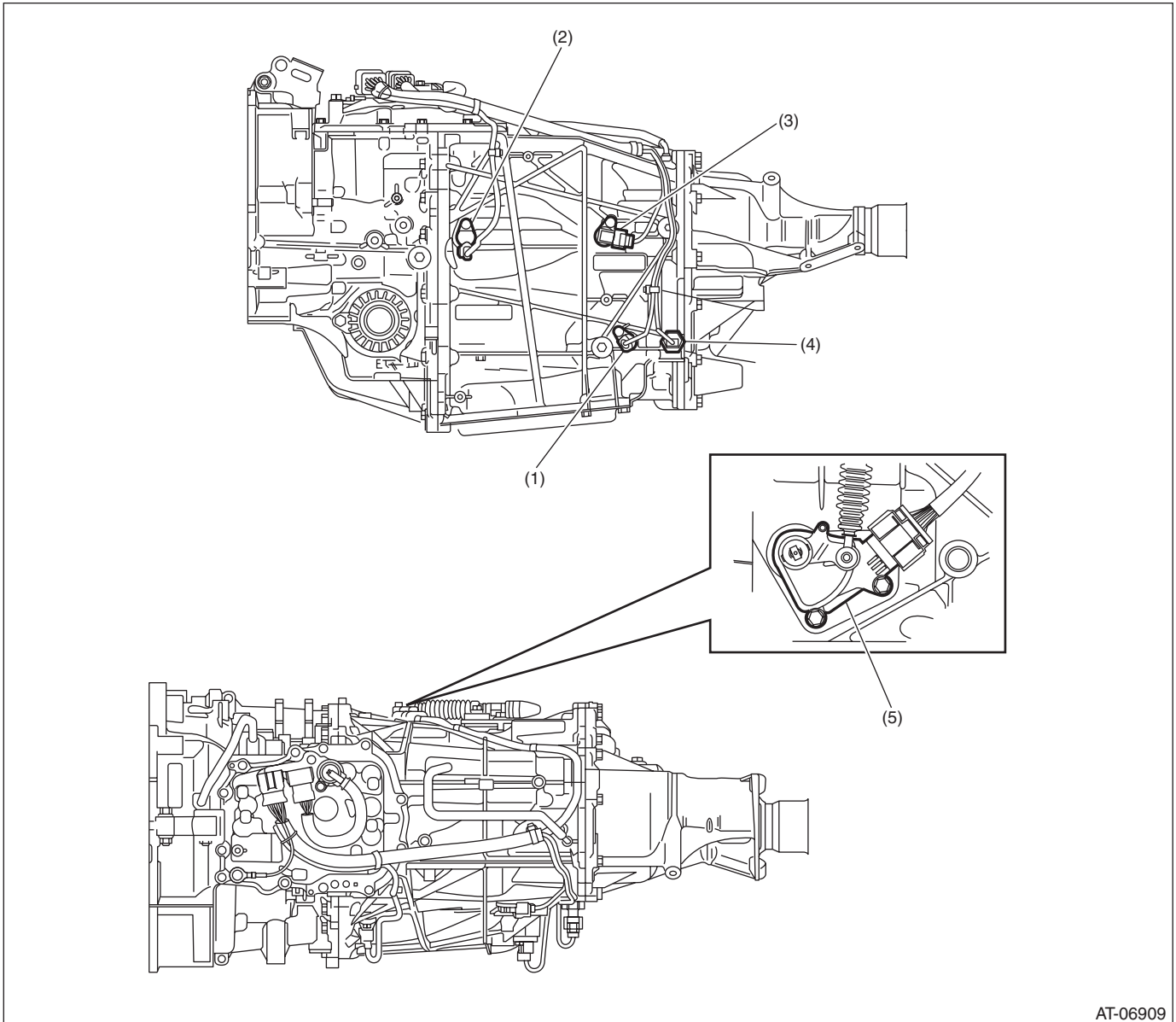
CONTINUOUSLY VARIABLE TRANSMISSION (DIAGNOSTICS)



Electrical Component Location

CONTINUOUSLY VARIABLE TRANSMISSION (DIAGNOSTICS)

2. SENSOR



AT-06909

(1) Secondary speed sensor

(3) Primary speed sensor

(5) Inhibitor switch

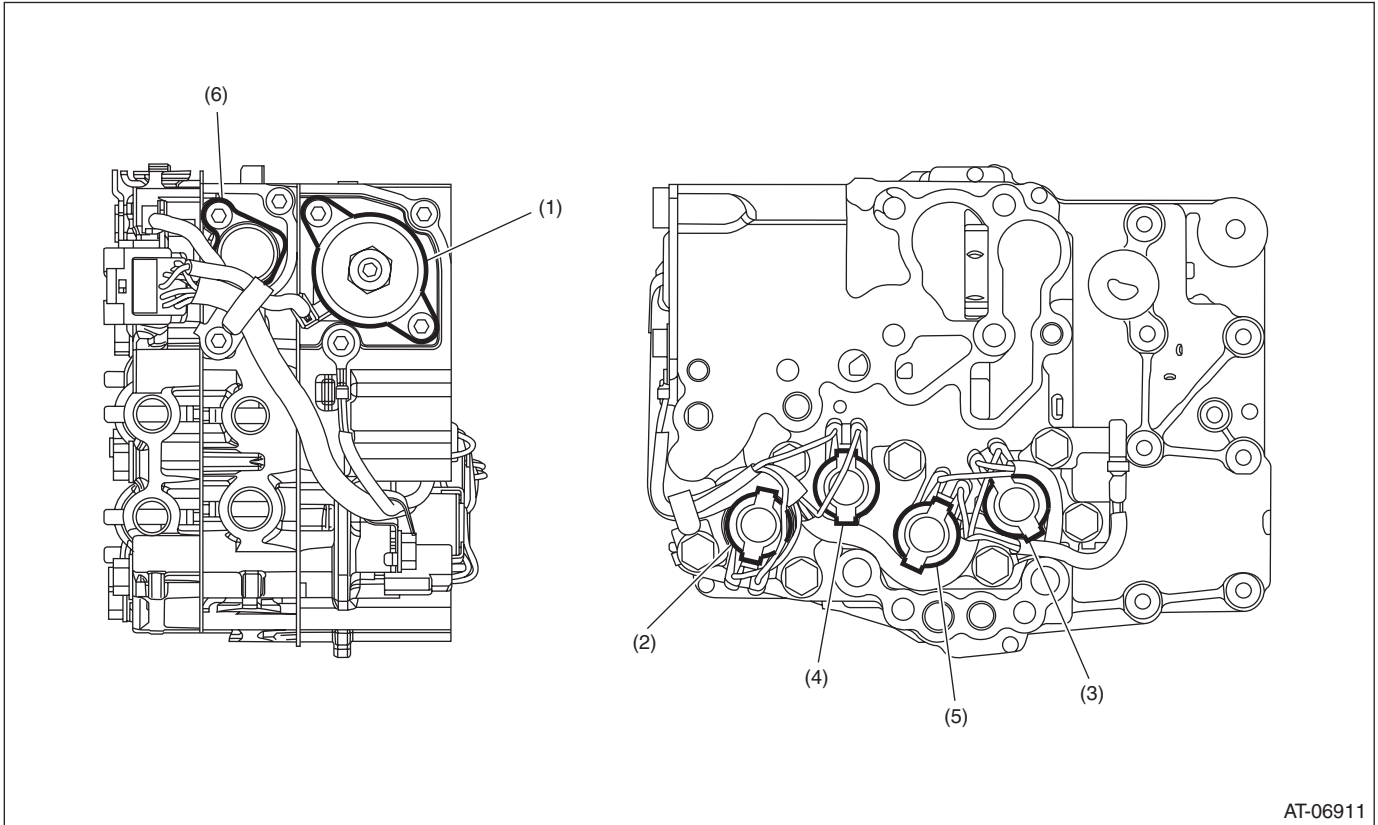
(2) Turbine speed sensor

(4) Secondary pressure sensor

Electrical Component Location

CONTINUOUSLY VARIABLE TRANSMISSION (DIAGNOSTICS)

3. SOLENOID



AT-06911

- (1) Secondary solenoid
- (2) AWD solenoid

- (3) Lock-up duty solenoid
- (4) Primary DOWN solenoid

- (5) Primary UP solenoid
- (6) F&R solenoid