

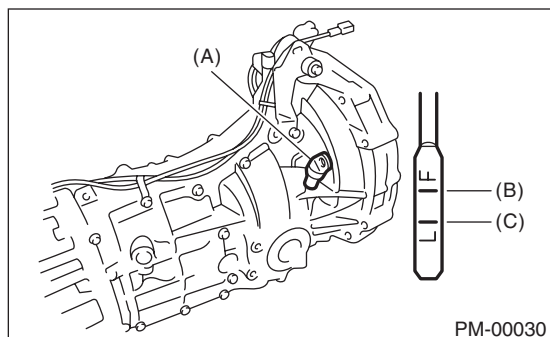
Transmission Gear Oil

MANUAL TRANSMISSION AND DIFFERENTIAL

2. Transmission Gear Oil

A: INSPECTION

- 1) Park the vehicle on a level surface.
- 2) Turn the ignition switch to OFF, and wait until the engine cools.
- 3) Remove the oil level gauge and wipe it clean.
- 4) Reinsert the oil level gauge all the way. Be sure that the oil level gauge is correctly inserted in the proper direction.
- 5) Pull out the oil level gauge again, and check the oil level. If it is below the lower level, add oil through the oil level gauge hole to bring the level up to the upper level.



- (A) Oil level gauge
- (B) Upper level
- (C) Lower level

B: REPLACEMENT

- 1) Pull out the oil level gauge.
- 2) Lift up the vehicle.
- 3) Using the TORX® bit T70, remove the drain plug, and drain the transmission gear oil completely.

CAUTION:

- Immediately after driving the vehicle or after idling for a long time, the transmission gear oil will be hot. Be careful not to receive burns.
 - Be careful not to spill the transmission gear oil on the exhaust pipe, to prevent emission of smoke or causing a fire. If gear oil is spilled, wipe it off completely.
- 4) Tighten the drain plug using TORX® bit T70.

NOTE:

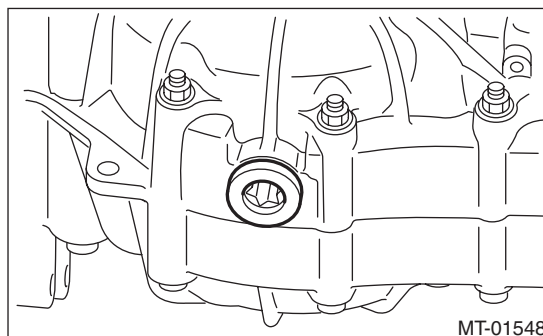
- Tighten the drain plug after draining the transmission gear oil.
- Use a new gasket.

Tightening torque:

44 N·m (4.5 kgf-m, 32.5 ft-lb) (Aluminum gasket silver)

70 N·m (7.1 kgf-m, 51.6 ft-lb) (Copper gasket, brown)

70 N·m (7.1 kgf-m, 51.6 ft-lb) (Metal gasket, black)



- 5) Lower the vehicle.
- 6) Pour gear oil through the oil level gauge hole.

Recommended gear oil:

GL-5 (75W-90) or equivalent

Gear oil capacity:

3.5 L (3.7 US qt, 3.1 Imp qt)

- 7) Measure the transmission gear oil amount, and check that it is within the specification.