

Oil Seal

MANUAL TRANSMISSION AND DIFFERENTIAL

5. Oil Seal

A: INSPECTION

Check for leakage of transmission gear oil from the oil seal. If there is oil leakage, replace the oil seal with the new part and check the propeller shaft.

B: REPLACEMENT

- 1) Disconnect the ground cable from battery.
- 2) Lift up the vehicle.
- 3) Clean the transmission exterior.
- 4) Using the TORX® bit T70, remove the drain plug, and drain the transmission gear oil completely.

CAUTION:

- Immediately after the vehicle has been running or after idling for a long time, the transmission gear oil will be hot. Be careful not to receive burns.
- Be careful not to spill the transmission gear oil on the exhaust pipe, to prevent emission of smoke or causing a fire. If gear oil is spilled, wipe it off completely.

- 5) Tighten the drain plug using TORX® bit T70.

NOTE:

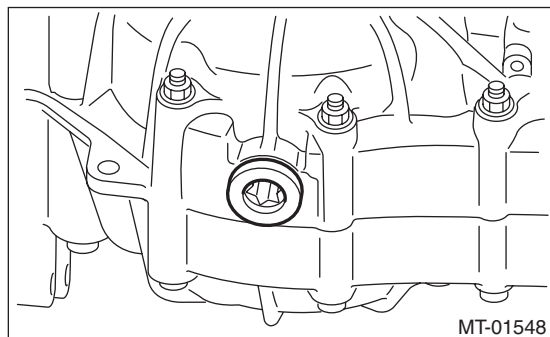
Use a new gasket.

Tightening torque:

44 N·m (4.5 kgf·m, 32.5 ft·lb) (Aluminum gasket silver)

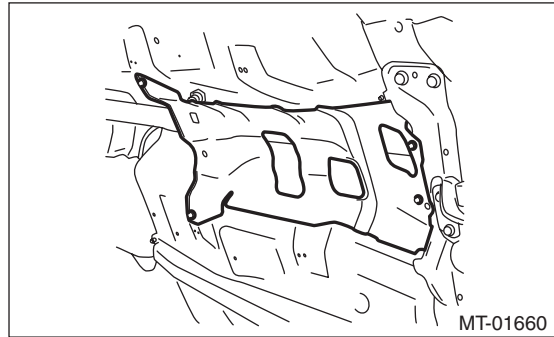
70 N·m (7.1 kgf·m, 51.6 ft·lb) (Copper gasket brown)

70 N·m (7.1 kgf·m, 51.6 ft·lb) (Metal gasket black)



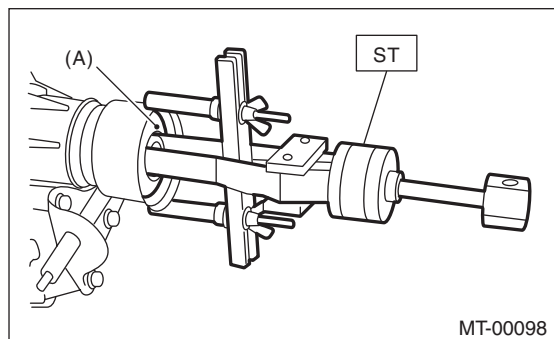
- 6) Remove the rear exhaust pipe. <Ref. to EX(H4DO)-15, REMOVAL, Rear Exhaust Pipe.>

- 7) Remove the center exhaust cover.



- 8) Remove the propeller shaft. <Ref. to DS-12, REMOVAL, Propeller Shaft.>

- 9) Using the ST, remove the oil seal.
ST 398527700 PULLER ASSY



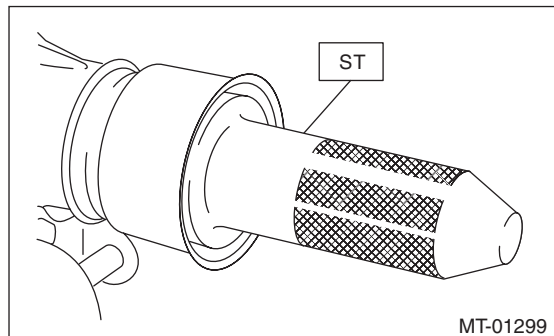
(A) Oil seal

- 10) Using the ST, install the oil seal.

NOTE:

- When grease is not applied to the oil seal lips, apply the transmission gear oil to the oil seal lips.
- Use a new oil seal.

- ST 498057300 INSTALLER

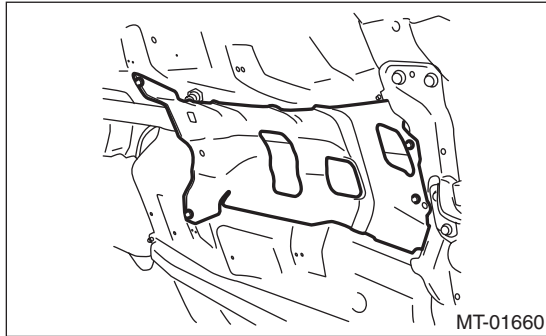


- 11) Install the propeller shaft. <Ref. to DS-13, INSTALLATION, Propeller Shaft.>

12) Install the center exhaust cover.

Tightening torque:

18 N·m (1.8 kgf·m, 13.3 ft·lb)



13) Install the rear exhaust pipe. <Ref. to EX(H4DO)-17, INSTALLATION, Rear Exhaust Pipe.>

14) Pour in transmission gear oil and check the oil level. <Ref. to 5MT-22, Transmission Gear Oil.>

15) Connect the battery ground terminal.