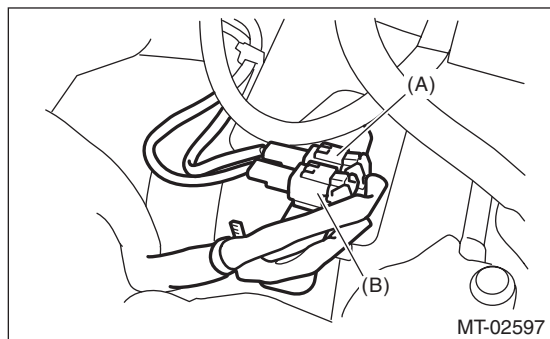


7. Switches and Harness

A: REMOVAL

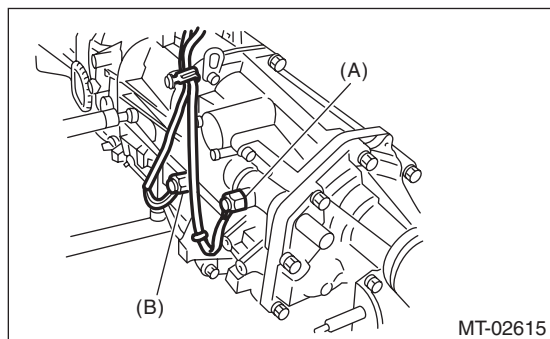
1. BACK-UP LIGHT AND NEUTRAL POSITION SWITCH

- 1) Disconnect the ground cable from battery.
- 2) Remove the air intake boot. <Ref. to IN(H4DO)-12, REMOVAL, Air Intake Boot.>
- 3) Disconnect the connector back-up light switch & neutral position switch.



- (A) Neutral position switch connector (brown)
- (B) Back-up light switch connector (gray)

- 4) Remove the harness connector from bracket.
- 5) Lift up the vehicle.
- 6) Remove the harness from each clip.
- 7) Remove the back-up light switch & neutral position switch with the harness.



- (A) Neutral position switch
- (B) Back-up light switch

B: INSTALLATION

1. BACK-UP LIGHT AND NEUTRAL POSITION SWITCH

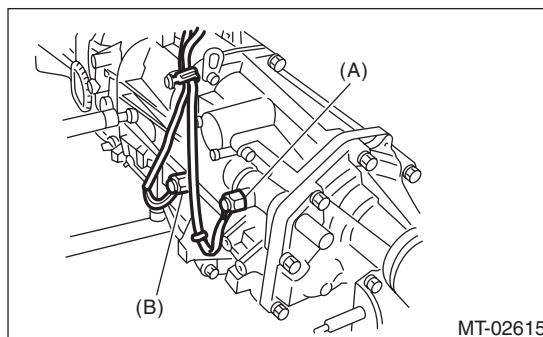
- 1) Install the back-up light switch & neutral position switch with the harness.

NOTE:

Use a new gasket.

Tightening torque:

32.3 N·m (3.3 kgf-m, 23.8 ft-lb)



- (A) Neutral position switch
- (B) Back-up light switch

- 2) Secure the switch harness on each clip.
- 3) Lower the vehicle.
- 4) Connect the connectors for back-up light switch and neutral position switch, and secure the connector to the bracket.
- 5) Install the air intake boot. <Ref. to IN(H4DO)-12, INSTALLATION, Air Intake Boot.>
- 6) Connect the battery ground terminal.

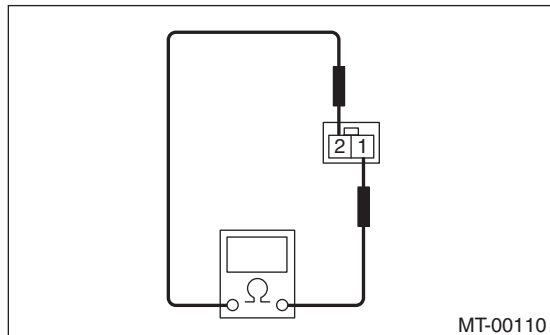
Switches and Harness

MANUAL TRANSMISSION AND DIFFERENTIAL

C: INSPECTION

1. BACK-UP LIGHT SWITCH

- 1) Turn the ignition switch to OFF.
- 2) Disconnect the back light switch connector.
- 3) Measure the resistance between the back-up light switch terminals.

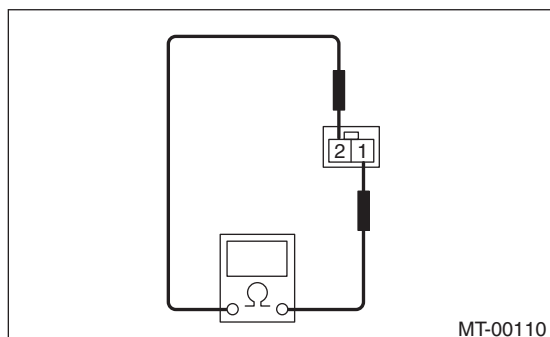


Gear shift position	Terminal No.	Specified resistance
Reverse position	1 and 2	Less than 1 Ω
Other positions		1 M Ω or more

- 4) Replace faulty parts.

2. NEUTRAL POSITION SWITCH

- 1) Turn the ignition switch to OFF.
- 2) Disconnect the connector of neutral position switch.
- 3) Measure the resistance between neutral position switch terminals.



Gear shift position	Terminal No.	Specified resistance
Neutral position	1 and 2	Less than 1 Ω
Other positions		1 M Ω or more

- 4) Replace faulty parts.