

8. Preparation for Overhaul

A: PROCEDURE

- 1) Clean oil, grease, dirt and dust from the transmission.
- 2) When gear oil remains in the transmission, use the TORX® bit T70 to remove the drain plug, and drain the transmission gear oil completely.
- 3) Tighten the drain plug using TORX® bit T70.

NOTE:

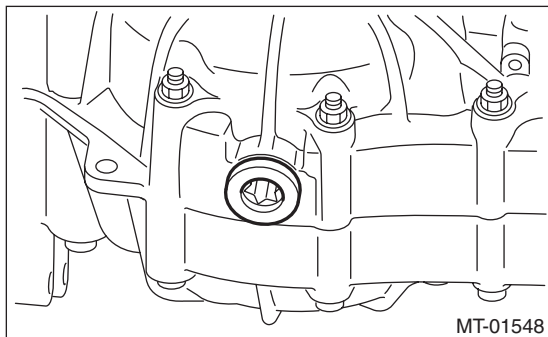
Use a new gasket.

Tightening torque:

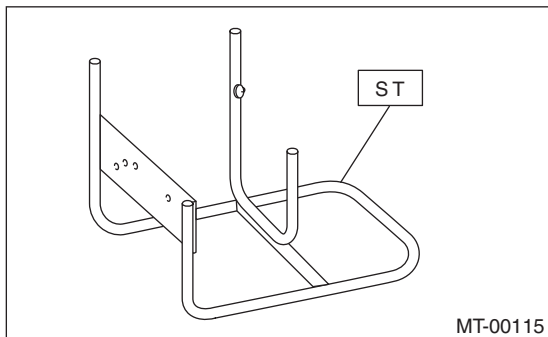
44 N·m (4.5 kgf·m, 32.5 ft·lb) (Aluminum gasket silver)

70 N·m (7.1 kgf·m, 51.6 ft·lb) (Copper gasket brown)

70 N·m (7.1 kgf·m, 51.6 ft·lb) (Metal gasket black)



- 4) Attach the transmission to the ST.
ST 499937100 TRANSMISSION STAND



- 5) Apply oil to rotating parts before assembly.
- 6) All disassembled parts, if to be reused, should be reinstalled in the original positions and directions.
- 7) Gaskets, lock washers and lock nuts must be replaced with new ones.
- 8) Apply liquid gasket to the specified areas to prevent leakage.