

# Center Differential

## MANUAL TRANSMISSION AND DIFFERENTIAL

### 12.Center Differential

#### A: REMOVAL

- 1) Remove the manual transmission assembly from the vehicle. <Ref. to 5MT-23, REMOVAL, Manual Transmission Assembly.>
- 2) Remove the back-up light switch and the neutral position switch. <Ref. to 5MT-35, REMOVAL, Switches and Harness.>
- 3) Remove the transfer case together with the extension case assembly. <Ref. to 5MT-38, REMOVAL, Transfer Case and Extension Case Assembly.>
- 4) Remove the extension case assembly. <Ref. to 5MT-38, REMOVAL, Transfer Case and Extension Case Assembly.>
- 5) Remove the transfer driven gear. <Ref. to 5MT-46, REMOVAL, Transfer Driven Gear.>
- 6) Remove the center differential.

#### B: INSTALLATION

- 1) Attach the center differential to transfer case.
- 2) Install the transfer driven gear. <Ref. to 5MT-46, INSTALLATION, Transfer Driven Gear.>
- 3) Install the extension case assembly. <Ref. to 5MT-38, INSTALLATION, Transfer Case and Extension Case Assembly.>
- 4) Install the transfer case together with the extension case assembly. <Ref. to 5MT-38, INSTALLATION, Transfer Case and Extension Case Assembly.>
- 5) Install the back-up light switch and the neutral position switch. <Ref. to 5MT-35, INSTALLATION, Switches and Harness.>
- 6) Install the manual transmission assembly to the vehicle. <Ref. to 5MT-26, INSTALLATION, Manual Transmission Assembly.>

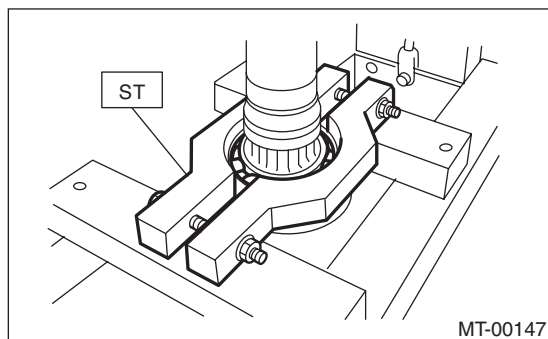
#### C: DISASSEMBLY

Remove the ball bearing using ST.

#### NOTE:

Center differential is a non-disassembled part which should not be disassembled.

ST 498077300 CENTER DIFFERENTIAL BEARING REMOVER



#### D: ASSEMBLY

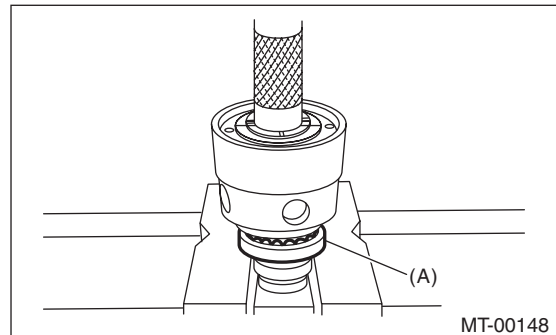
Install the ball bearing to the center differential assembly.

#### CAUTION:

Do not apply a load in excess of 10 kN (1 ton, 1.1 US ton, 1.0 Imp ton).

#### NOTE:

Use a new ball bearing.



(A) Ball bearing

#### E: INSPECTION

##### 1) Bearing

Replace the bearings in the following cases.

- In case of broken or rusty bearings
- In case of worn or damaged bearings
- When the bearings fail to turn smoothly or emit noise in rotation after gear oil lubrication.
- When bearing has other defects.

##### 2) Center differential

If there is wear or damage, replace the center differential case assembly.