

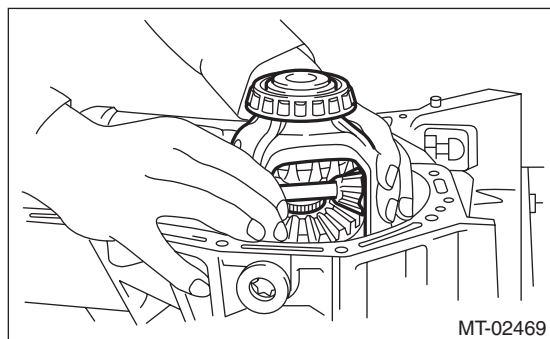
17. Front Differential Assembly

A: REMOVAL

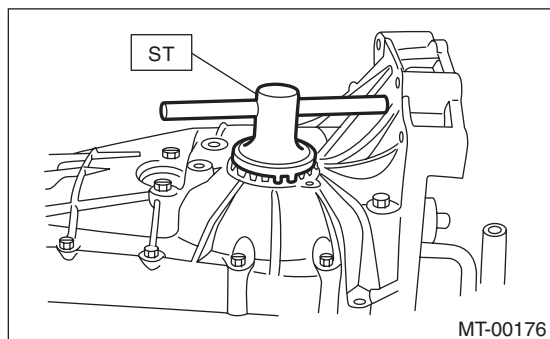
- 1) Remove the manual transmission assembly from the vehicle. <Ref. to 5MT-23, REMOVAL, Manual Transmission Assembly.>
- 2) Remove the transfer case together with the extension case assembly. <Ref. to 5MT-38, REMOVAL, Transfer Case and Extension Case Assembly.>
- 3) Remove the transmission case. <Ref. to 5MT-52, REMOVAL, Transmission Case.>
- 4) Remove the drive pinion shaft assembly. <Ref. to 5MT-61, REMOVAL, Drive Pinion Shaft Assembly.>
- 5) Remove the main shaft assembly. <Ref. to 5MT-56, REMOVAL, Main Shaft Assembly for Single-Range.>
- 6) Remove the front differential assembly.

NOTE:

- Do not confuse the right and left roller bearing outer races.
- Be careful not to damage the oil seal of retainer.



- 7) Remove the differential side retainers using ST. ST 18630AA010 WRENCH COMPL RETAINER



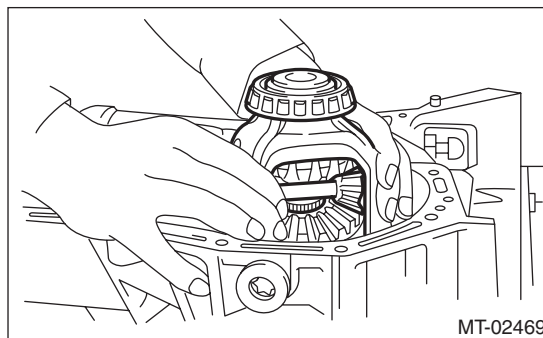
- 8) Remove the bearing outer race from the transmission case. ST 398527700 PULLER ASSY

B: INSTALLATION

- 1) Install the differential side retainers using ST. ST 18630AA010 WRENCH COMPL RETAINER
- 2) Install the bearing outer race to the transmission case.
- 3) Install the front differential assembly.

NOTE:

Be careful not to bend the seal lips of oil seal.



- 4) Install the main shaft assembly. <Ref. to 5MT-56, INSTALLATION, Main Shaft Assembly for Single-Range.>
- 5) Install the drive pinion shaft assembly. <Ref. to 5MT-61, INSTALLATION, Drive Pinion Shaft Assembly.>
- 6) Install the transmission case. <Ref. to 5MT-52, INSTALLATION, Transmission Case.>
- 7) Install the transfer case together with the extension case assembly. <Ref. to 5MT-38, INSTALLATION, Transfer Case and Extension Case Assembly.>
- 8) Install the manual transmission assembly to the vehicle. <Ref. to 5MT-26, INSTALLATION, Manual Transmission Assembly.>

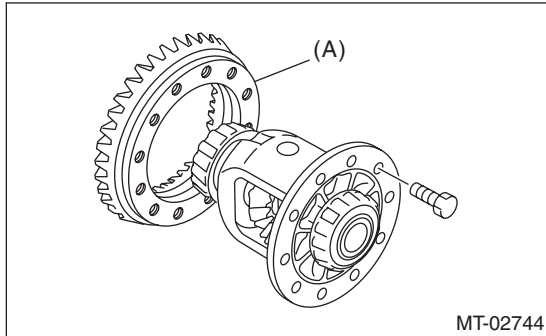
Front Differential Assembly

MANUAL TRANSMISSION AND DIFFERENTIAL

C: DISASSEMBLY

1. DIFFERENTIAL CASE ASSEMBLY

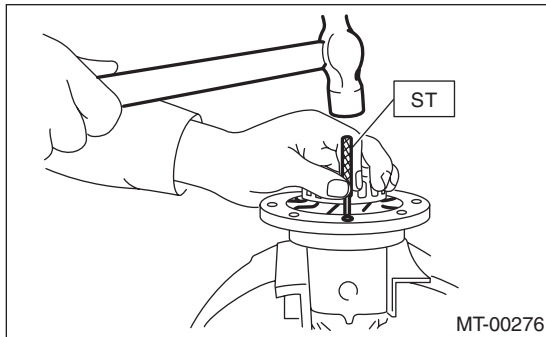
1) Remove the twelve bolts and remove hypoid driven gear.



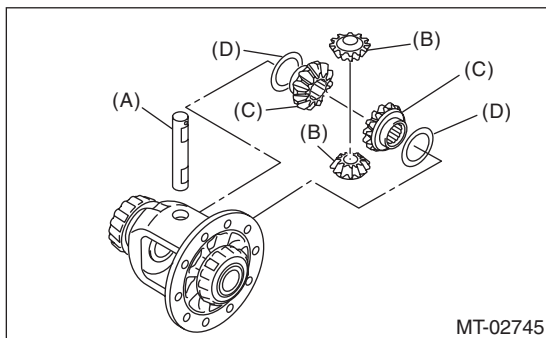
(A) Hypoid driven gear

2) Drive out the straight pin from differential assembly toward hypoid driven gear side.

ST 899904100 STRAIGHT PIN REMOVER

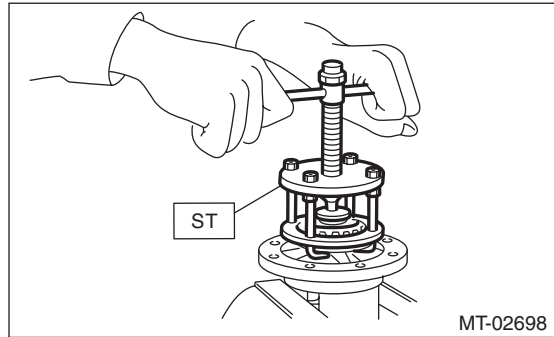


3) Pull out the pinion shaft, and remove the differential bevel pinion, differential bevel gear and washer.



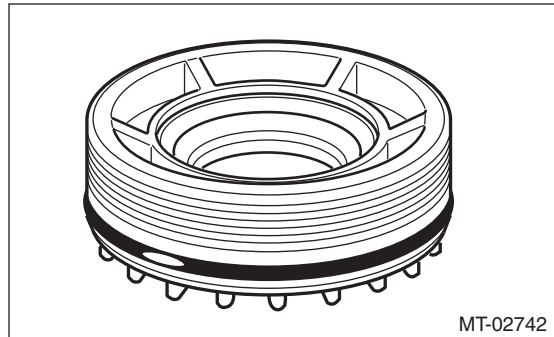
- (A) Pinion shaft
- (B) Differential bevel pinion
- (C) Differential bevel gear
- (D) Washer

4) Using the ST, remove the roller bearing.
ST 899524100 PULLER SET



2. SIDE RETAINER

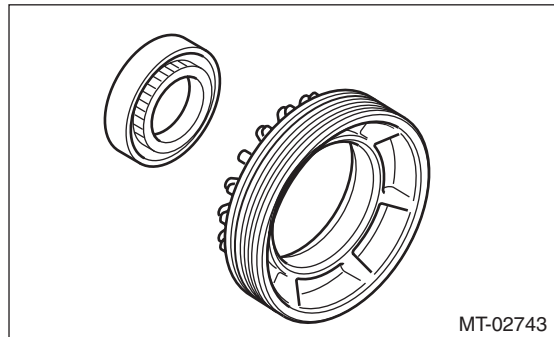
1) Remove the O-ring.



2) Remove the oil seal.

NOTE:

Remove it using a flat tip screwdriver wrapped with cloth or tape, etc.



Front Differential Assembly

MANUAL TRANSMISSION AND DIFFERENTIAL

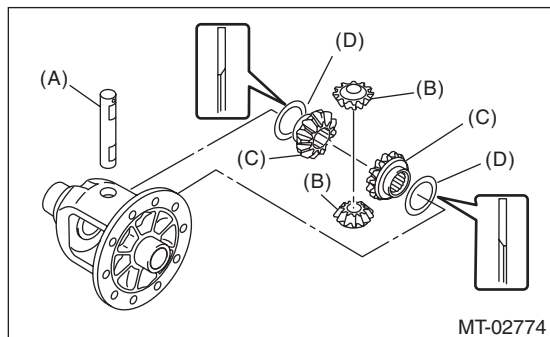
D: ASSEMBLY

1. DIFFERENTIAL CASE ASSEMBLY

1) Install the differential bevel gear and differential bevel pinion together with washer, and insert the pinion shaft.

NOTE:

Face the chamfered side of washer toward gear.



- (A) Pinion shaft
- (B) Differential bevel pinion
- (C) Differential bevel gear
- (D) Washer

2) Measure the backlash between differential bevel gear and differential pinion. If the backlash is out of the specified range, install a suitable washer to adjust. <Ref. to 5MT-76, BEVEL PINION GEAR BACKLASH, ADJUSTMENT, Front Differential Assembly.>

NOTE:

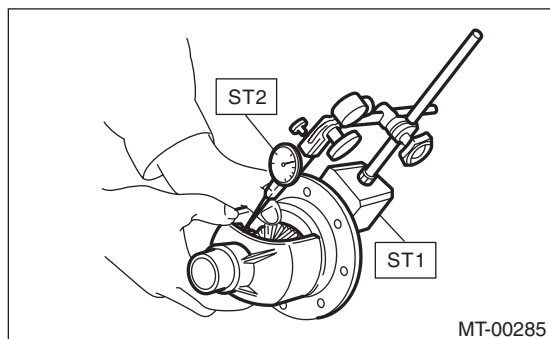
Be sure the pinion gear teeth contacts adjacent gear teeth during measurement.

ST1 498247001 MAGNET BASE

ST2 498247100 DIAL GAUGE

Standard backlash

0.13 — 0.18 mm (0.0051 — 0.0071 in)

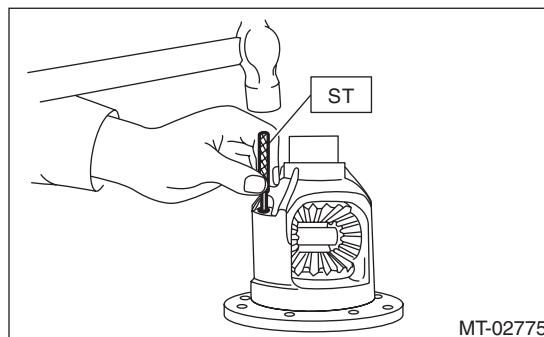


3) Align the pinion shaft and differential case with each hole, and drive the straight pin into the holes from the hypoid driven gear side using the ST.

NOTE:

- Use a new straight pin.
- Lock the straight pin after installing.

ST 899904100 STRAIGHT PIN REMOVER



4) Install the roller bearing to differential case.

CAUTION:

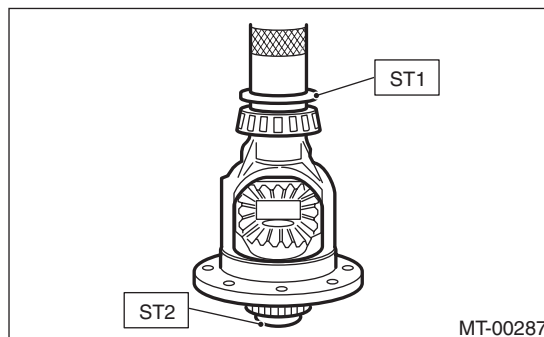
Do not apply a load in excess of 10 kN (1 ton, 1.1 US ton, 1.0 Imp ton).

NOTE:

Be careful because the roller bearing outer races are used as a set.

ST1 499277100 BUSHING 1-2 INSTALLER

ST2 398497701 ADAPTER



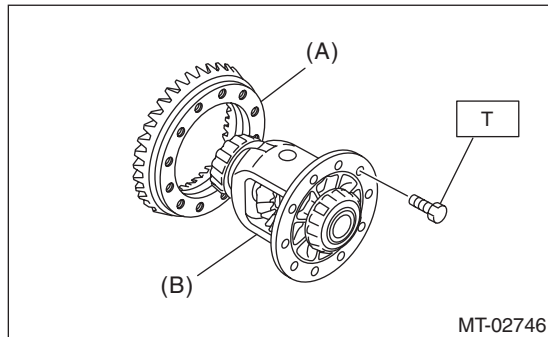
Front Differential Assembly

MANUAL TRANSMISSION AND DIFFERENTIAL

5) Install the hypoid driven gear to the differential case using twelve bolts.

Tightening torque:

T: 62 N·m (6.3 kgf-m, 45.7 ft-lb)

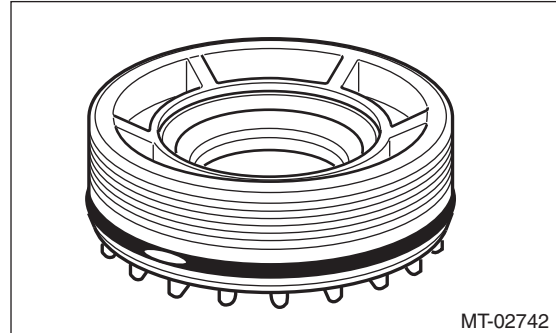


- (A) Hypoid driven gear
- (B) Differential case

2) Install the O-ring.

NOTE:

- Use new O-rings.
- Apply gear oil to O-ring.
- Do not stretch or damage the O-ring.
- Install the O-ring after adjusting the backlash of the hypoid gear and the preload of the roller bearing.



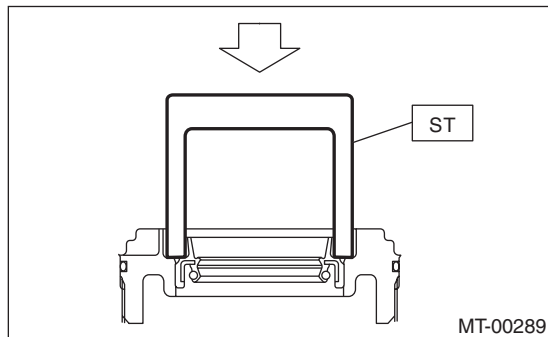
2. SIDE RETAINER

1) Using the ST, install the oil seal by lightly tapping with a plastic hammer.

NOTE:

- Use a new oil seal.
- Apply transmission gear oil to the oil seal lips, and install the oil seal while being careful not to deform the lip.
- Check the identification marks (R, L), and attach the oil seal RH and LH.

ST 18675AA000 DIFFERENTIAL SIDE OIL SEAL INSTALLER



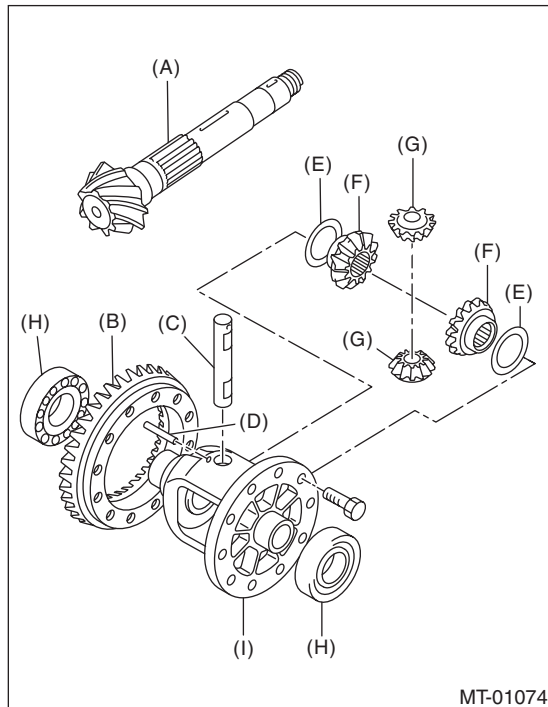
Front Differential Assembly

MANUAL TRANSMISSION AND DIFFERENTIAL

E: INSPECTION

Repair or replace the differential gear in the following cases:

- When the hypoid drive gear and drive pinion shaft tooth surfaces are damaged, excessively worn, or seized.
- When the roller bearing on the drive pinion shaft has a worn or damaged roller path.
- When there is damage, wear or seizure of the differential bevel pinion, differential bevel gear, washer, pinion shaft or straight pin.
- When the differential case sliding surfaces are worn or damaged.



- (A) Drive pinion shaft
- (B) Hypoid driven gear
- (C) Pinion shaft
- (D) Straight pin
- (E) Washer
- (F) Differential bevel gear
- (G) Differential bevel pinion
- (H) Roller bearing
- (I) Differential case

1. BEVEL PINION GEAR BACKLASH

Measure the backlash between the differential bevel gear and differential bevel pinion. If the backlash is out of the specified range, install a suitable washer to adjust. <Ref. to 5MT-76, ADJUSTMENT, Front Differential Assembly.>

NOTE:

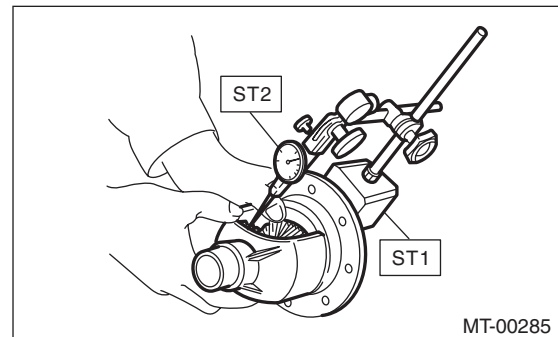
Be sure the pinion gear teeth contacts adjacent gear teeth during measurement.

ST1 498247001 MAGNET BASE

ST2 498247100 DIAL GAUGE

Standard backlash

0.13 — 0.18 mm (0.0051 — 0.0071 in)



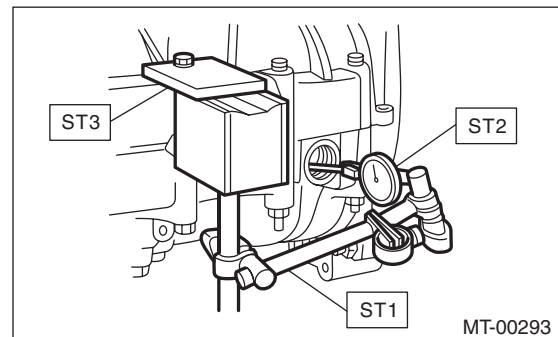
2. HYPOID GEAR BACKLASH

1) Set the ST1, ST2 and ST3. Insert the needle through drain plug hole so that the needle comes in contact with the tooth surface on the right corner, and check the backlash.

ST1 498247001 MAGNET BASE

ST2 498247100 DIAL GAUGE

ST3 498255400 PLATE



2) Install SUBARU genuine axle shafts to both sides, rotate in the inversion direction so that the gauge contacts the tooth surface, and read the DIAL GAUGE.

NOTE:

If the backlash is outside the specified range, adjust it by turning the side retainer in the right side case.

Part No. 38415AA100 Axle shaft

Backlash

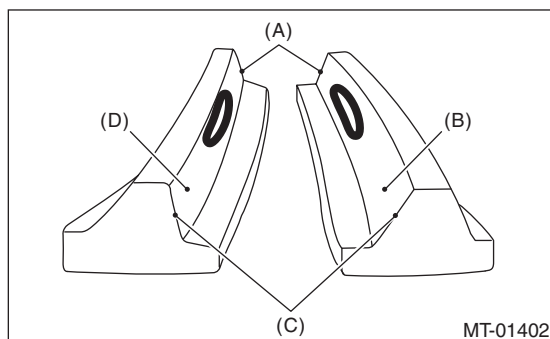
0.13 — 0.18 mm (0.0051 — 0.0071 in)

Front Differential Assembly

3. TOOTH CONTACT OF HYPOID GEAR

Check tooth contact of hypoid gear as follows: Apply a thin uniform coat of red lead on both teeth surfaces on 3 or 4 teeth of the hypoid gear. Move the hypoid gear back and forth by turning the main shaft until a definite contact pattern is developed on the hypoid gear, and judge whether face contact is correct. When the contact pattern is not correct, adjust. <Ref. to 5MT-76, ADJUSTMENT, Front Differential Assembly.>

- Tooth contact is correct.



- (A) Toe
- (B) Coast side
- (C) Heel
- (D) Drive side

F: ADJUSTMENT

1. BEVEL PINION GEAR BACKLASH

- 1) Disassemble the front differential assembly. <Ref. to 5MT-72, DISASSEMBLY, Front Differential Assembly.>
- 2) Select a differential bevel gear washer from the table and install.

Washer	
Part No.	Thickness mm (in)
803038021	0.925 — 0.950 (0.0364 — 0.0374)
803038022	0.975 — 1.000 (0.0384 — 0.0394)
803038023	1.025 — 1.050 (0.0404 — 0.0413)

- 3) Adjust until the standard value is obtained.

Backlash:

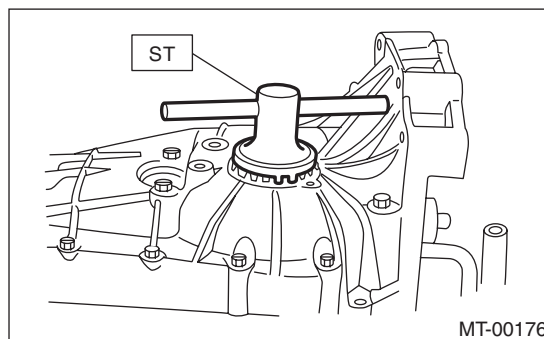
Standard

0.13 — 0.18 mm (0.0051 — 0.0071 in)

2. HYPOID GEAR BACKLASH

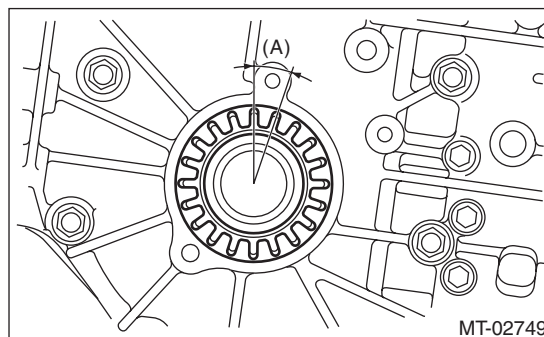
Adjust the backlash by rotating the side retainer in the RH side case.

ST 18630AA010 WRENCH COMPL RETAINER



NOTE:

Each time the side retainer rotates by one notch (A), the backlash changes by 0.05 mm (0.020 in).



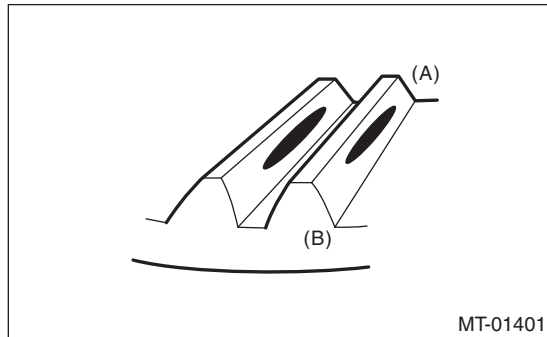
Front Differential Assembly

3. TOOTH CONTACT OF HYPOID GEAR

- 1) Adjust until correct teeth contact is obtained.
- 2) Check tooth contact, and perform the adjustment as follows.

- Correct tooth contact

Check item: Tooth contact surface is slightly shifted toward the toe side under a no-load condition. (When driving, it moves towards the heel side.)

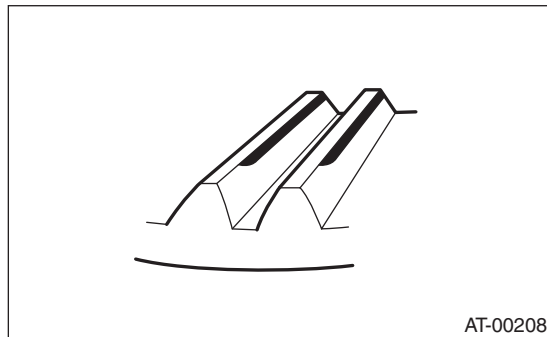


- (A) Toe side
- (B) Heel side

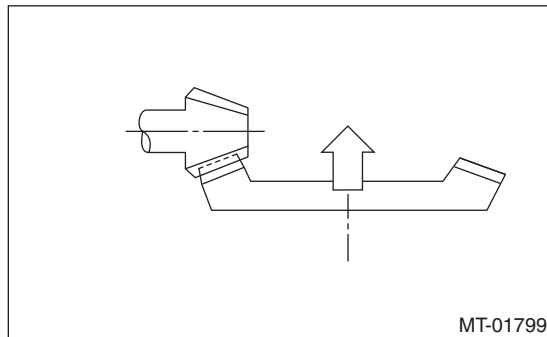
- Face contact

Check item: Backlash is too large.

Contact pattern



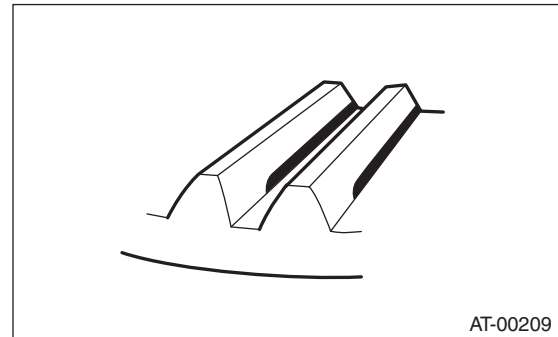
Corrective action: Tighten the side retainer to move the driven gear closer to the drive pinion shaft.



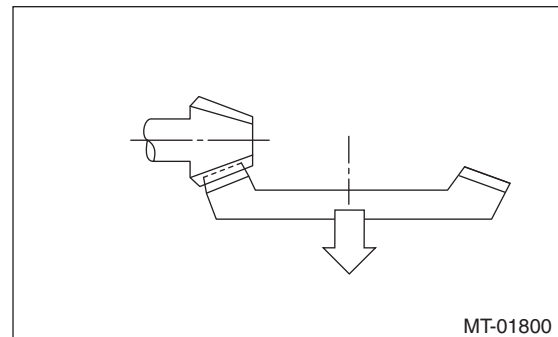
- Flank contact

Check item: Backlash is too small.

Contact pattern



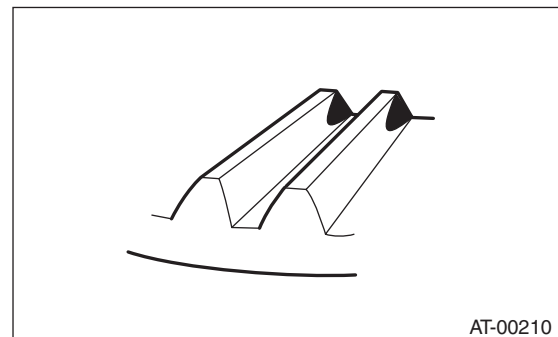
Corrective action: Loosen the side retainer to move the driven gear away from the drive pinion shaft.



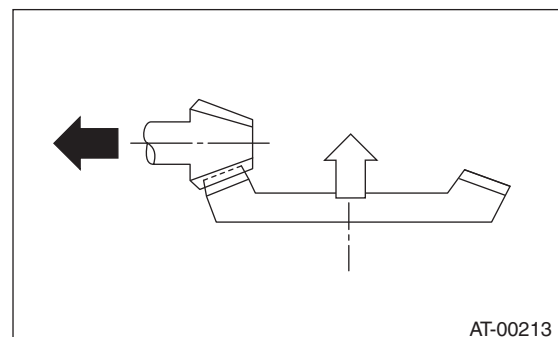
- Toe contact (inside contact)

Check item: Teeth contact area is too small.

Contact pattern



Corrective action: Increase the thickness of drive pinion shim and tighten the side retainer to move the driven gear closer to the drive pinion shaft according to the procedure for bringing drive pinion shaft away from driven gear.



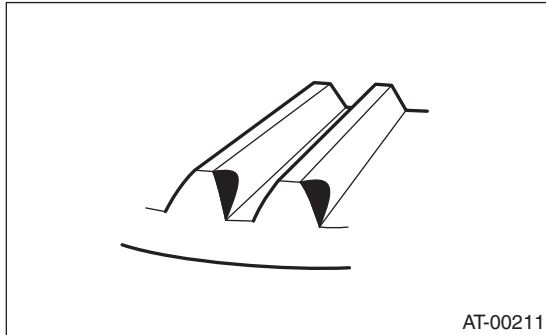
Front Differential Assembly

MANUAL TRANSMISSION AND DIFFERENTIAL

- Heel contact (outside end contact)

Check item: Teeth contact area is too small.

Contact pattern



Corrective action: Reduce the thickness of drive pinion shim and loosen the side retainer to move the driven gear away from the drive pinion according to the procedure for moving drive pinion shaft closer to the driven gear.

