

2. Clutch Disc and Cover

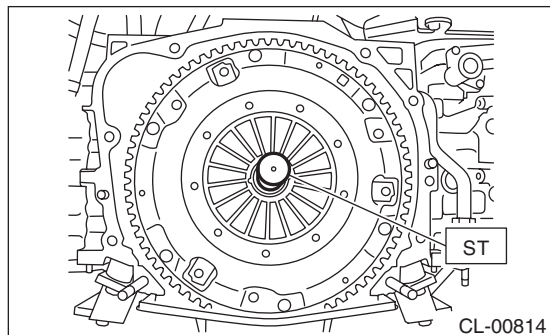
A: REMOVAL

1) Remove the transmission assembly from the vehicle.

<Ref. to 5MT-23, REMOVAL, Manual Transmission Assembly.>

2) Attach the ST on the flywheel.

ST 499747100 CLUTCH DISC GUIDE



3) Remove the clutch cover and clutch disc.

NOTE:

- Take care not to allow oil to touch the clutch disc face.
- Do not disassemble the clutch cover or clutch disc.

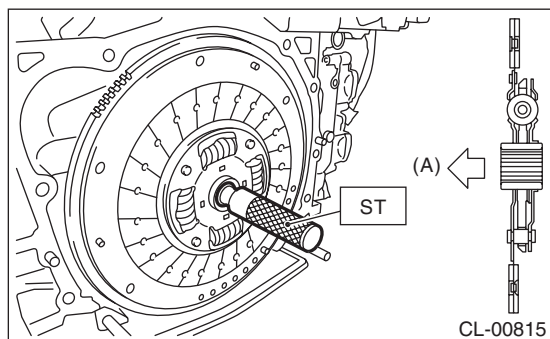
B: INSTALLATION

1) Insert the ST into the clutch disc and attach to the flywheel by inserting the ST end into pilot bearing.

NOTE:

When installing the clutch disc, be careful to attach in the correct direction.

ST 499747100 CLUTCH DISC GUIDE



(A) Flywheel side

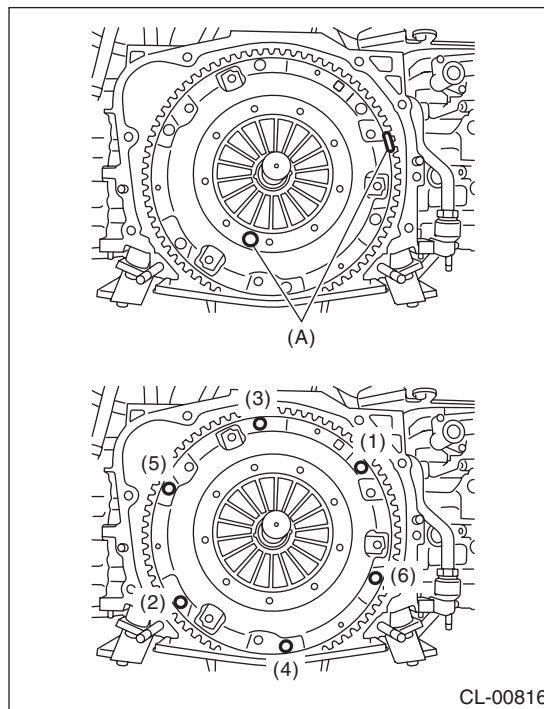
2) Install the clutch cover to the flywheel and tighten the bolts to the specified torque.

NOTE:

- When installing a clutch cover to the flywheel, position the clutch cover so that the spacing between the unbalance marks (paint mark) on the flywheel and clutch cover is 120° or more apart. (The unbalance mark indicates the direction of residual unbalance.)
- Temporarily tighten the bolts by hand. Each bolt should be tightened to the specified torque in a crisscross order.

Tightening torque:

16 N·m (1.6 kgf·m, 11.8 ft·lb)



(A) Unbalance mark (paint)

3) Remove the ST.

ST 499747100 CLUTCH DISC GUIDE

4) Install the transmission assembly. <Ref. to 5MT-26, INSTALLATION, Manual Transmission Assembly.>

Clutch Disc and Cover

CLUTCH SYSTEM

C: INSPECTION

1. CLUTCH DISC

1) Facing wear

Measure the depth from the facing surface to the rivet head. Replace if the face is worn locally or worn down to less than the specified value.

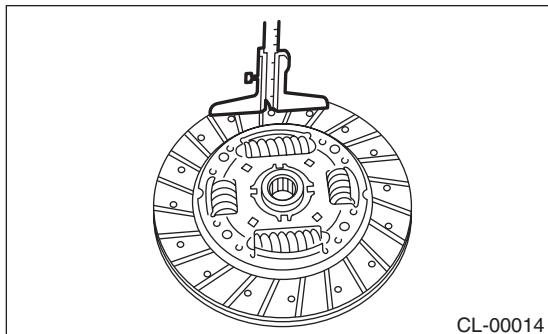
Depth to rivet head:

Limit of sinking

0.8 mm (0.031 in)

NOTE:

Do not wash the clutch disc with any type of cleaning fluid.

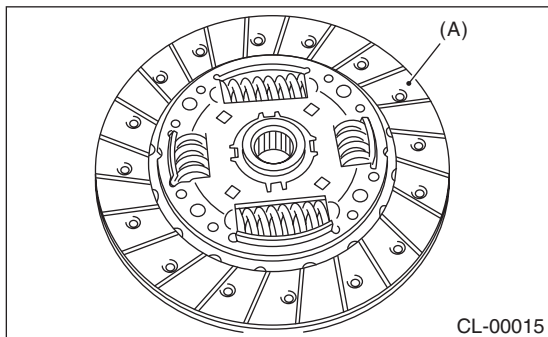


2) Hardened facing

Replace the clutch disc.

3) Oil soakage on facing

Replace the clutch disc and inspect the transmission front oil seal, transmission case mating surface, engine rear oil seal and other locations for oil leakage.



(A) Clutch facing

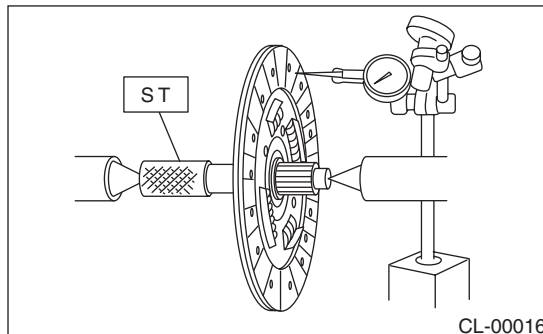
4) Deflection on facing

If deflection exceeds the specified value at the outer circumference of the facing, replace the clutch disc.

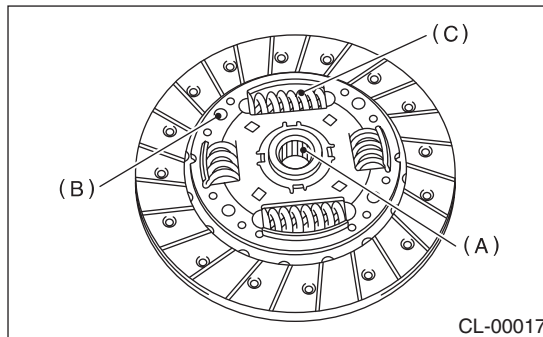
ST 499747100 CLUTCH DISC GUIDE

Limit for deflection:

0.7 mm (0.028 in) at R = 110 mm (4.33 in)



5) If there is spline wear, loose rivets, failed damper springs, etc., replace the clutch disc.



(A) Spline

(B) Rivet

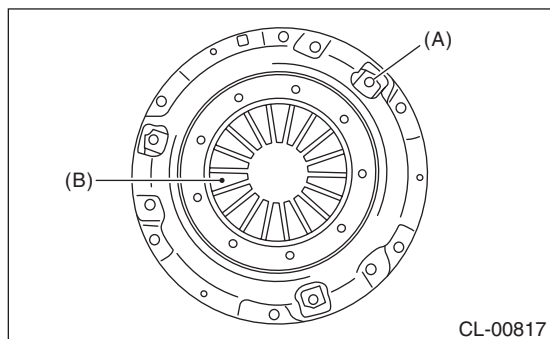
(C) Damper spring

2. CLUTCH COVER

NOTE:

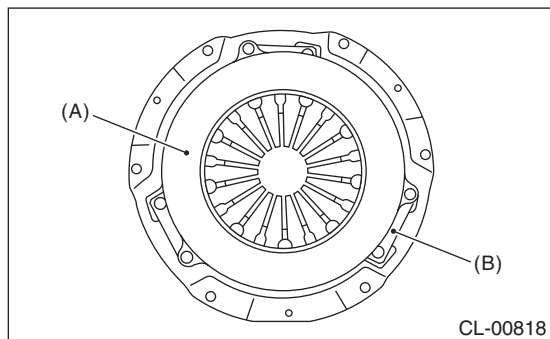
Visually check the following items without disassembling, and replace or repair if defective.

- 1) Loose thrust rivet
- 2) Damaged or worn bearing contact area at the center of diaphragm spring



- (A) Thrust rivet
- (B) Diaphragm spring

- 3) Damaged or worn disc contact surface of the pressure plate
- 4) Loose strap plate installation area
- 5) Worn diaphragm sliding area



- (A) Pressure plate
- (B) Strap plate