

4. Release Bearing and Lever

A: REMOVAL

1) Remove the transmission assembly from the vehicle.

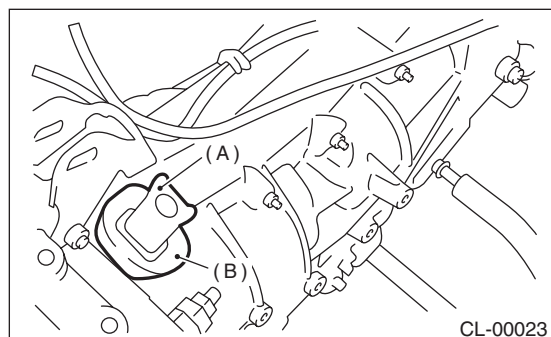
<Ref. to 5MT-23, REMOVAL, Manual Transmission Assembly.>

2) Remove the two clips from the release lever and remove the release bearing.

CAUTION:

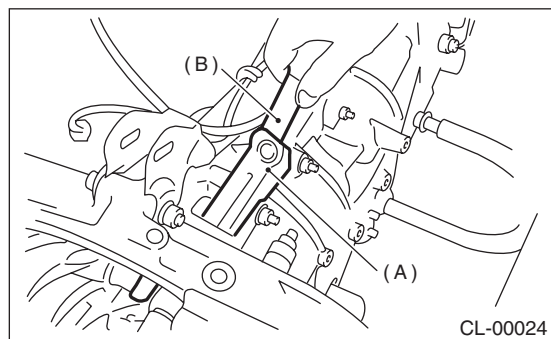
Be careful not to deform the clips.

3) Remove the dust cover.



(A) Release lever
(B) Dust cover

4) Remove the lever spring from the pivot with a screwdriver by accessing it through the clutch housing release lever hole. Then remove the release lever.



(A) Release lever
(B) Screwdriver

B: INSTALLATION

NOTE:

Apply the specified grease to lubricate to the following points before installation.

- Contact surface of lever and pivot
- Contact surface of lever and bearing
- Transmission main shaft spline
- Contact surface of release bearing and transmission case

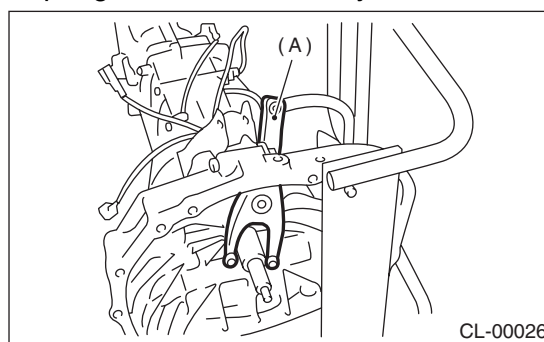
Grease

NICHIMOLY N-130 or equivalent

1) While pushing the release lever to the pivot and twisting it to both sides, fit the lever spring onto the raised portion of the pivot.

NOTE:

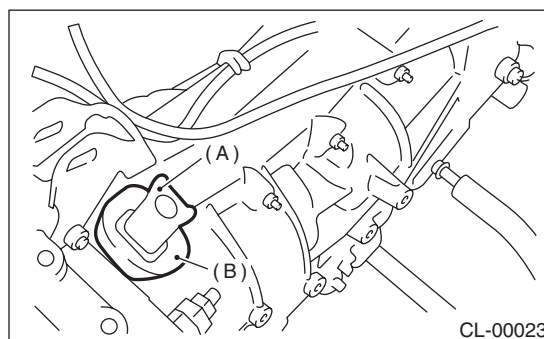
Observing from the main case hole, check that the lever spring is installed securely.



(A) Release lever

2) Install the release bearing and fasten it with two clips.

3) Install the dust cover.



(A) Release lever
(B) Dust cover

4) Check the bearing for smooth movement by operating the release lever.

5) Apply grease to the contact point of the release lever and operating cylinder.

Grease

NICHIMOLY N-130 or equivalent

Release Bearing and Lever

CLUTCH SYSTEM

6) Install the transmission assembly. <Ref. to 5MT-26, INSTALLATION, Manual Transmission Assembly.>

C: INSPECTION

1. RELEASE BEARING

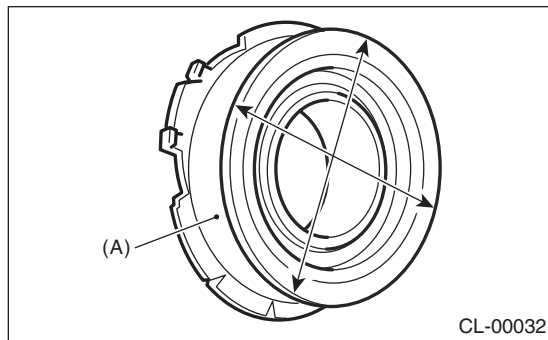
CAUTION:

Since this bearing is grease-sealed and is a non-lubrication type, do not wash with gasoline or any other solvent when servicing the clutch.

1) Check the bearing for smooth movement by applying force to the bearing in the radial direction.

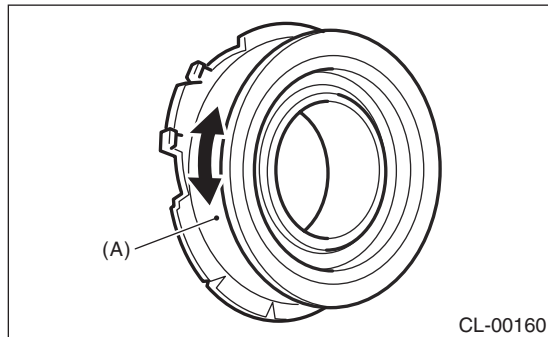
Radial direction stroke:

1.6 mm (0.063 in)



(A) Bearing case

2) While applying force to the bearing in the rotational direction, check the bearing for smooth rotation.

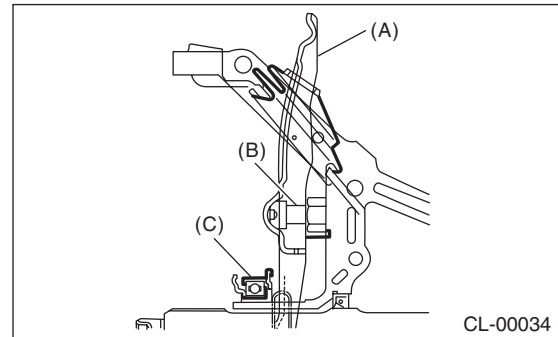


(A) Bearing case

3) Check for wear and damage at the bearing case surface in contact with the lever.

2. RELEASE LEVER

Check the pivot portion of the lever and the contact area with the release bearing case for wear.



- (A) Release lever
- (B) Pivot
- (C) Release bearing