

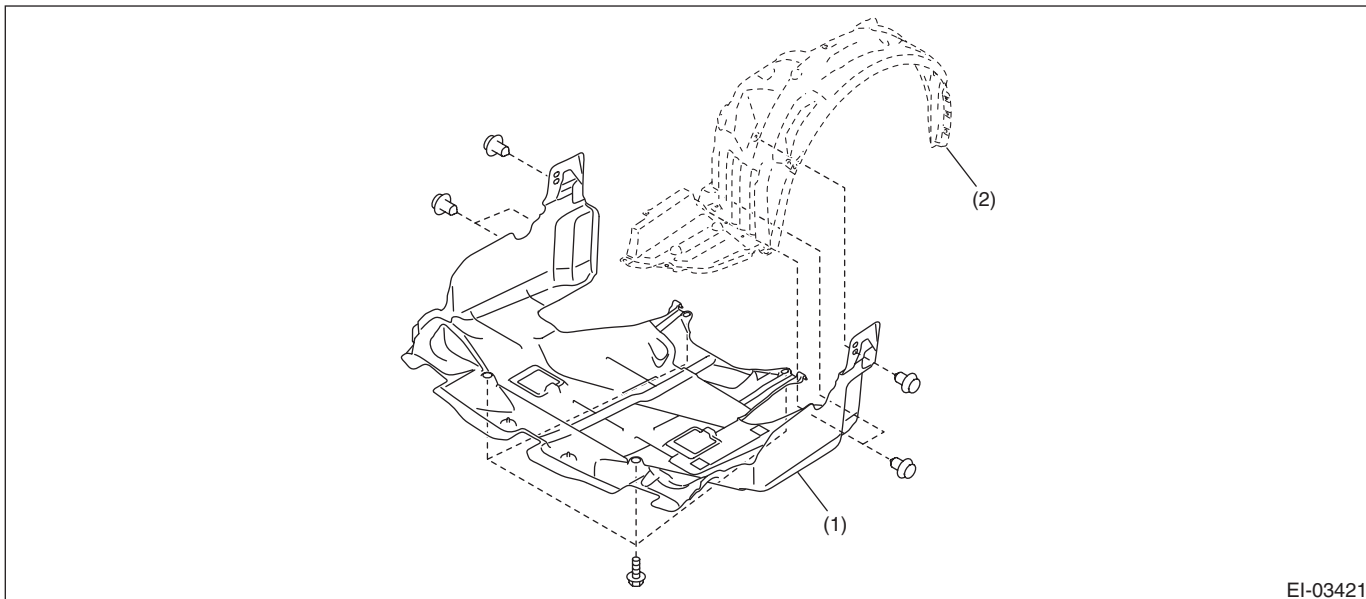
Front Crossmember Support Plate

FRONT SUSPENSION

4. Front Crossmember Support Plate

A: REMOVAL

- 1) Lift up the vehicle.
- 2) Remove the bolts and clips, and remove the under cover - front.

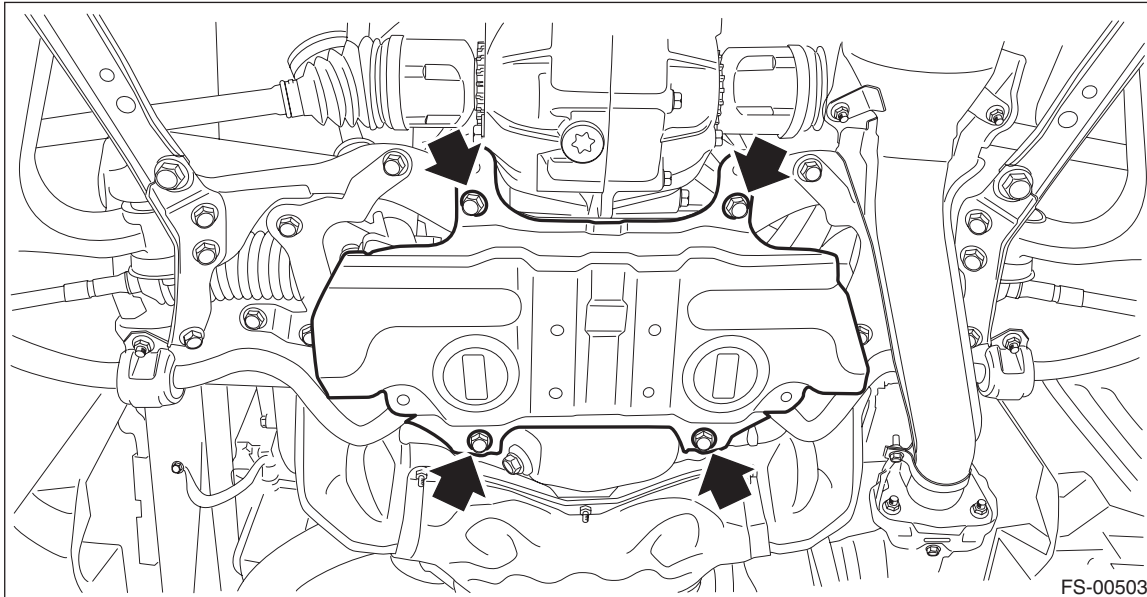


EI-03421

(1) Under cover - front

(2) Mud guard - front

- 3) Remove the bolt, and remove the front crossmember support.



FS-00503

B: INSTALLATION

Install each part in the reverse order of removal.

Tightening torque:

Front crossmember support — front crossmember assembly: 60 N·m (6.12 kgf-m, 44.3 ft-lb)
Under cover - front: 17.5 N·m (1.78 kgf-m, 12.9 ft-lb)