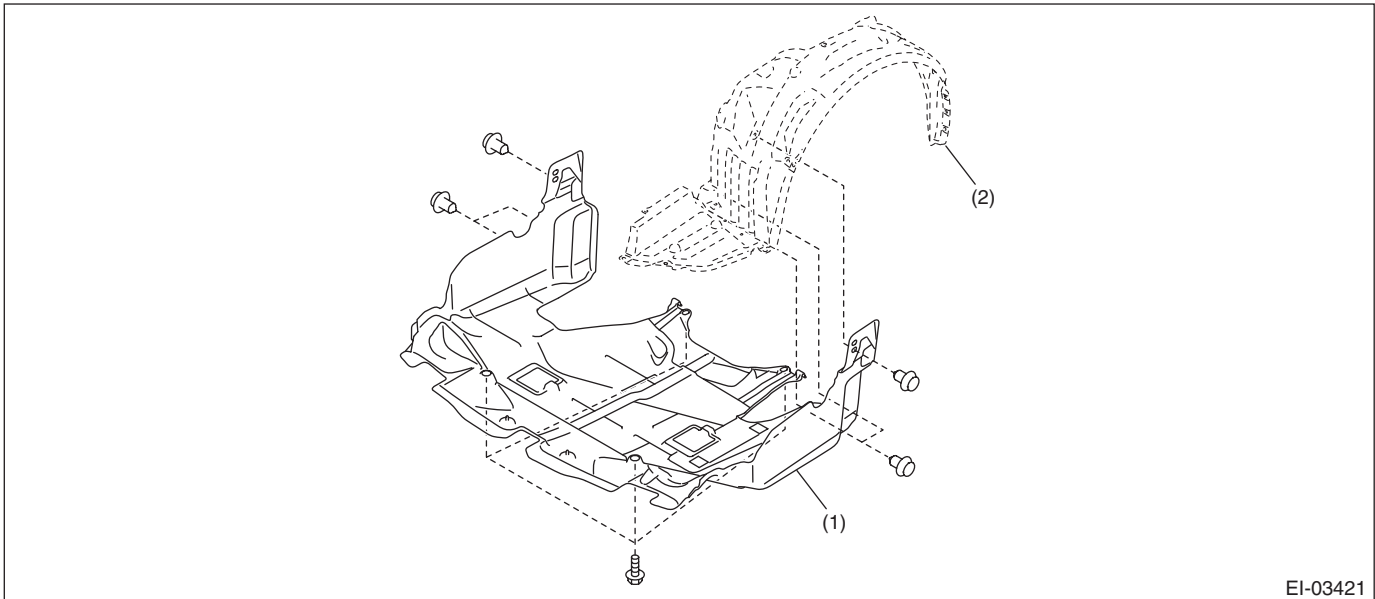


5. Front Stabilizer

A: REMOVAL

- 1) Lift up the vehicle, and then remove the left and right front wheels.
- 2) Remove the bolts and clips, and remove the under cover - front.

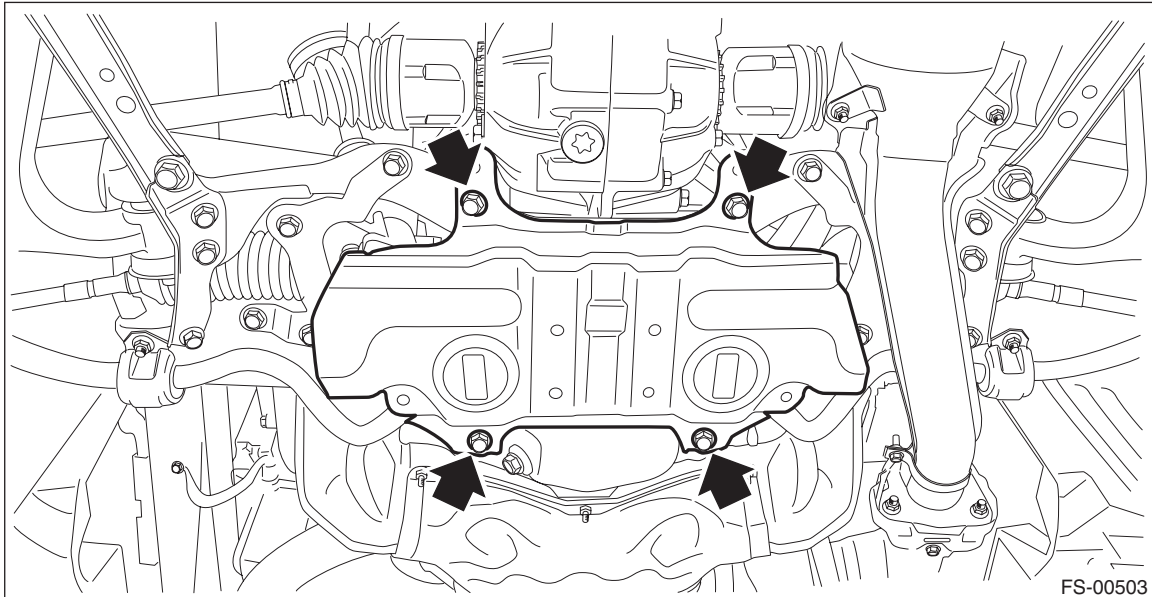


EI-03421

(1) Under cover - front

(2) Mud guard - front

- 3) Remove the bolt, and remove the front crossmember support.

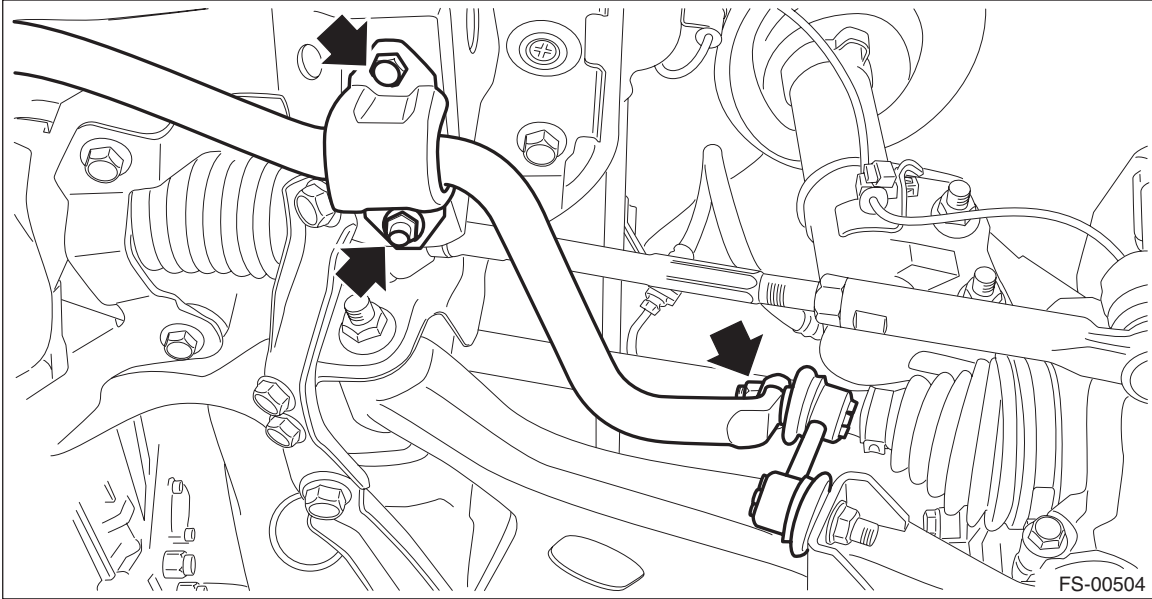


FS-00503

Front Stabilizer

FRONT SUSPENSION

- 4) Remove the front stabilizer.
 - (1) Remove the left and right stabilizer links.
 - (2) Remove the clamp - stabilizer bushing on the left and right sides.



B: INSTALLATION

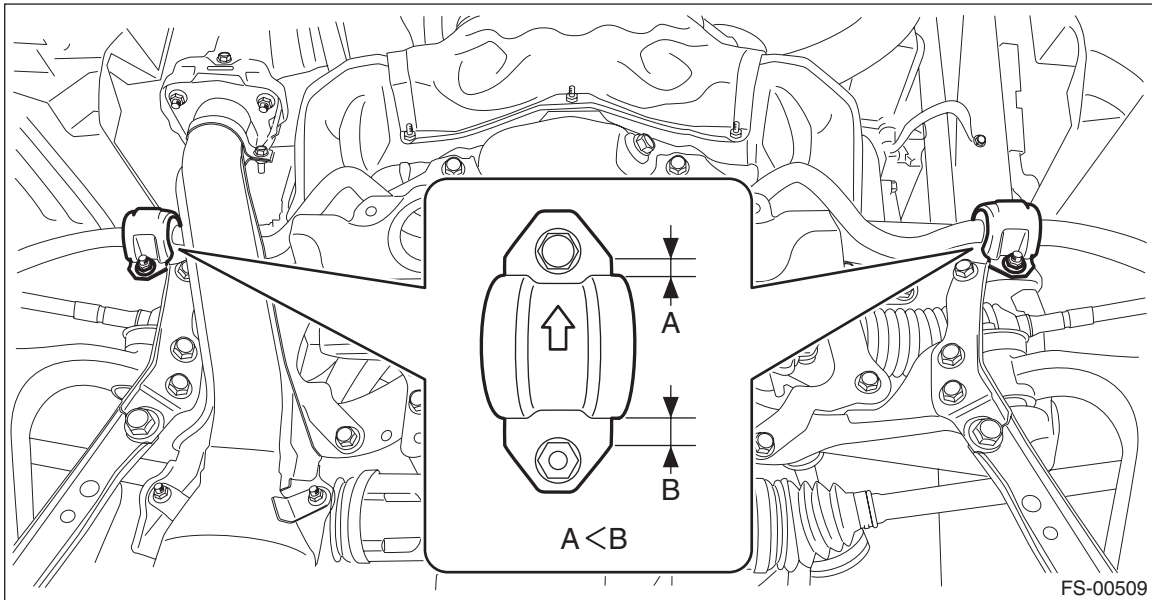
1) Before installation, inspect the following items and replace any faulty part with a new one.

- Check the bushing - stabilizer for abnormal cracks, fatigue or damage.
- Check the stabilizer link assembly for damage.

2) Install each part in the reverse order of removal.

CAUTION:

Install the clamp - stabilizer bushing with the arrow mark facing the front of the vehicle.



Tightening torque:

Clamp - stabilizer bushing: 25 N·m (2.55 kgf-m, 18.4 ft-lb)

Stabilizer link assembly: 38 N·m (3.87 kgf-m, 28.0 ft-lb)

Support plate - front crossmember: 60 N·m (6.12 kgf-m, 44.3 ft-lb)

Under cover - front: 17.5 N·m (1.78 kgf-m, 12.9 ft-lb)

3) Install the front wheels.

Tightening torque:

120 N·m (12.24 kgf-m, 88.5 ft-lb)