

# Rear Stabilizer

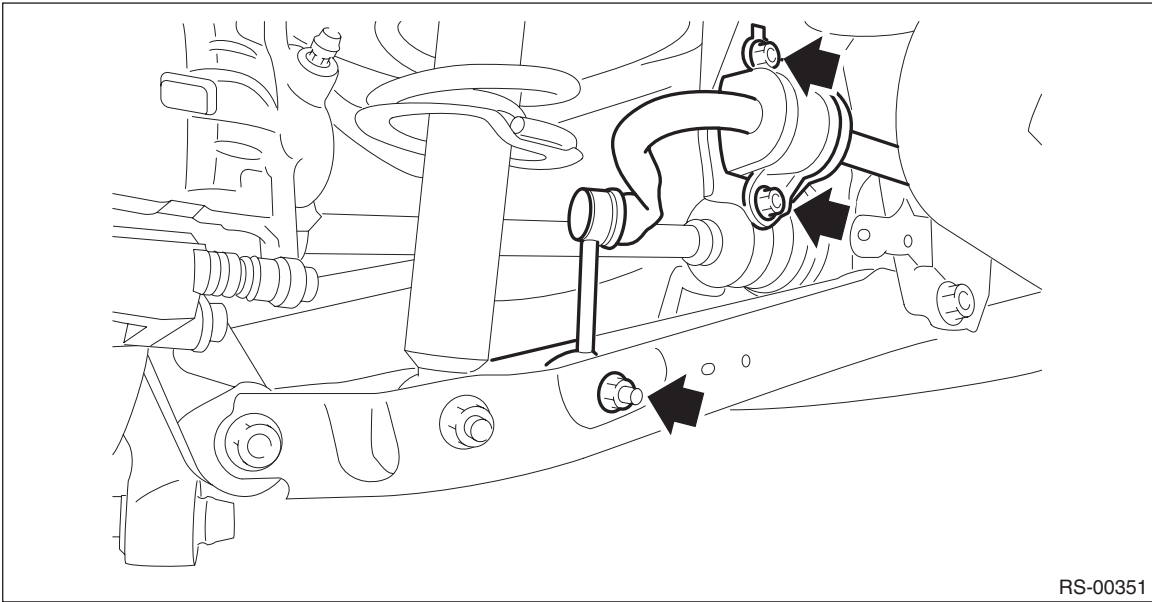
## REAR SUSPENSION

---

### 4. Rear Stabilizer

#### A: REMOVAL

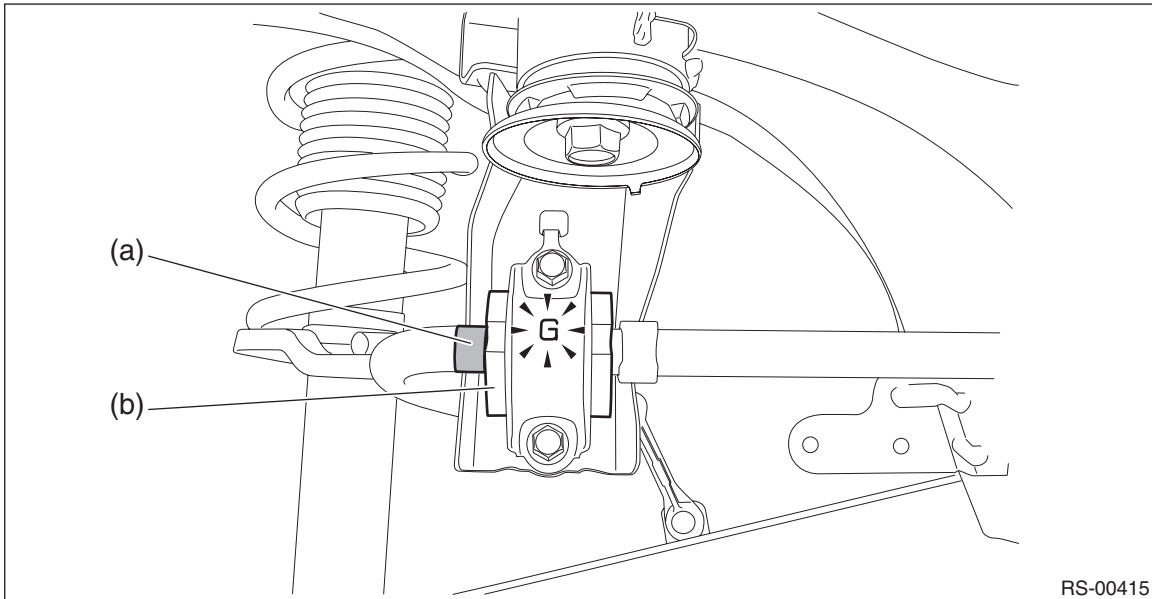
- 1) Lift up the vehicle, and then remove the rear wheels.
- 2) Remove the rear stabilizer.
  - (1) Remove the left and right stabilizer link assemblies.
  - (2) Detach the clamp - stabilizer bushing and remove the rear stabilizer.



RS-00351

**B: INSTALLATION****CAUTION:**

- Be sure to use a new flange nut and self-locking nut.
- Always tighten the bushing in the state where the vehicle is at curb weight and the wheels are in full contact with the ground.
- Install the clamp - stabilizer bushing with the "G" character facing upward.
- When installing, align the edge of identification paint (a) to the end face of the bushing (b).



- 1) Before installation, inspect the following items and replace any faulty part with a new one.
  - Check the bushing - stabilizer for abnormal cracks, fatigue or damage.
  - Check the stabilizer link assembly for damage.
- 2) Install each part in the reverse order of removal.

**Tightening torque:**

**Clamp - stabilizer bushing: 30 N·m (3.06 kgf-m, 22.1 ft-lb)**

**Stabilizer link assembly: 38 N·m (3.87 kgf-m, 28.0 ft-lb)**

- 3) Install the rear wheels.

**Tightening torque:**

**120 N·m (12.24 kgf-m, 88.5 ft-lb)**