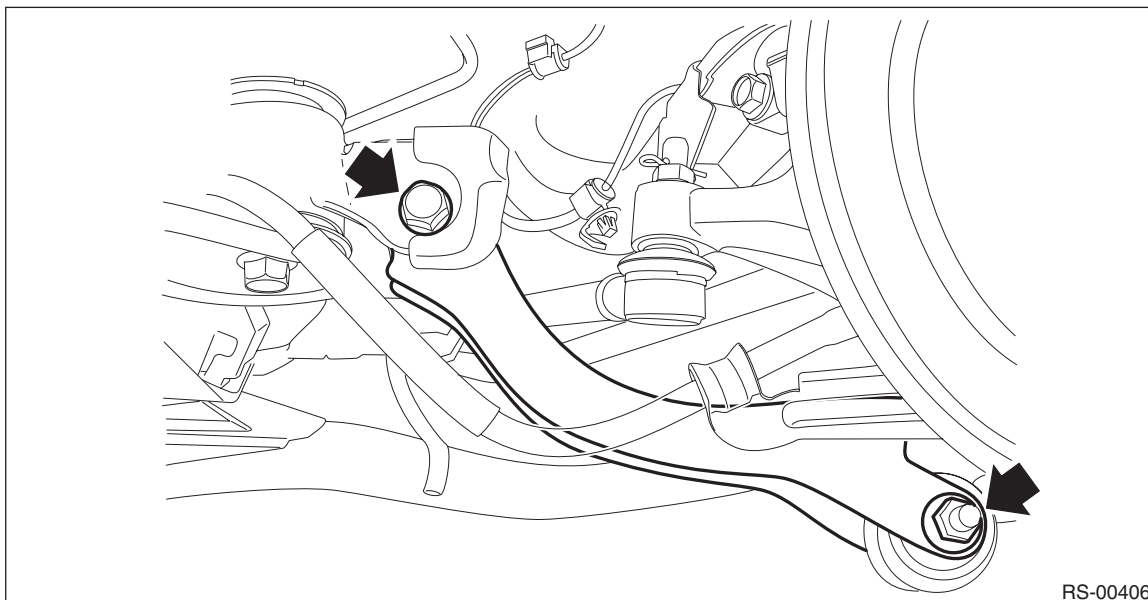


7. Front Lateral Link

A: REMOVAL

- 1) Lift up the vehicle, and then remove the rear wheels.
- 2) Remove the bolts and nuts, and then remove the trailing link.



RS-00406

- 3) Remove the lateral link assembly - front.
 - (1) Remove the snap pin (a) and nut (b).
 - (2) Remove the ball joint from the housing assembly - rear axle.

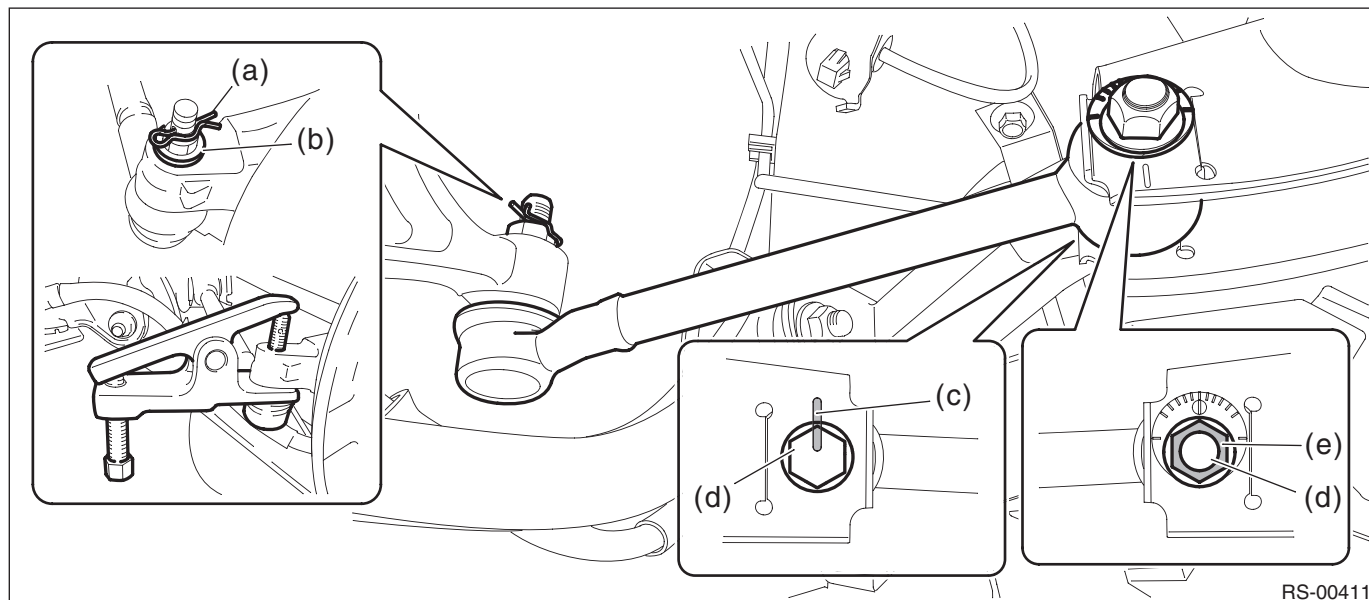
Preparation tool:

Tie-rod ball joint puller

- (3) Scribe alignment marks (c) on the adjusting bolt for lateral link assembly - front and on the rear sub frame assembly.
- (4) Remove the adjusting bolt (d), and remove the lateral link assembly - front.

CAUTION:

When removing the adjusting bolt (d), make sure to fix the bolt head in place when loosening the nut (e).



RS-00411

Front Lateral Link

REAR SUSPENSION

B: INSTALLATION

CAUTION:

- Be sure to use a new self-locking nut.
- Always tighten the bushing in the state where the vehicle is at curb weight and the wheels are in full contact with the ground.

1) Before installation, inspect the following items and replace any faulty part with a new one.

- Visually check the lateral link assembly - front for damage and deformation.
- Visually check the bushing for abnormal cracks, fatigue or damage.
- Visually check the dust cover on the ball joint for abnormal cracks, fatigue or damage.

2) Install each part in the reverse order of removal.

Tightening torque:

Lateral link assembly - front — rear sub frame assembly: 100 N·m (10.20 kgf·m, 73.8 ft-lb)

Lateral link assembly - front — housing assembly - rear axle: 60 N·m (6.12 kgf·m, 44.3 ft-lb)

3) Install the rear wheels.

Tightening torque:

120 N·m (12.24 kgf·m, 88.5 ft-lb)

4) Inspect the wheel alignment and adjust if necessary.

- Inspection: <Ref. to FS-7, INSPECTION, Wheel Alignment.>
- Adjustment: <Ref. to FS-12, ADJUSTMENT, Wheel Alignment.>

CAUTION:

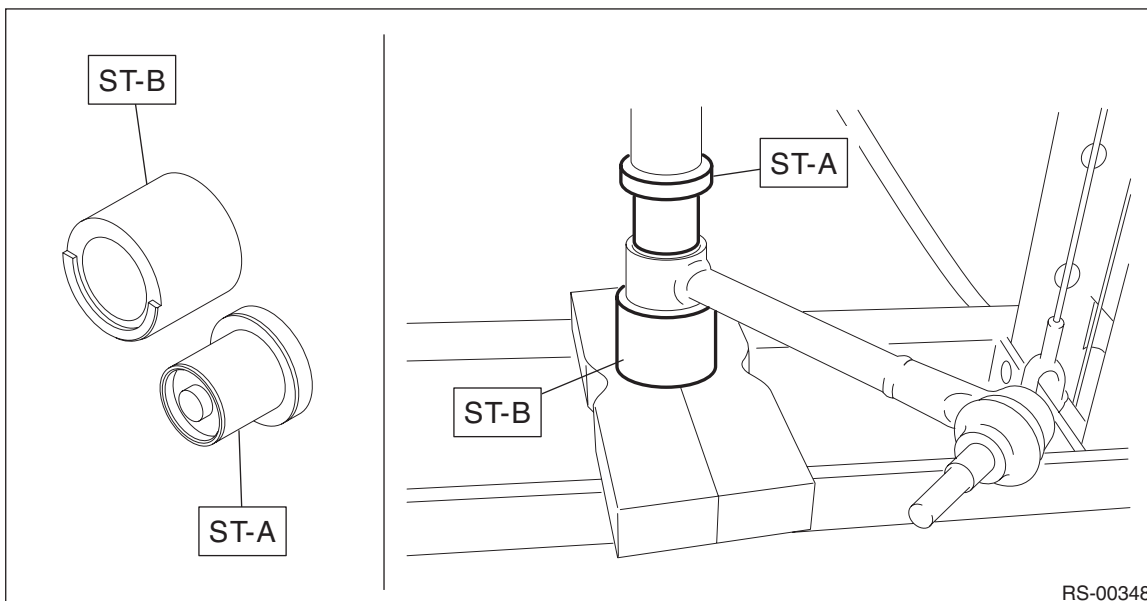
When the wheel alignment has been adjusted, perform “VDC sensor midpoint setting mode” of the VDC.

C: DISASSEMBLY

Using the ST, push out the bushing B - lateral link.

PREPARATION TOOL:

ST-A & ST-B: INSTALLER & REMOVER (20299AE000)



D: ASSEMBLY

- 1) Before assembly, inspect the following items and replace any faulty part with a new one.
 - Visually check the lateral link assembly - front for damage and deformation.
 - Visually check the bushing for abnormal cracks, fatigue or damage.
 - Visually check the dust cover on the ball joint for damage.
- 2) Using the ST, press-fit the bushing B - lateral link.

CAUTION:

Make sure to press the bushing straight in.

Preparation tool:

ST-A & ST-B: INSTALLER & REMOVER (20299AE000)

