

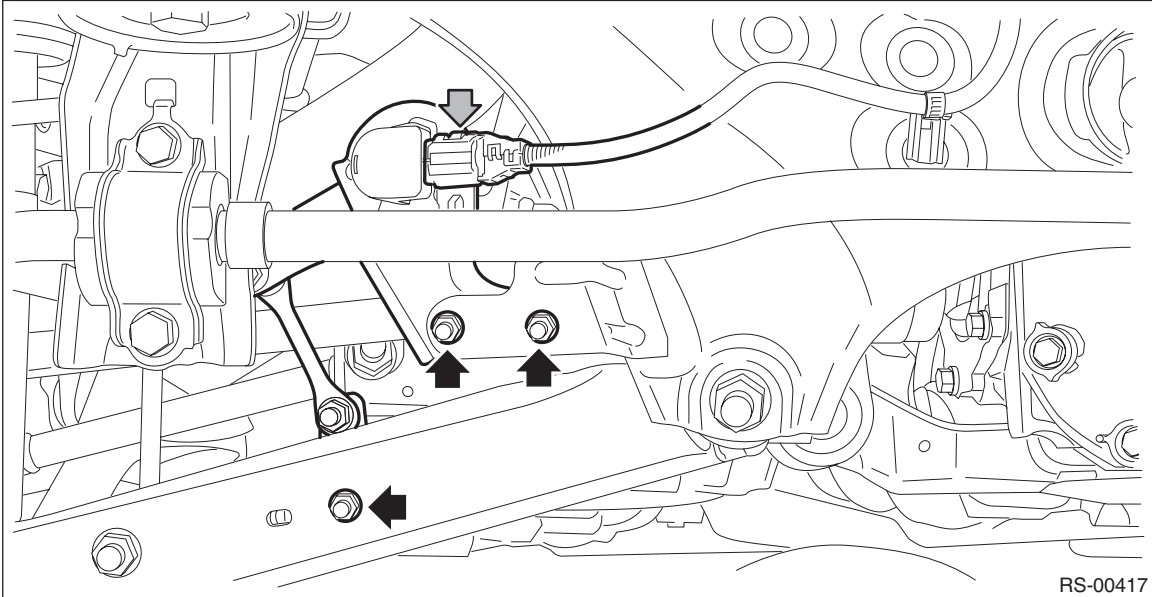
Rear Lateral Link

REAR SUSPENSION

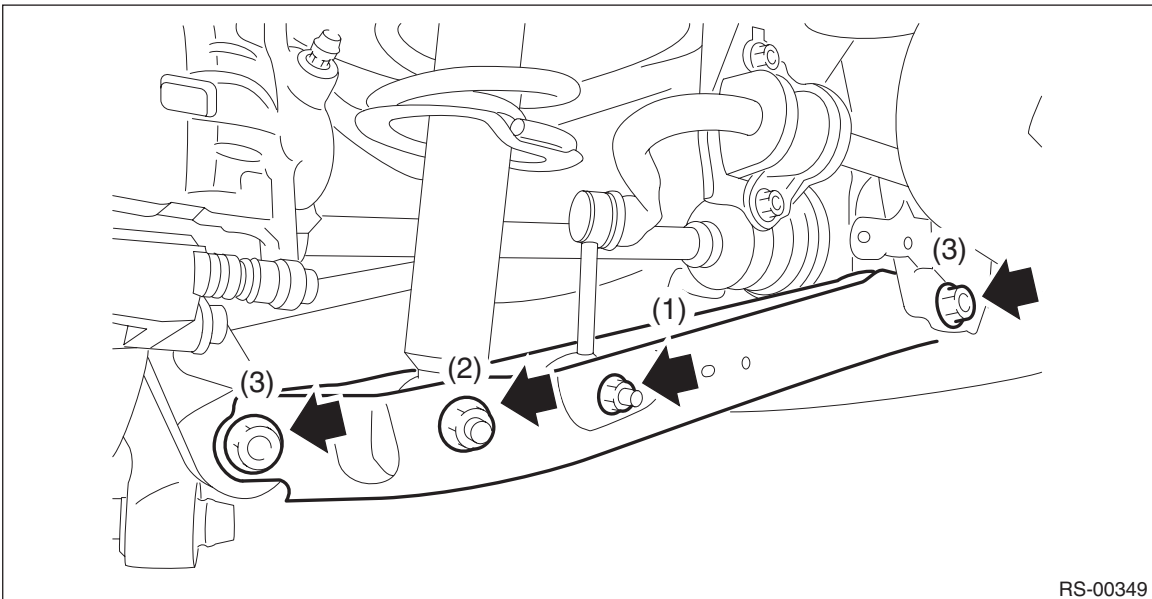
8. Rear Lateral Link

A: REMOVAL

- 1) Disconnect the ground cable from battery.
- 2) Lift up the vehicle, and then remove the rear wheels.
- 3) Remove the sensor assembly - headlight beam leveler. (Model with auto headlight beam leveler, left side only)
 - (1) Disconnect the connector of the sensor assembly - headlight beam leveler.
 - (2) Remove the nuts, and remove the sensor assembly - headlight beam leveler.



- 4) Remove the bolts and nuts, and remove the lateral link assembly - rear on the left and right sides.
 - (1) Remove the nut and disconnect the rear stabilizer link assembly.
 - (2) Remove the bolts at the bottom of rear strut assembly.
 - (3) Disconnect the lateral link assembly - rear.



B: INSTALLATION**CAUTION:**

- Be sure to use a new self-locking nut.
- Always tighten the bushing in the state where the vehicle is at curb weight and the wheels are in full contact with the ground.

1) Before installation, inspect the following items and replace any faulty part with a new one.

- Visually check the lateral link assembly - rear for damage and deformation.
- Visually check the bushing for abnormal cracks, fatigue or damage.

2) Install each part in the reverse order of removal.

Tightening torque:

Sensor assembly - headlight beam leveler: 7.5 N·m (0.76 kgf-m, 5.5 ft-lb)

Lateral link assembly - rear: 80 N·m (8.16 kgf-m, 59.0 ft-lb)

Rear strut assembly: 80 N·m (8.16 kgf-m, 59.0 ft-lb)

Stabilizer link assembly: 38 N·m (3.87 kgf-m, 28.0 ft-lb)

Sensor assembly - headlight beam leveler: 7.5 N·m (0.76 kgf-m, 5.5 ft-lb)

3) Install the rear wheels.

Tightening torque:

120 N·m (12.24 kgf-m, 88.5 ft-lb)

4) Inspect the wheel alignment and adjust if necessary.

- Inspection: <Ref. to FS-7, INSPECTION, Wheel Alignment.>
- Adjustment: <Ref. to FS-12, ADJUSTMENT, Wheel Alignment.>

CAUTION:

When the wheel alignment has been adjusted, perform “VDC sensor midpoint setting mode” of the VDC.

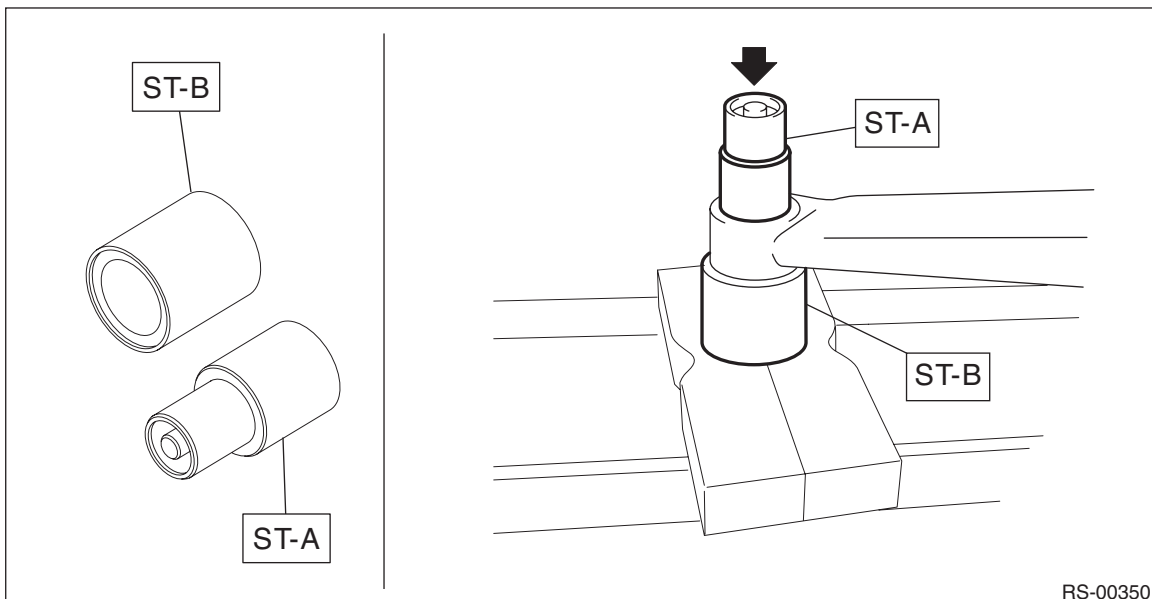
5) Perform reinitialization of the auto headlight beam leveler system. (Model with auto headlight beam leveler) <Ref. to LI-17, REINITIALIZATION, PROCEDURE, Auto Headlight Beam Leveler System.>

C: DISASSEMBLY

Using the ST, push out the bushing.

Preparation tool:

ST-A & ST-B: INSTALLER & REMOVER (20099AE010)



RS-00350

Rear Lateral Link

REAR SUSPENSION

D: ASSEMBLY

- 1) Before assembly, inspect the following items and replace any faulty part with a new one.
 - Visually check the lateral link assembly - rear for damage and deformation.
 - Visually check the bushing for abnormal cracks, fatigue or damage.
- 2) Using the ST, press the bushing into place.

Preparation tool:

ST-A & ST-B: INSTALLER & REMOVER (20099AE010)

