

## 2. Differential Gear Oil

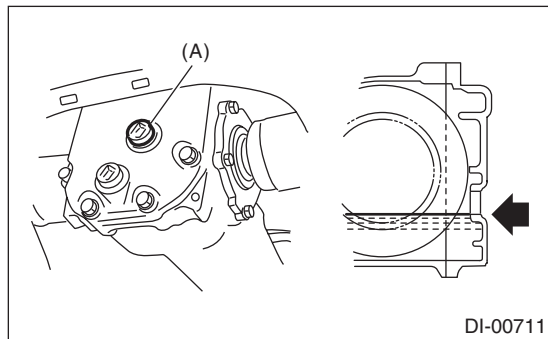
### A: INSPECTION

- 1) Lift up the vehicle.
- 2) Remove the filler plug, and then check the gear oil. Replace the gear oil if it is contaminated, deteriorated or cloudy. <Ref. to DI-19, REPLACEMENT, Differential Gear Oil.>
- 3) Check that the gear oil level is within  $-5\text{ mm}$  ( $-0.2\text{ in}$ ) from the bottom of the filler plug hole. If the level is low, make sure that there is no oil leakage and re-fill up to the bottom of filler plug hole.

**NOTE:**

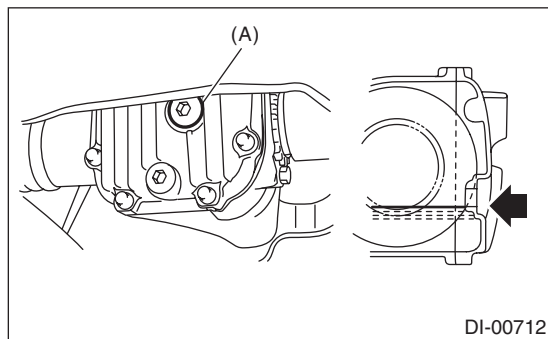
On VA1-types at factory settings, the oil level may be within  $-14\text{ mm}$  ( $-0.6\text{ in}$ ) from the bottom of the filler plug. This is at normal level, requiring no oil re-fill.

- T-type



(A) Filler plug

- VA1-type



(A) Filler plug

- 4) Install the filler plug.

**NOTE:**

- For the T-type, apply liquid gasket to the filler plug.

**Liquid gasket:**

**THREE BOND 1105 (Part No. 004403010) or equivalent**

- For VA type, use a new gasket.

**Tightening torque:**

**T-type:**

**49 N·m (5.0 kgf-m, 36.1 ft-lb)**

**VA-type:**

**50 N·m (5.1 kgf-m, 36.9 ft-lb)**

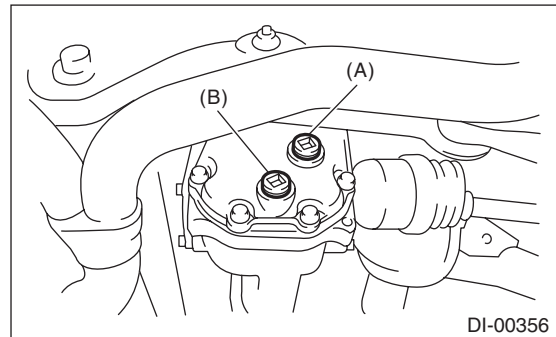
### B: REPLACEMENT

**CAUTION:**

- Gear oil is extremely hot just after driving. Be wary of receiving burns.
- Be careful not to spill the differential gear oil on exhaust pipe. If gear oil is spilled, wipe it off completely.

- 1) Lift up the vehicle.
- 2) Remove the drain plug and filler plug, and drain the gear oil.

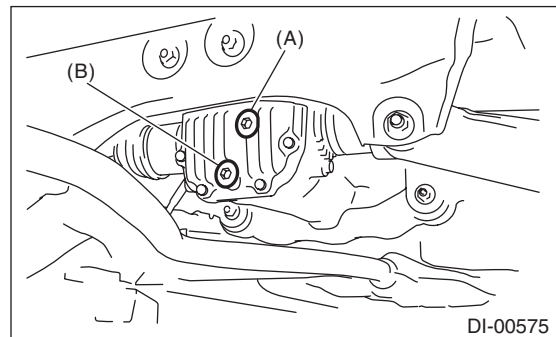
- T-type



(A) Filler plug

(B) Drain plug

- VA1-type



(A) Filler plug

(B) Drain plug

# Differential Gear Oil

## DIFFERENTIALS

3) Tighten the drain plug.

### NOTE:

- For the T-type, apply liquid gasket to the drain plug.

### Liquid gasket:

**THREE BOND 1105 (Part No. 004403010) or equivalent**

- For VA type, use a new gasket.

### Tightening torque:

#### T-type

**49 N·m (5.0 kgf-m, 36.1 ft-lb)**

#### VA-type:

**50 N·m (5.1 kgf-m, 36.9 ft-lb)**

4) Fill the differential carrier with gear oil to the bottom of filler plug.

### NOTE:

Carefully refill gear oil while watching the level. Excessive or insufficient oil must be avoided.

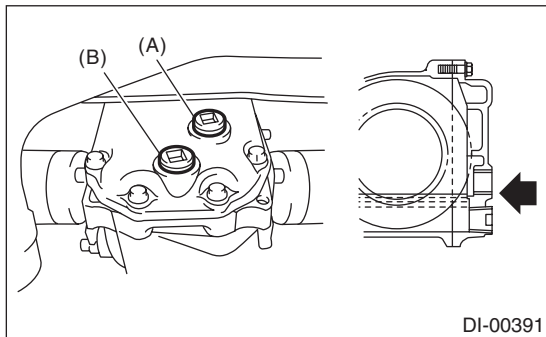
### Recommended gear oil:

**<Ref. to DI-2, SPECIFICATION, General Description.>**

### Oil capacity:

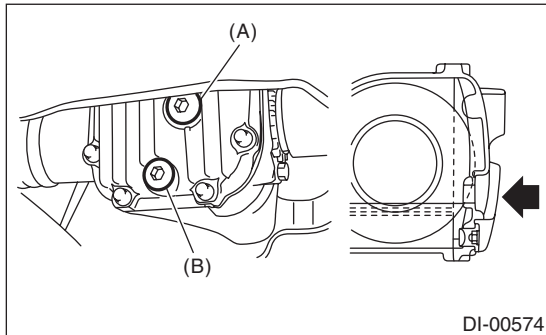
**0.8 L (0.8 US qt, 0.7 Imp qt)**

- T-type



- (A) Filler plug
- (B) Drain plug

- VA1-type



- (A) Filler plug
- (B) Drain plug

5) Install the filler plug.

### NOTE:

- For the T-type, apply liquid gasket to the filler plug.

### Liquid gasket:

**THREE BOND 1105 (Part No. 004403010) or equivalent**

- For VA type, use a new gasket.

### Tightening torque:

#### T-type:

**49 N·m (5.0 kgf-m, 36.1 ft-lb)**

#### VA-type:

**50 N·m (5.1 kgf-m, 36.9 ft-lb)**