

# Rear Differential Side Oil Seal

## DIFFERENTIALS

### 7. Rear Differential Side Oil Seal

#### A: INSPECTION

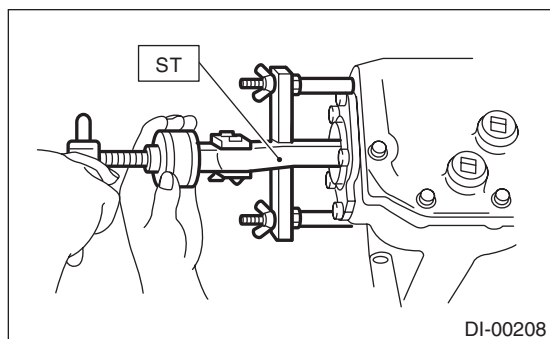
Make sure that there is no leakage from side oil seal. If there is any leakage, replace the oil seal.

#### B: REPLACEMENT

1) Remove the rear differential. <Ref. to DI-22, REMOVAL, Rear Differential (T-type).> <Ref. to DI-41, REMOVAL, Rear Differential (VA-type).>

2) Remove the rear differential side oil seal using a ST or screwdriver wrapped with vinyl tape to prevent the side retainer from scratching.

ST 398527700 PULLER ASSY

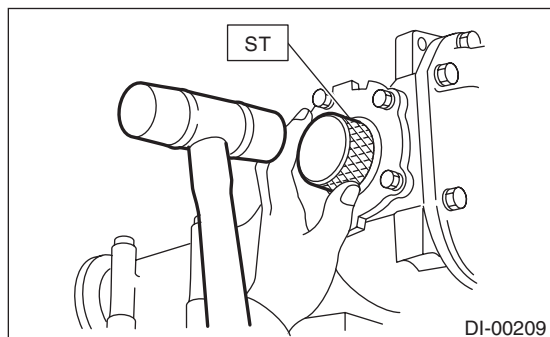


3) Using the ST, install the oil seal.

#### NOTE:

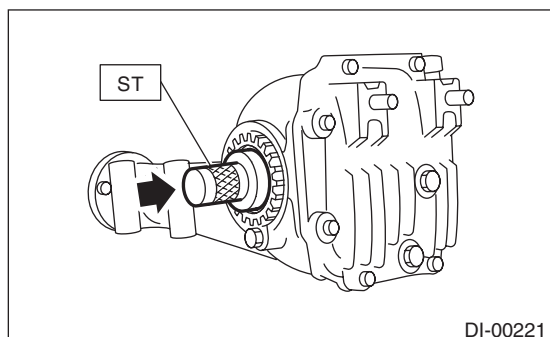
- Use a new oil seal.
- Apply differential gear oil to the oil seal lips.
- T-type

ST 398437700 DRIFT



- VA1-type

ST 498447100 INSTALLER



4) Install the rear differential. <Ref. to DI-24, INSTALLATION, Rear Differential (T-type).> <Ref. to DI-41, INSTALLATION, Rear Differential (VA-type).>