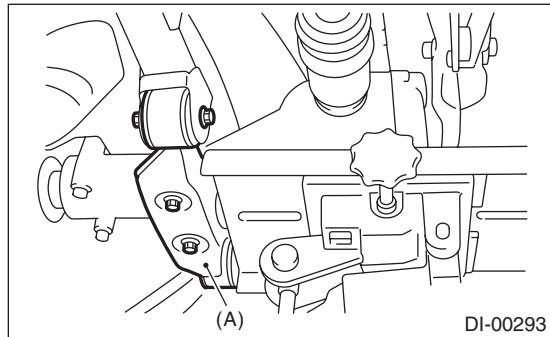


8. Rear Differential Front Member

A: REMOVAL

- 1) Disconnect the ground cable from battery.
- 2) Lift up the vehicle.
- 3) Support the rear differential using transmission jack, and then remove the rear differential front member.



(A) Rear differential front member

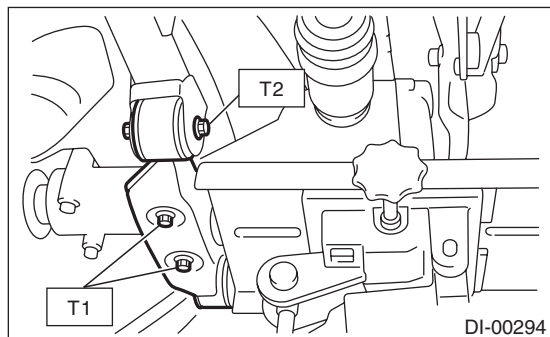
B: INSTALLATION

Install the rear differential front member with a new self-locking nut.

Tightening torque:

T1: 50 N·m (5.1 kgf-m, 36.9 ft-lb)

T2: 110 N·m (11.2 kgf-m, 81.1 ft-lb)



C: INSPECTION

- 1) Check the rear differential front member for damage, bend and corrosion.
If damage, bend or corrosion is excessive, replace the rear differential front member.
- 2) Check the bushings of rear differential member for cracking, hardening and damage. If cracking, hardening or damage is excessive, replace rear differential front member.