

5. Rear Axle

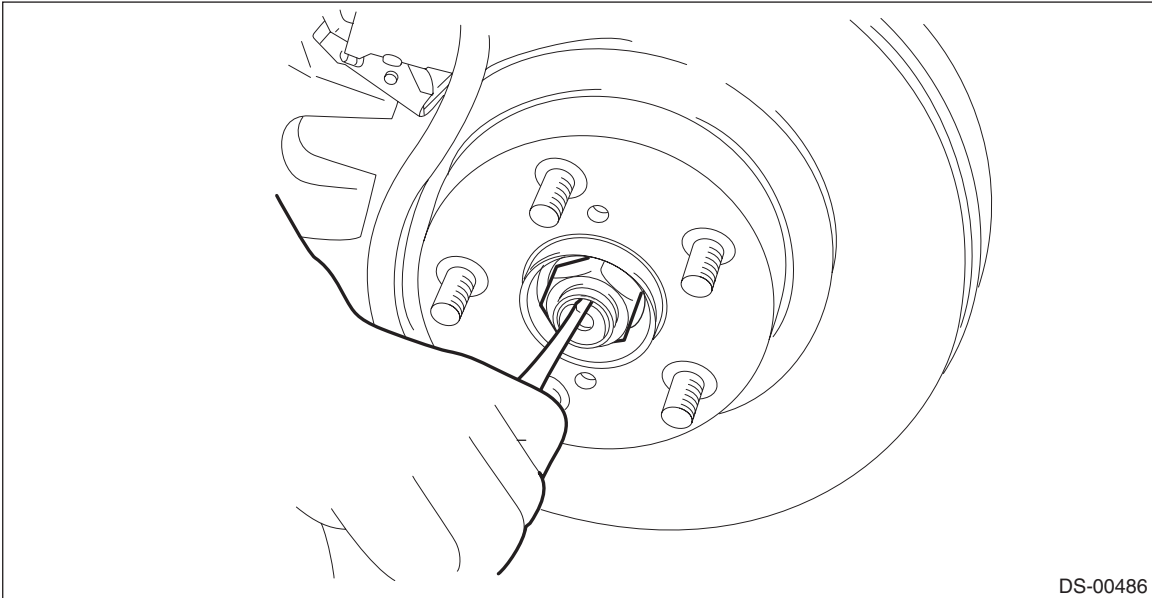
A: REMOVAL

- 1) Disconnect the ground cable from battery.
- 2) Lift up the vehicle, and then remove the rear wheels.
- 3) Remove the nut - axle.

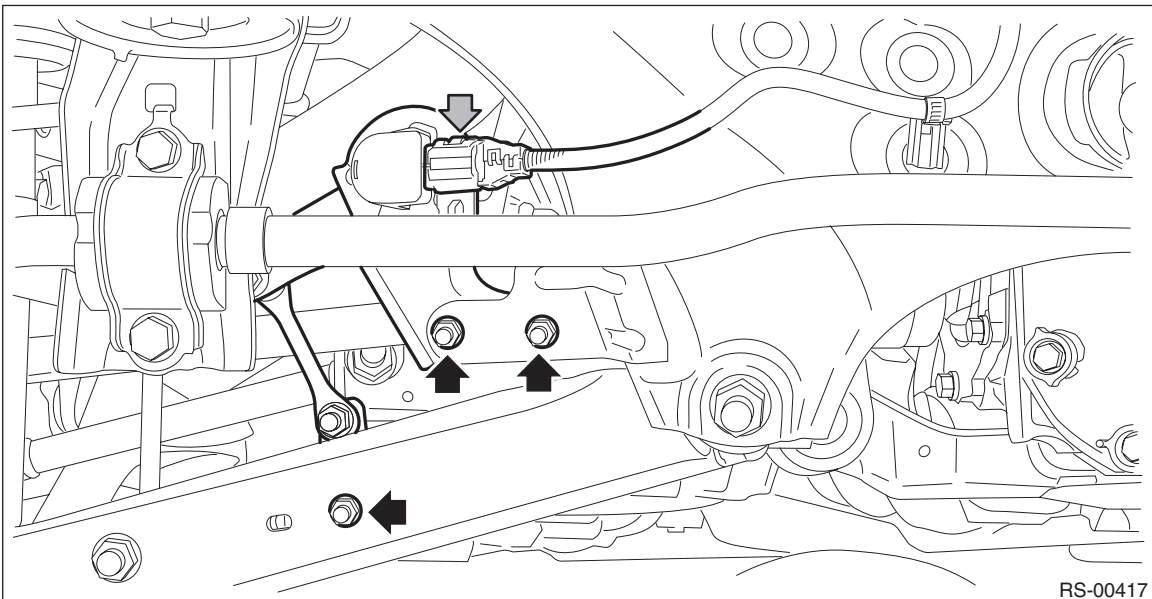
CAUTION:

Do not loosen the nut - axle while the rear axle is loaded. Doing so may damage the hub unit COMPL.

- (1) Lift the crimped section of the nut - axle.
- (2) Remove the nut - axle using a socket wrench while depressing the brake pedal.



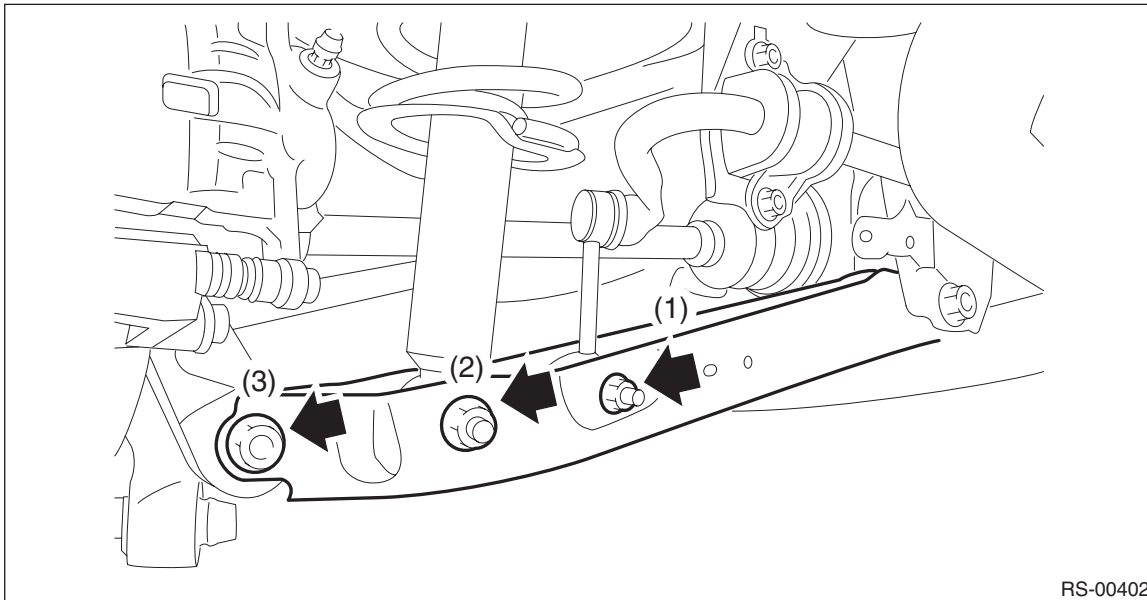
- 4) Disconnect the sensor assembly - headlight beam leveler. (Model with auto headlight beam leveler)
 - (1) Disconnect the connector of the sensor assembly - headlight beam leveler.
 - (2) Remove the bolts and nuts, and remove the sensor assembly - headlight beam leveler.



Rear Axle

DRIVE SHAFT SYSTEM

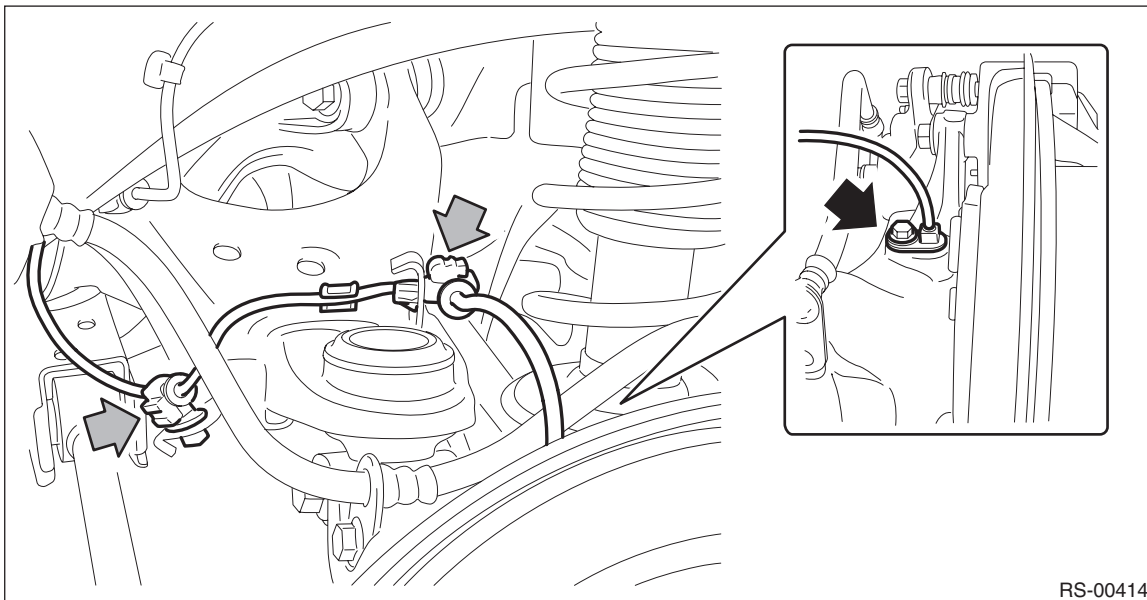
- 5) Remove the bolts and nuts, and lower the lateral link assembly - rear.
- (1) Remove the nut and disconnect the rear stabilizer link assembly. (model with rear stabilizer)
 - (2) Remove the bolts at the bottom of rear strut assembly.
 - (3) Disconnect the housing assembly - rear axle from the lateral link assembly - rear.



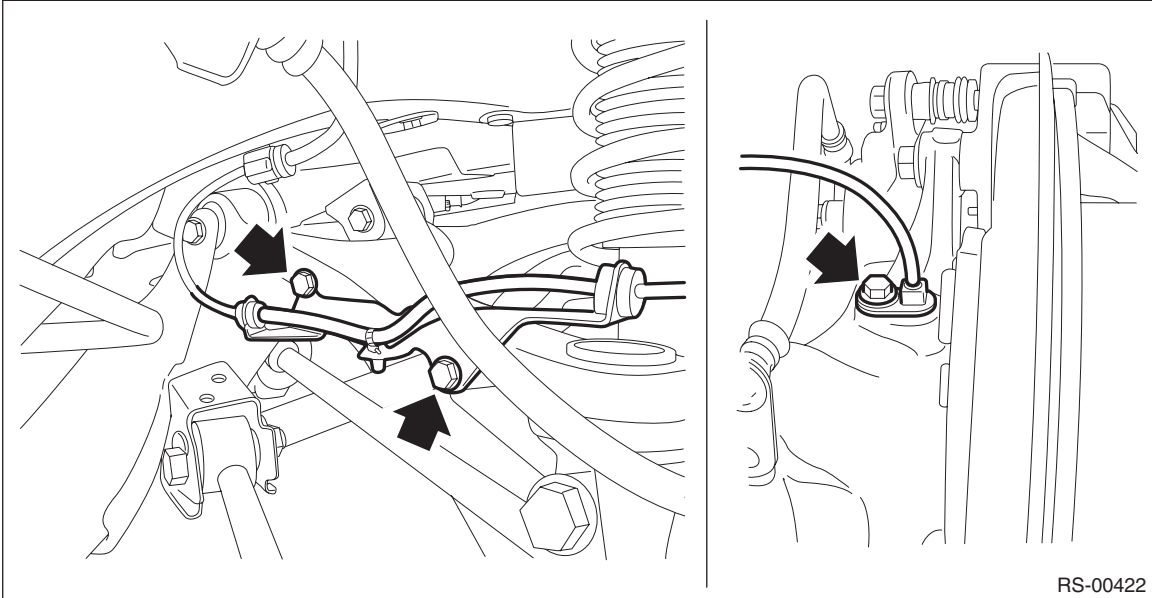
- 6) Remove the caliper body assembly from the housing assembly - rear axle.
- (1) Remove the bolts, and remove the brake hose bracket and ABS wheel speed sensor.
 - (2) Remove the mounting bolts, and then remove the caliper body assembly.

CAUTION:

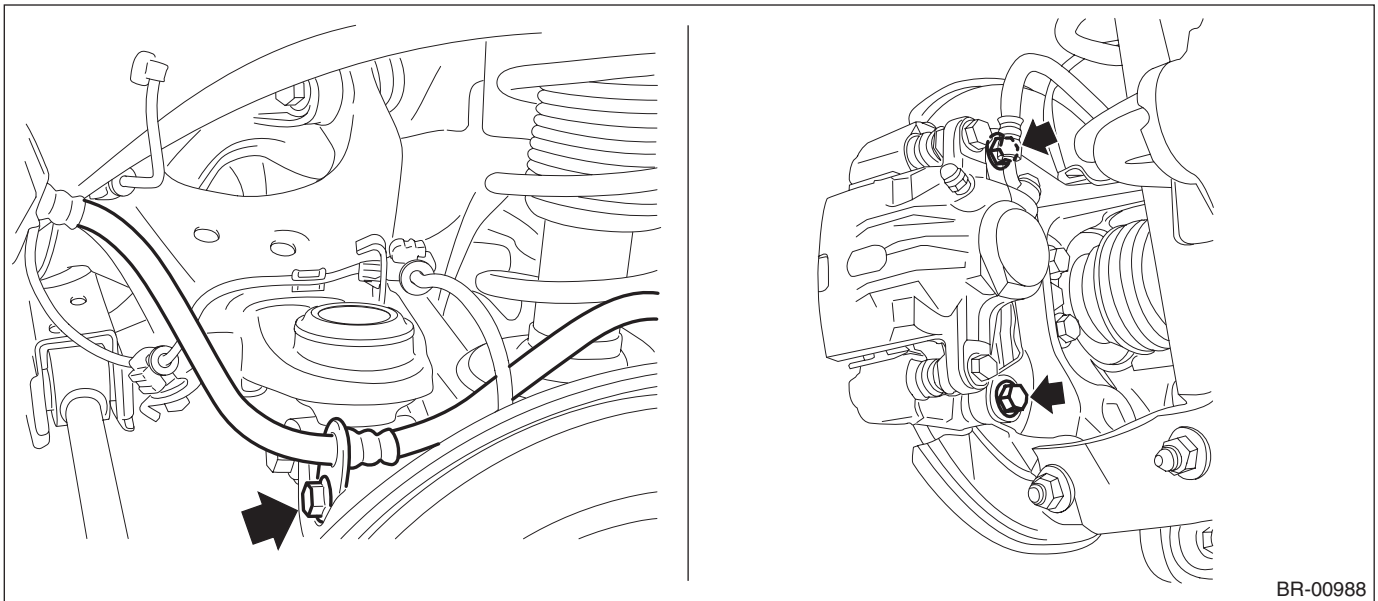
- Be careful not to damage the sensor.
- Do not apply excessive force to the sensor harness.
 - Except for XV model: Remove the harness clamp clip.



- XV model: Remove the bolts and remove the sensor bracket.



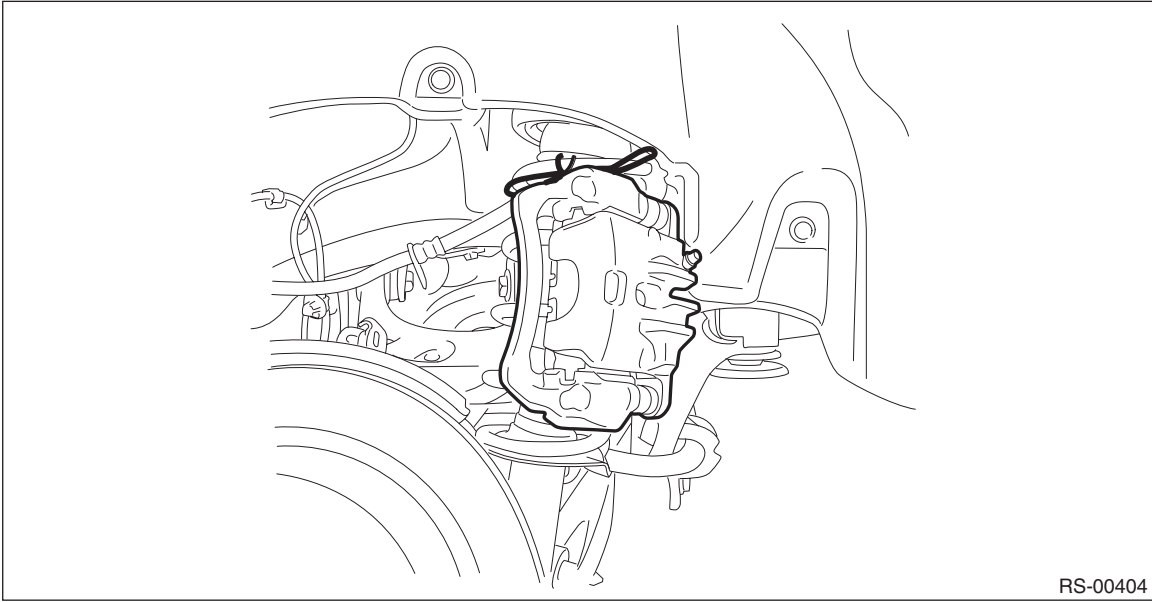
- 7) Remove the caliper body assembly from the housing assembly - rear axle.
(1) Remove the bolts and then remove the brake hose bracket and caliper body assembly.



Rear Axle

DRIVE SHAFT SYSTEM

(2) Prepare wiring harnesses etc. to be discarded, and suspend the caliper body assembly from the strut assembly.



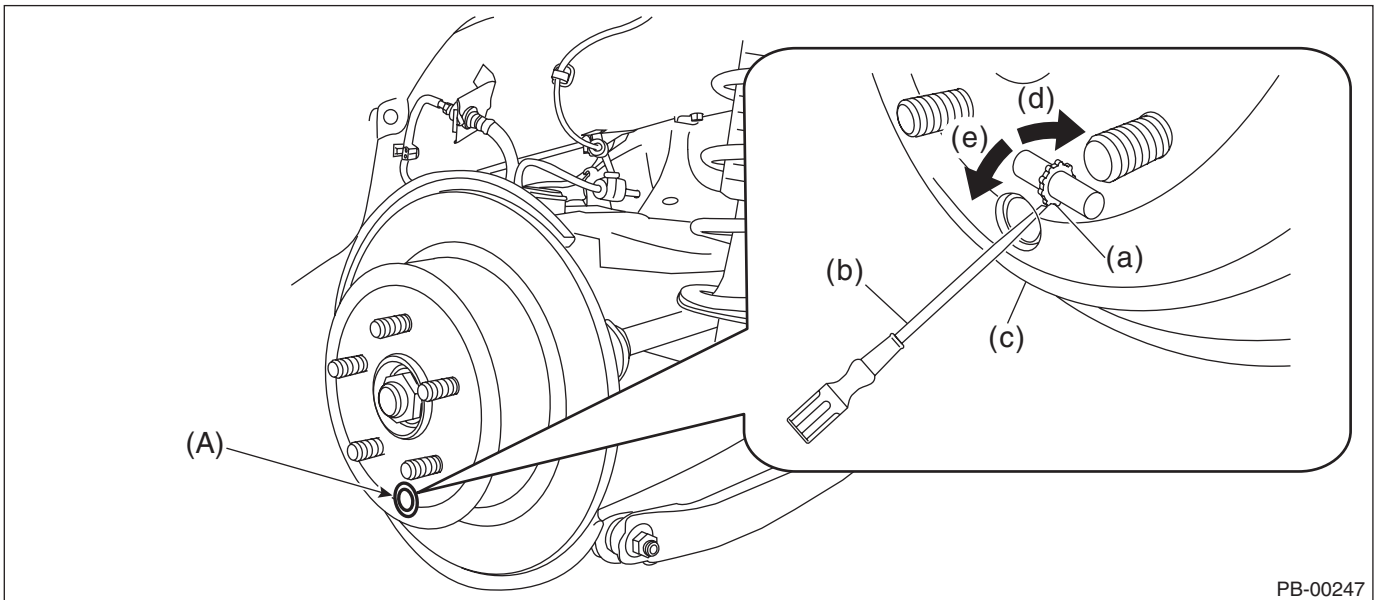
RS-00404

8) Remove the rear disc rotor.

NOTE:

If it is difficult to remove the disc rotor, perform the following two methods in order.

1. Remove the adjusting hole cover (A) for the disc rotor, and rotate the adjuster assembly - rear brake using a flat tip screwdriver until the brake shoe moves far enough from the disc rotor.



PB-00247

(a) Adjuster ASSY - rear brake

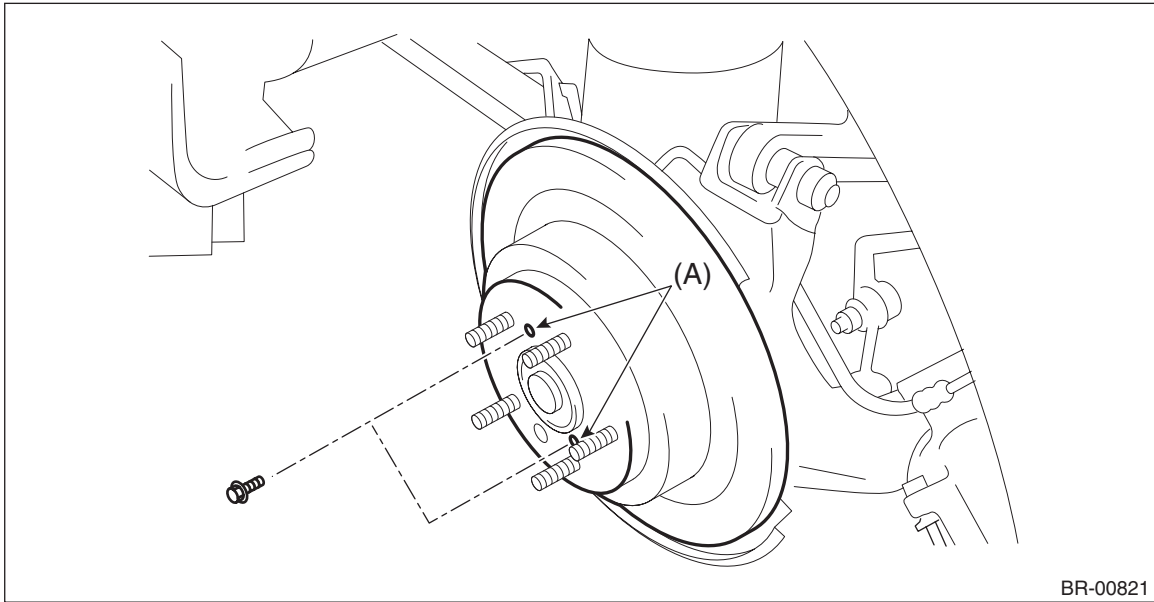
(c) Disc rotor

(e) Shorten the adjuster ASSY - rear brake

(b) Flat tip screwdriver

(d) Extend the adjuster ASSY - rear brake

2. When the disc rotor is difficult to be removed from the hub unit COMPL - rear axle, screw in 8 mm (0.31 in) bolt to the threaded part of the disc rotor (A), and remove the disc rotor.

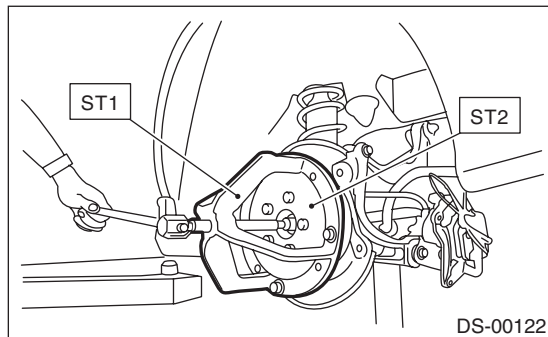


9) Remove the rear axle shaft assembly from the hub unit COMPL - rear axle.

Preparation tool:

ST1: AXLE SHAFT PULLER (926470000)

ST2: AXLE SHAFT PULLER PLATE (28099PA110)



NOTE:

If it is hard to remove, use the ST.

Rear Axle

DRIVE SHAFT SYSTEM

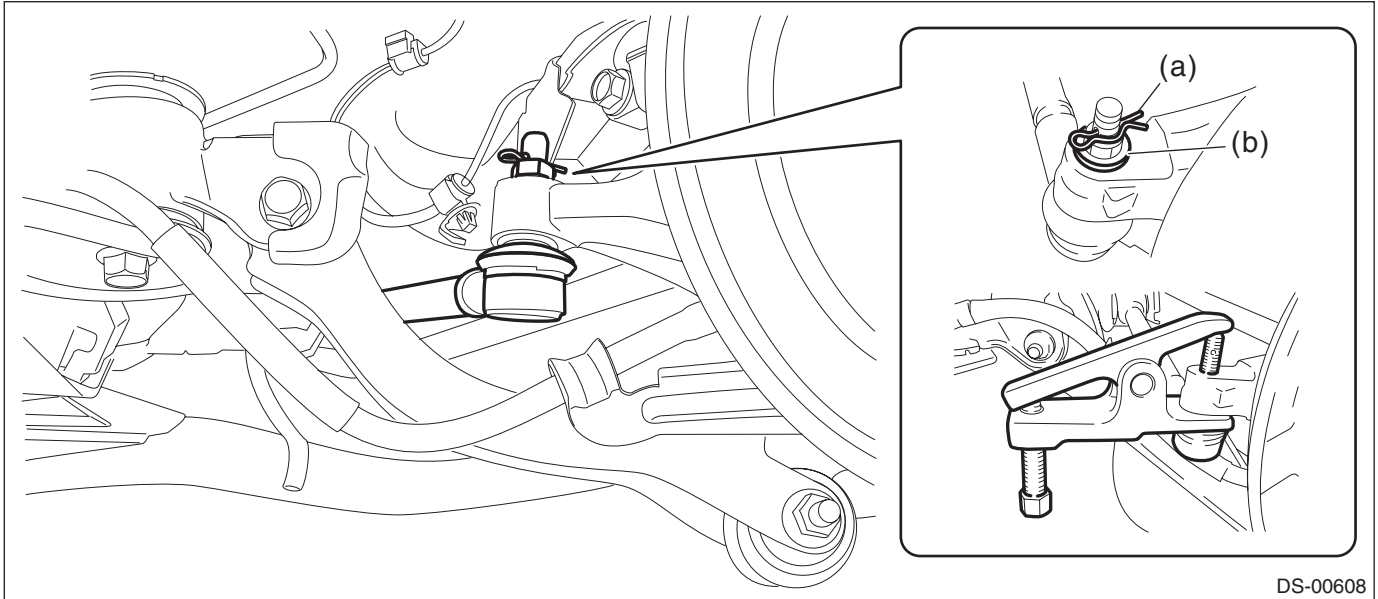
- 10) Remove the lateral link assembly - front.
 - (1) Remove the snap pin (a) and nut (b).
 - (2) Remove the ball joint from the housing assembly - rear axle.

CAUTION:

Be careful not to damage the boot of the joint.

Preparation tool:

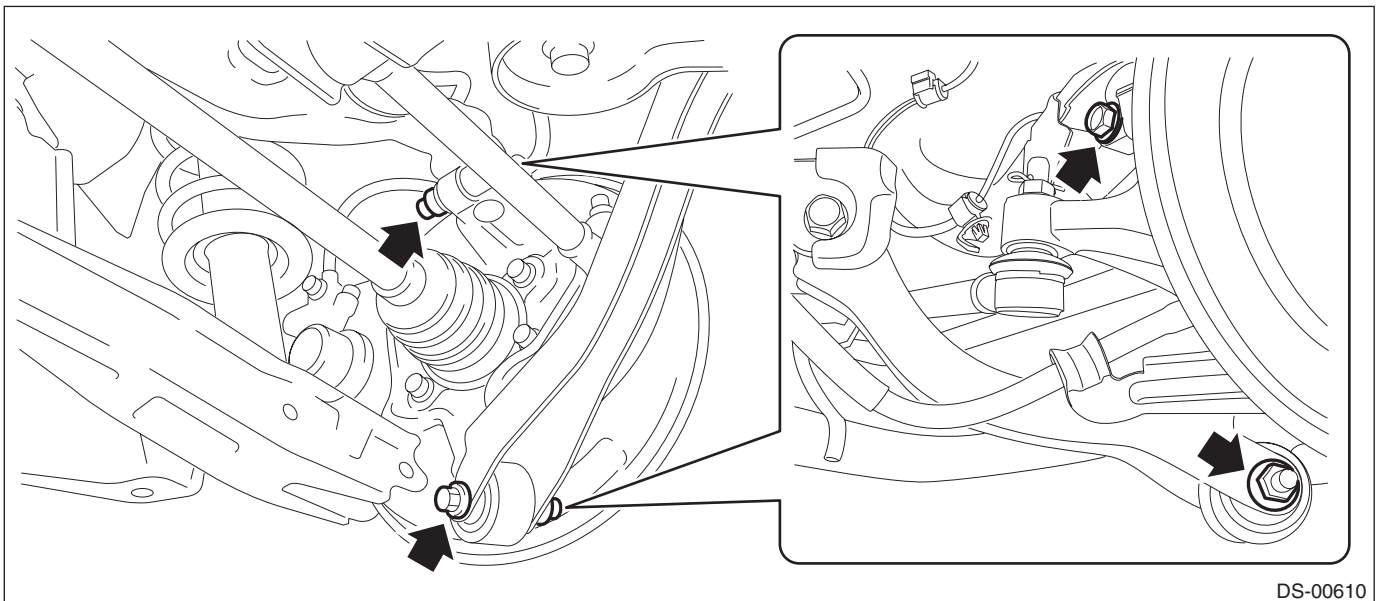
Tie-rod ball joint puller



- 11) Remove the housing assembly - rear axle.
 - (1) Remove the bolts for the upper arm, the trailing link, and the lateral link assembly - rear, and then separate the housing assembly - rear axle.

CAUTION:

Be careful not to damage the boot of the joint.



(2) Remove the housing assembly - rear axle.

CAUTION:

- **Be careful of the weight of the housing assembly - rear axle.**
- **Be careful not to damage the spline portion of the axle shaft.**

12) Refer to "Rear Hub Unit Bearing" for removal of the hub unit COMPL - rear axle. <Ref. to DS-46, RE-MOVAL, Rear Hub Unit Bearing.>

B: INSTALLATION

1) Temporarily tighten the housing assembly - rear axle to the upper arm assembly.

2) Install the rear axle shaft assembly.

CAUTION:

- **Do not tap the axle shaft using a hammer when installing axle shaft assembly.**
- **Use new nut - axle.**

(1) Insert the axle shaft assembly into the hub spline, and pull in the axle shaft assembly into specified position.

(2) Temporarily tighten the nut - axle.

3) Tighten the rear strut assembly, rear stabilizer link assembly and other links to the specified torque.

Tightening torque:

Rear suspension: <Ref. to RS-3, REAR SUSPENSION, COMPONENT, General Description.>

Rear strut: <Ref. to RS-5, REAR STRUT, COMPONENT, General Description.>

4) Install the rear disc rotor.

5) Install the caliper body assembly.

Tightening torque:

66 N·m (6.73 kgf-m, 48.7 ft-lb)

6) Install the brake hose bracket and rear ABS wheel speed sensor.

Tightening torque:

Brake hose bracket: 33 N·m (3.36 kgf-m, 24.3 ft-lb)

Rear ABS wheel speed sensor: 7.5 N·m (0.76 kgf-m, 5.5 ft-lb)

7) Install the sensor assembly - headlight beam leveler. (Model with auto headlight beam leveler)

Tightening torque:

7.5 N·m (0.76 kgf-m, 5.5 ft-lb)

8) While depressing the brake pedal, tighten new nuts - axle to the specified torque.

CAUTION:

Do not load the rear axle before tightening the nut - axle. Doing so may damage the hub unit COMPL.

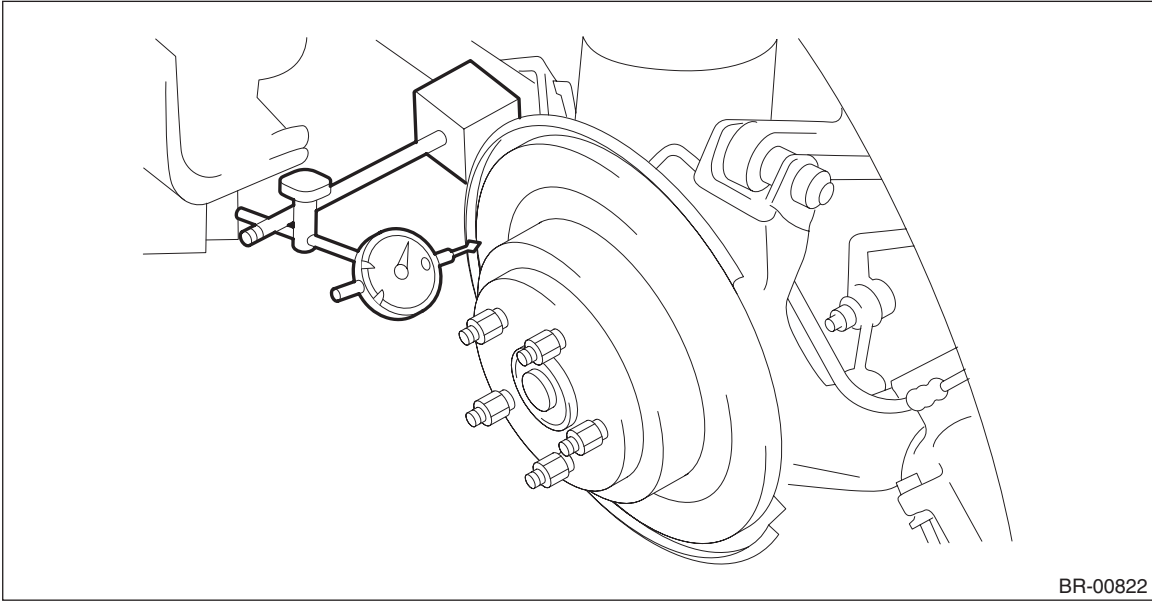
Tightening torque:

190 N·m (19.37 kgf-m, 140.1 ft-lb)

Rear Axle

DRIVE SHAFT SYSTEM

9) Inspect the lean of axis direction using a dial gauge. Replace the hub unit COMPL - rear axle if the play exceeds the limit.

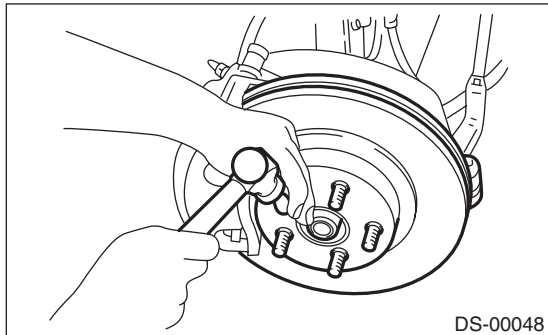


BR-00822

Service limit:

Maximum: 0.05 mm (0.0020 in)

10) After tightening the nut - axle, lock it securely.



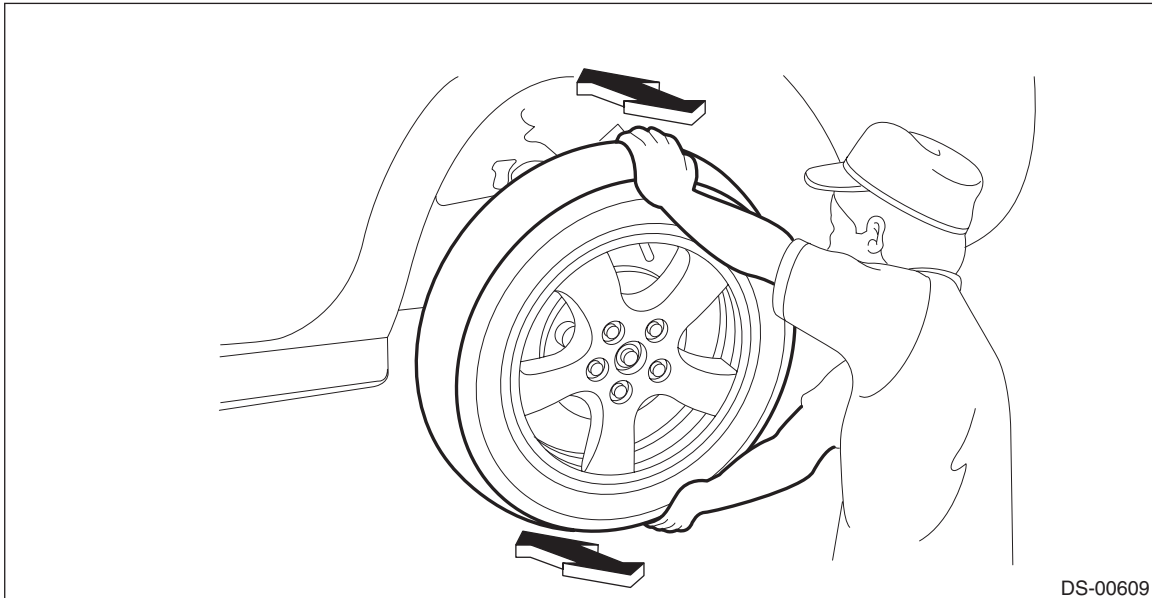
DS-00048

11) Install the rear wheels, and perform the following inspections.

Tightening torque:

120 N·m (12.24 kgf-m, 88.5 ft-lb)

1. Check the wheels for smooth rotation.
2. Check that there is no play by moving the upper and lower portions of rear tire in an axial direction with the brake pedal released.



- **Play exists** → Check the hub unit COMPL - rear axle. <Ref. to DS-56, INSPECTION, Rear Hub Unit Bearing.>
- 12) Inspect the wheel alignment and adjust if necessary.
- Inspection: <Ref. to FS-7, INSPECTION, Wheel Alignment.>
 - Adjustment: <Ref. to FS-12, ADJUSTMENT, Wheel Alignment.>
- 13) Perform reinitialization of the auto headlight beam leveler system. (Model with auto headlight beam leveler) <Ref. to LI-17, PROCEDURE, Auto Headlight Beam Leveler System.>

Rear Axle

DRIVE SHAFT SYSTEM

C: DISASSEMBLY

1. BUSHING - REAR AXLE HOUSING

Do not remove the housing assembly - rear axle because the bushing - rear axle housing cannot be replaced. If it is removed, replace the housing assembly - rear axle.

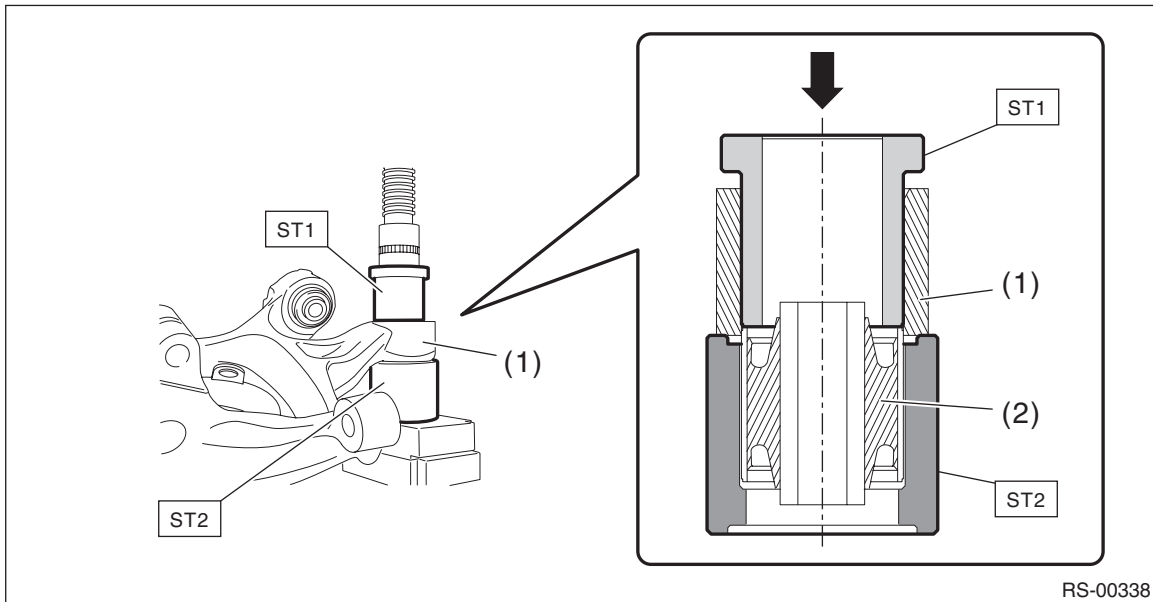
2. BUSHING - TRAILING LINK

- 1) Remove the housing assembly - rear axle. <Ref. to DS-35, REMOVAL, Rear Axle.>
- 2) Using the ST and a hydraulic press, push out the bushing.

Preparation tool:

ST1: BUSHING REMOVER (20099FG000)

ST2: INSTALLER & REMOVER (BASE) (20099PA010)



(1) Housing ASSY - rear axle

(2) Bushing - trailing link

D: ASSEMBLY**1. BUSHING - REAR AXLE HOUSING**

Do not remove the housing assembly - rear axle because the bushing - rear axle housing cannot be replaced. If it is removed, replace the housing assembly - rear axle.

2. BUSHING - TRAILING LINK

1) Before assembly, inspect the following items and replace any faulty part with a new one.

- Perform visual check for damage or bend on the trailing link.
- Visually check the bushing for abnormal cracks, fatigue or damage.

2) Press-fit the bushing using ST and the hydraulic press.

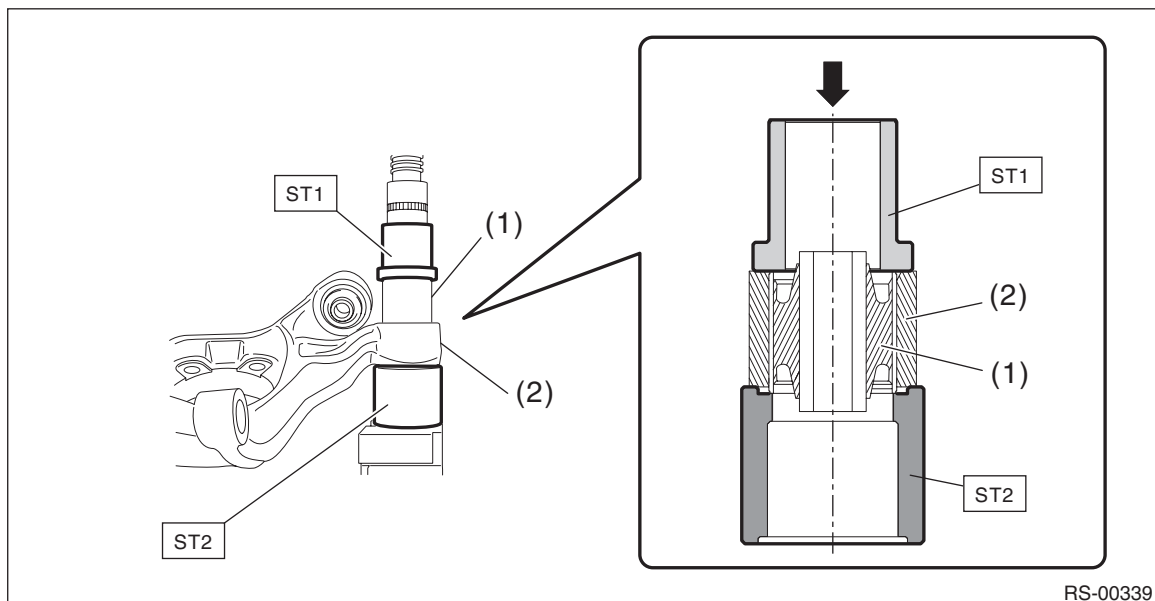
CAUTION:

Make sure to press the bushing straight in.

Preparation tool:

ST1: BUSHING REMOVER (20099FG000)

ST2: INSTALLER & REMOVER (BASE) (20099PA010)



(1) Bushing

(2) Housing ASSY - rear axle