

General Description

VEHICLE DYNAMICS CONTROL (VDC)

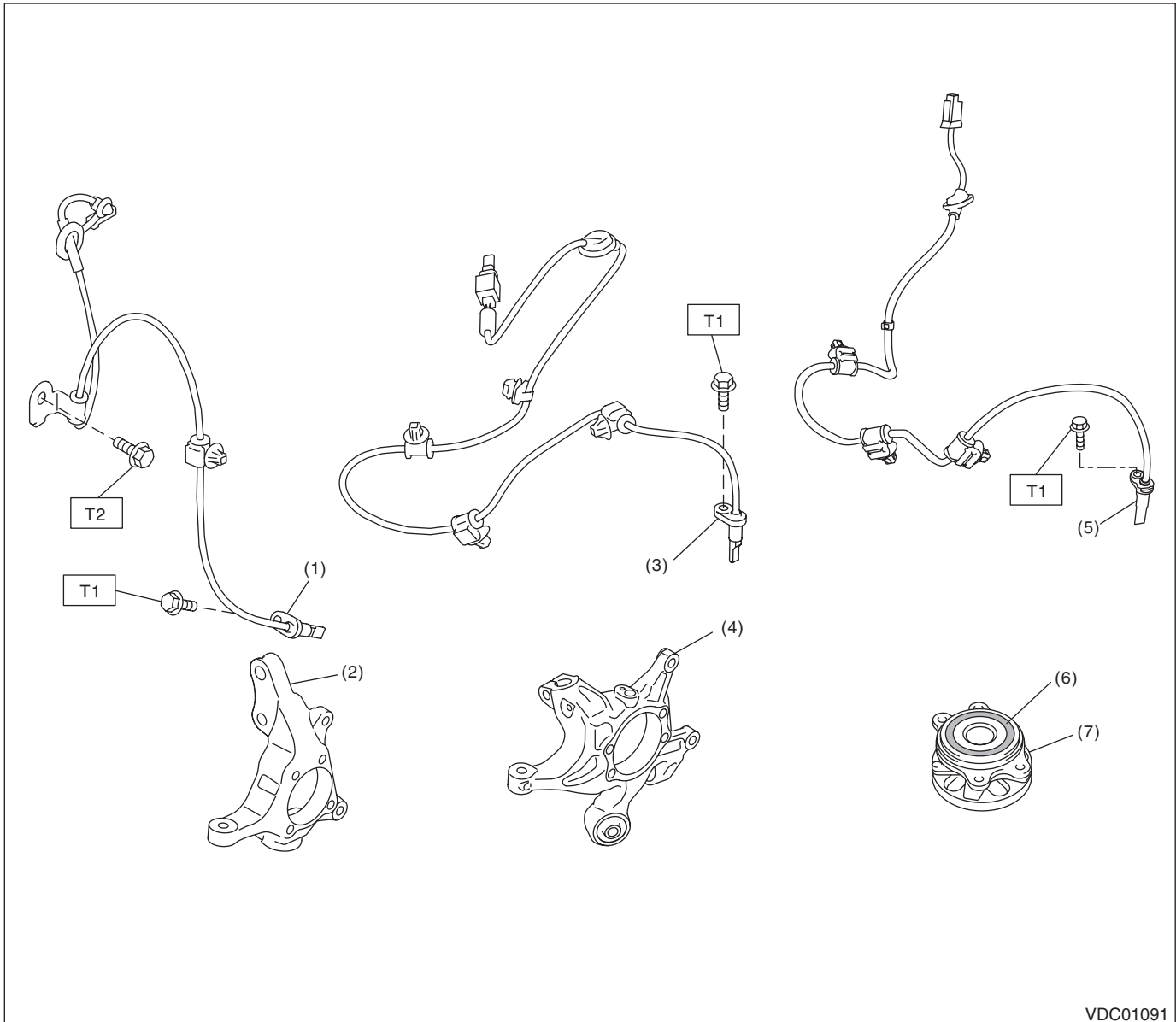
1. General Description

A: SPECIFICATION

| Item | | | Specification or identification | |
|--------------------------|--|-------|-----------------------------------|----|
| ABS wheel speed sensor | ABS wheel speed sensor gap (for reference) | Front | 0.77 — 1.43 mm (0.030 — 0.056 in) | |
| | | Rear | 0.44 — 1.76 mm (0.017 — 0.069 in) | |
| | Identifications of harness (symbol) | Front | RH | Z1 |
| | | | LH | Z2 |
| | Rear | Rear | RH (Except for XV model) | Z3 |
| | | | RH (XV model) | Z5 |
| | | | LH (Except for XV model) | Z4 |
| | | | LH (XV model) | Z6 |
| VDCCM&H/U Identification | | | XP | |

B: COMPONENT

1. ABS WHEEL SPEED SENSOR



VDC01091

- | | |
|---|--|
| (1) Front ABS wheel speed sensor | (5) Rear ABS wheel speed sensor (XV model) |
| (2) Housing ASSY - front axle | (6) Magnetic encoder |
| (3) Rear ABS wheel speed sensor (except for XV model) | (7) Hub unit COMPL |
| (4) Housing ASSY - rear axle | |

Tightening torque: N-m (kgf-m, ft-lb)

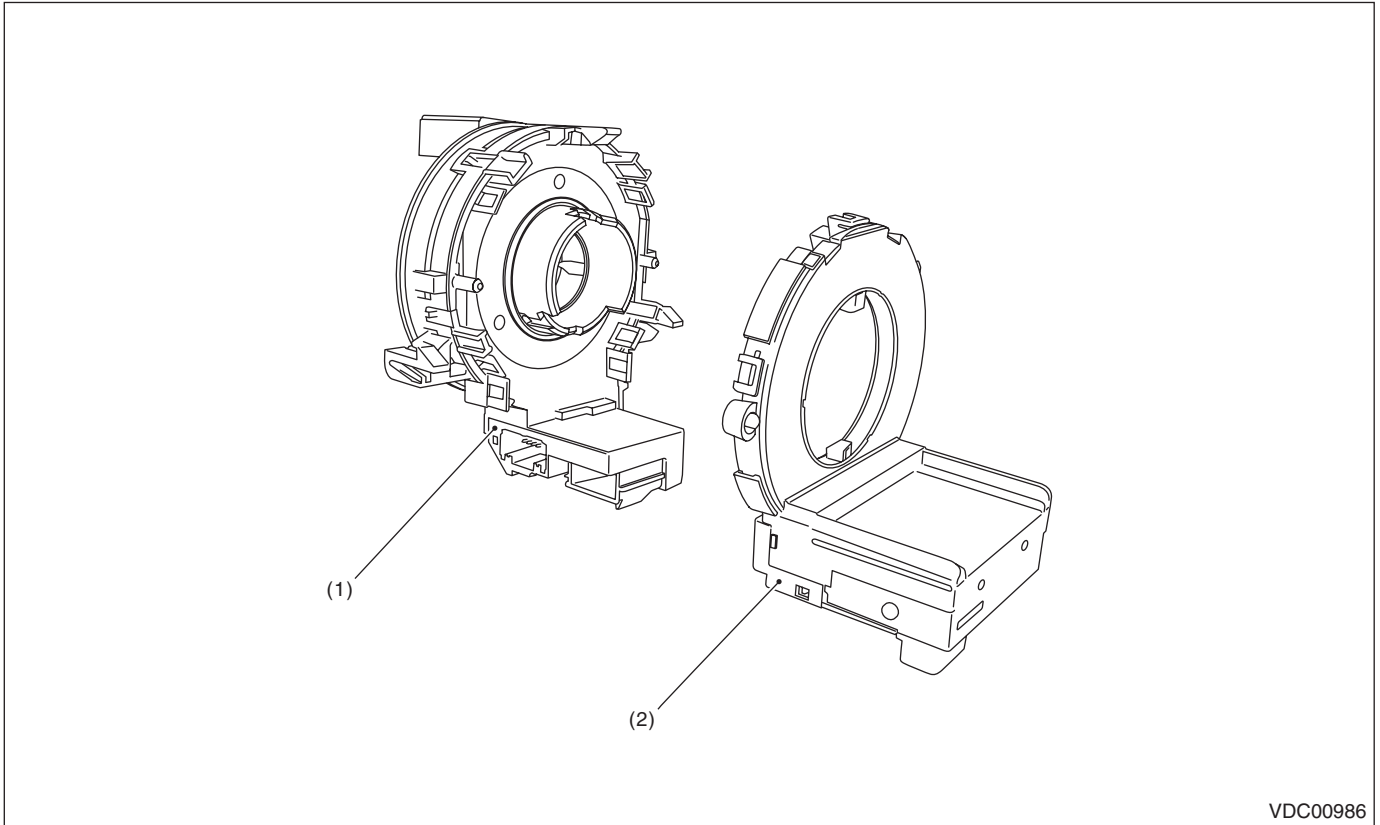
T1: 7.5 (0.76, 5.5)

T2: 33 (3.36, 24.3)

General Description

VEHICLE DYNAMICS CONTROL (VDC)

2. STEERING ANGLE SENSOR



VDC00986

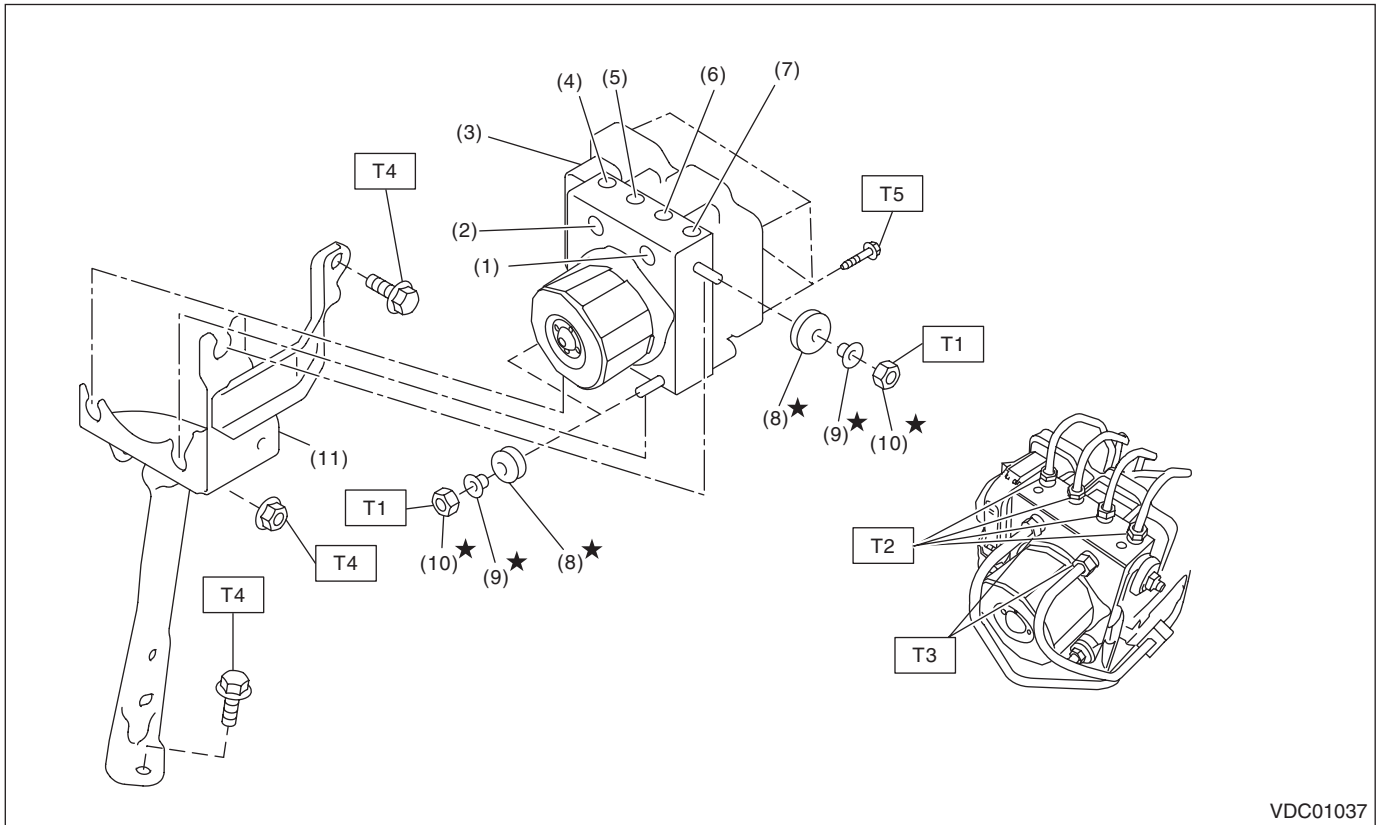
(1) Steering roll connector

(2) Steering angle sensor

General Description

VEHICLE DYNAMICS CONTROL (VDC)

3. VDC CONTROL MODULE & HYDRAULIC CONTROL UNIT (VDCCM&H/U)



VDC01037

- | | |
|---|-------------------------------|
| (1) Primary inlet | (7) Rear LH outlet |
| (2) Secondary inlet | (8) Damper - hydraulic unit |
| (3) VDC control module and hydraulic control unit (VDCCM&H/U) | (9) Spacer |
| (4) Rear RH outlet | (10) Nut |
| (5) Front LH outlet | (11) Bracket - hydraulic unit |
| (6) Front RH outlet | |

Tightening torque: N-m (kgf-m, ft-lb)

T1: 7.5 (0.76, 5.5)

T2: 15 (1.53, 11.1)

T3: 19 (1.94, 14.0)

T4: 33 (3.36, 24.3)

T5: <Ref. to VDC-16, REPLACEMENT, VDC Control Module and Hydraulic Control Unit (VDCCM&H/U).>

General Description

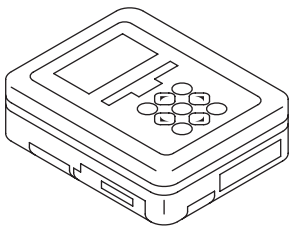
VEHICLE DYNAMICS CONTROL (VDC)

C: CAUTION

- Wear appropriate work clothing, including a helmet, protective goggles and protective shoes when performing any work.
- Remove contamination including dirt and corrosion before removal, installation or disassembly.
- Keep the disassembled parts in order and protect them from dust and dirt.
- Before disconnecting connectors of sensors or units, be sure to disconnect the ground cable from battery.
- Before removal, installation or disassembly, be sure to clarify the failure. Avoid unnecessary removal, installation, disassembly and replacement.
- Vehicle components are extremely hot after driving. Be wary of receiving burns from heated parts.
- Be sure to tighten fasteners including bolts and nuts to the specified torque.
- Place shop jacks or rigid racks at the specified points.
- When removing, installing or replacing the VDCCM&H/U, VDCCM&H/U bracket, steering wheel or steering angle sensor, perform "VDC sensor midpoint setting mode" of the VDC. <Ref. to VDC-19, VDC SENSOR MIDPOINT SETTING MODE, ADJUSTMENT, VDC Control Module and Hydraulic Control Unit (VDCCM&H/U).>

D: PREPARATION TOOL

1. SPECIAL TOOL

| ILLUSTRATION | TOOL NUMBER | DESCRIPTION | REMARKS |
|--|-------------|-------------------------------|--|
|  ST1B022XU0 | 1B022XU0 | SUBARU SELECT MONITOR III KIT | Used for setting of each function and troubleshooting for electrical system. |

2. GENERAL TOOL

| TOOL NAME | REMARKS |
|-----------------------|--|
| Circuit tester | Used for measuring resistance and voltage. |
| Pressure gauge | Used for measuring oil pressure. |
| Oscilloscope | Used for measuring the sensor. |
| Steering wheel puller | Used for removing the steering wheel. |