

# VDC OFF Switch

VEHICLE DYNAMICS CONTROL (VDC)

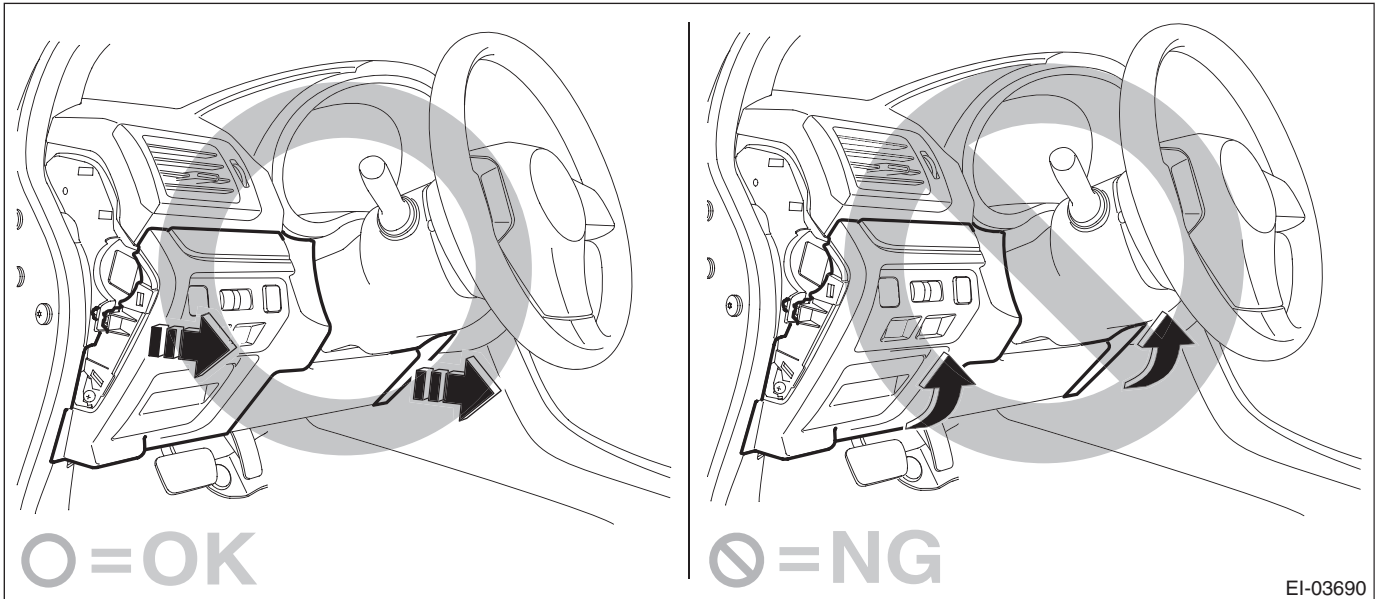
## 13.VDC OFF Switch

### A: REMOVAL

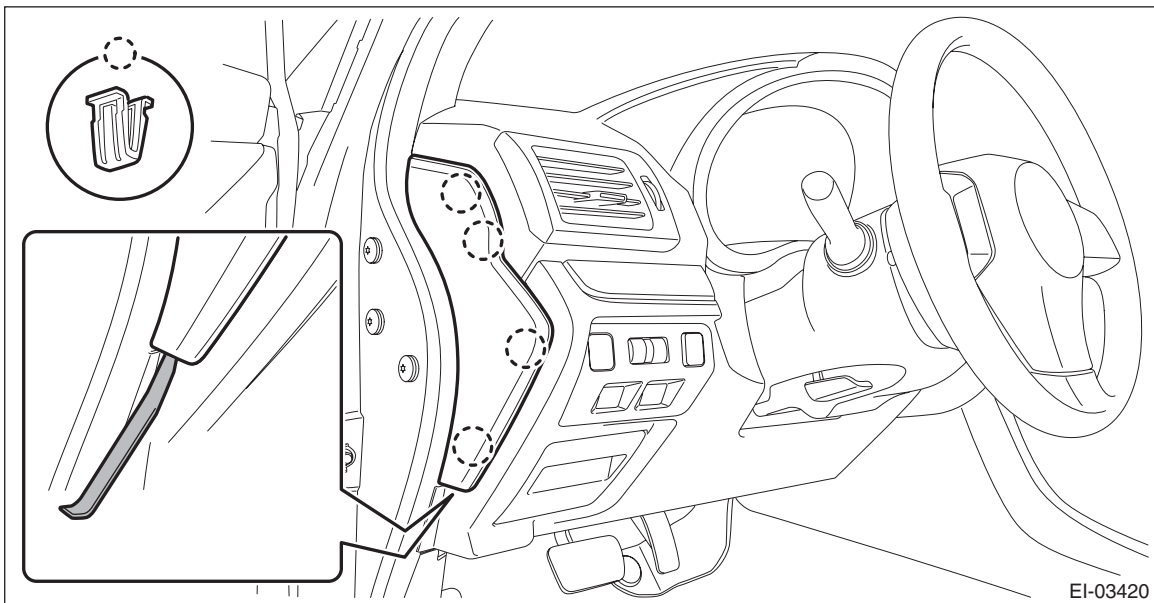
1) Remove the cover assembly - instrument panel LWR driver.

#### CAUTION:

When removing the cover assembly - instrument panel LWR driver, be sure to pull it toward you. If attempting to remove by turning it upward, the claws may be damaged.



(1) Remove the clips, and remove the cover - instrument panel side LH.



#### NOTE:

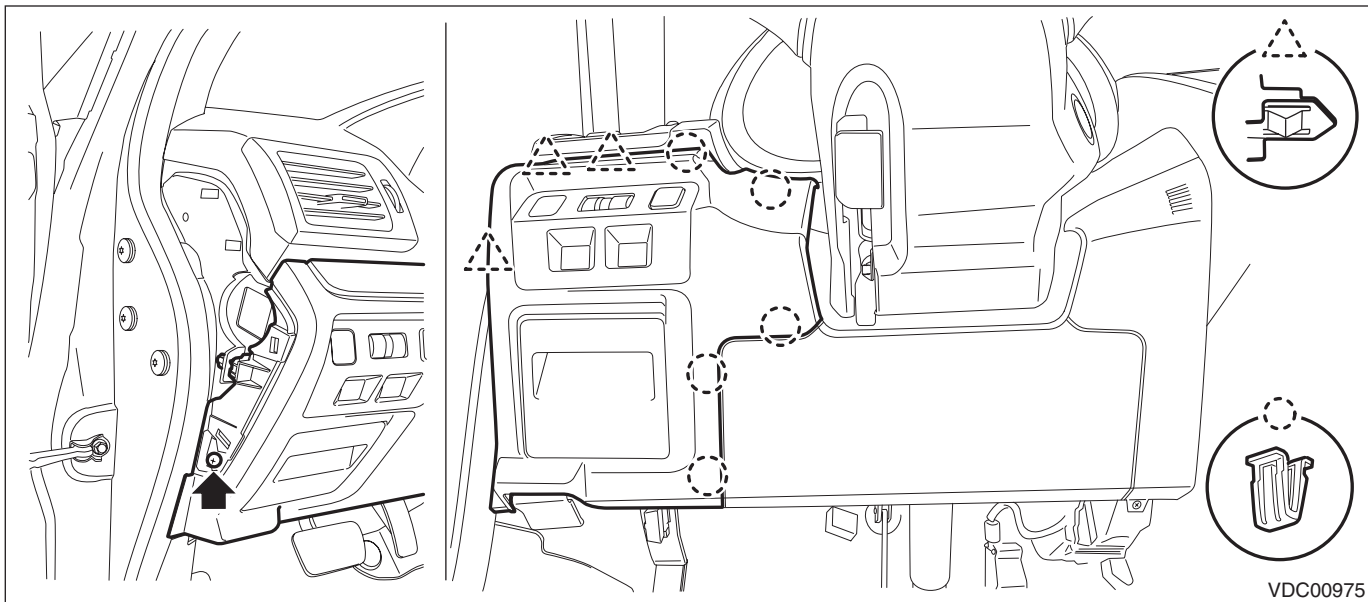
Using a plastic remover, open the cover - instrument panel side LH.

(2) Remove the screws and release the clips and claws.

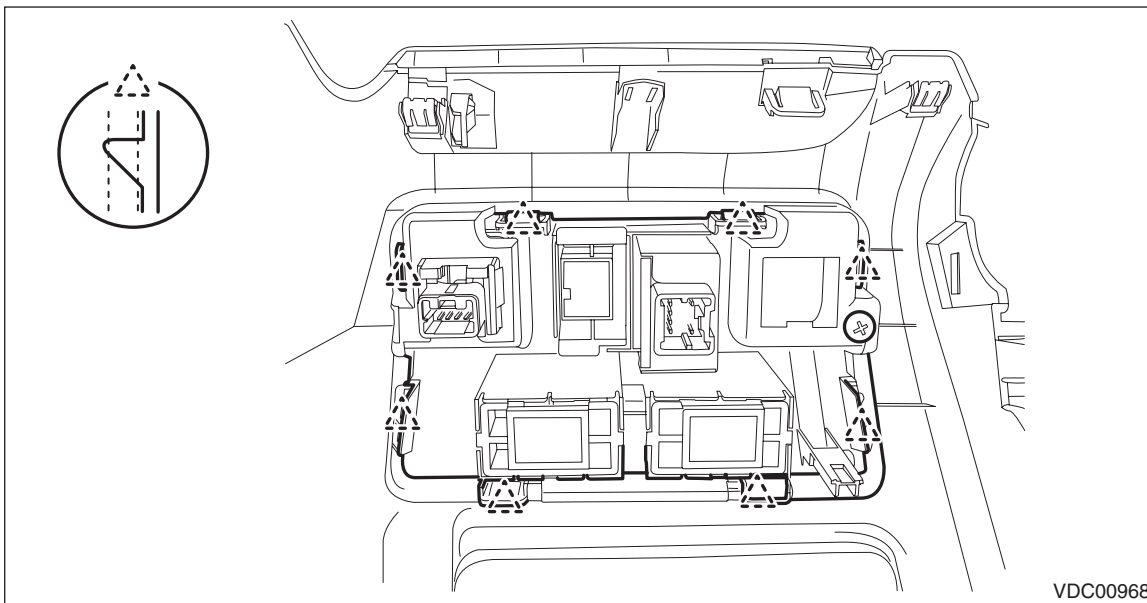
# VDC OFF Switch

VEHICLE DYNAMICS CONTROL (VDC)

(3) Disconnect the harness connectors, and remove the cover assembly - instrument panel LWR driver OUT.



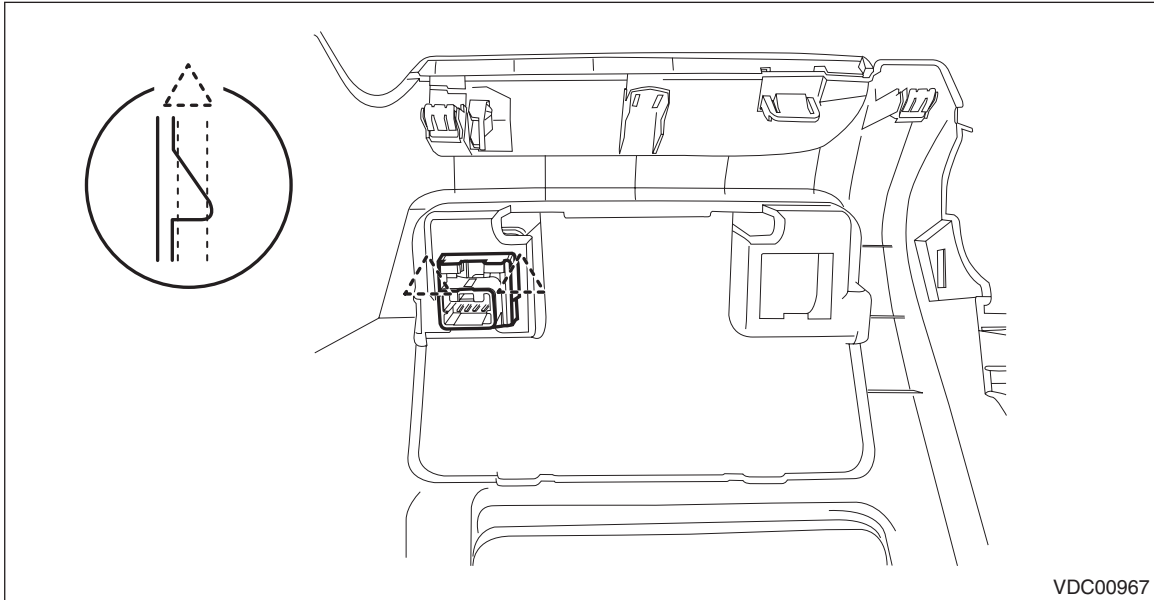
2) Remove the screws and release the claws, then detach the cover.



# VDC OFF Switch

## VEHICLE DYNAMICS CONTROL (VDC)

3) Release the claws and remove the VDC OFF switch.



### B: INSTALLATION

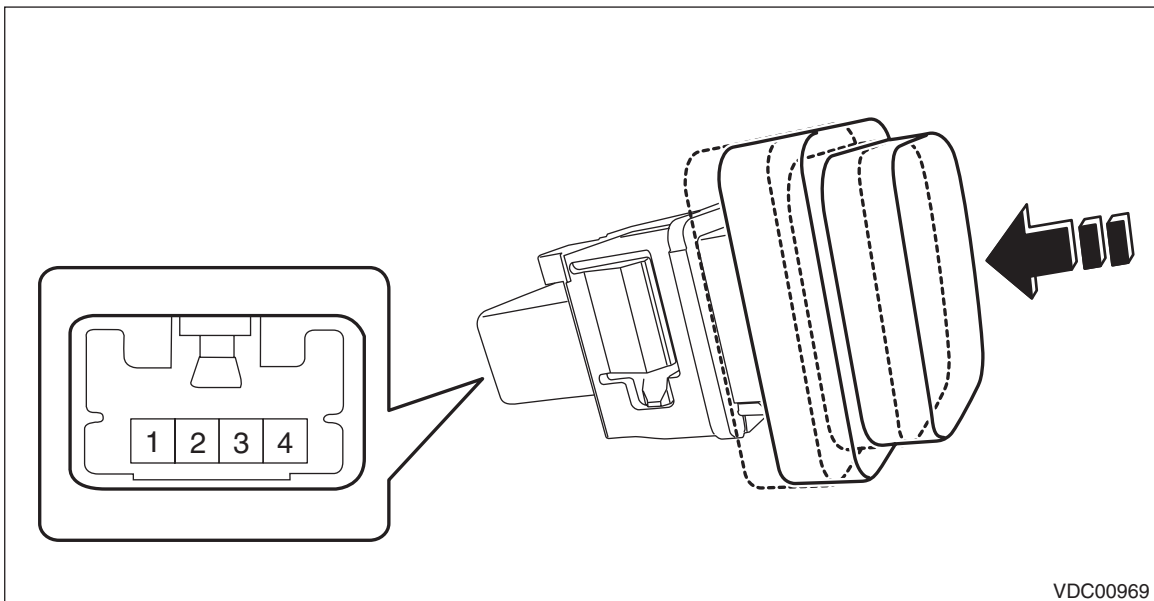
Install each part in the reverse order of removal.

### C: INSPECTION

- 1) Disconnect the VDC OFF switch connector.
- 2) Check the resistance between the VDC OFF switch terminals.

#### PREPARATION TOOL:

*Circuit tester*



Terminal No.	Inspection conditions	Standard
2 — 3	Switch OFF	1 M $\Omega$ or more
	Switch ON	Less than 1 $\Omega$

3) Replace the VDC OFF switch if the inspection result is not within the standard value.

# VEHICLE DYNAMICS CONTROL (VDC) (DIAGNOSTICS)

## *VDC(diag)*

---

	<b>Page</b>
1. Basic Diagnostic Procedure .....	2
2. Check List for Interview .....	4
3. General Description .....	8
4. Electrical Component Location .....	10
5. Control Module I/O Signal .....	12
6. Subaru Select Monitor .....	16
7. Read Diagnostic Trouble Code (DTC) .....	22
8. Inspection Mode .....	23
9. Clear Memory Mode .....	24
10. Warning Light Illumination Pattern .....	25
11. List of Diagnostic Trouble Code (DTC) .....	37
12. Diagnostic Procedure with Diagnostic Trouble Code (DTC) .....	41
13. General Diagnostic Table .....	86