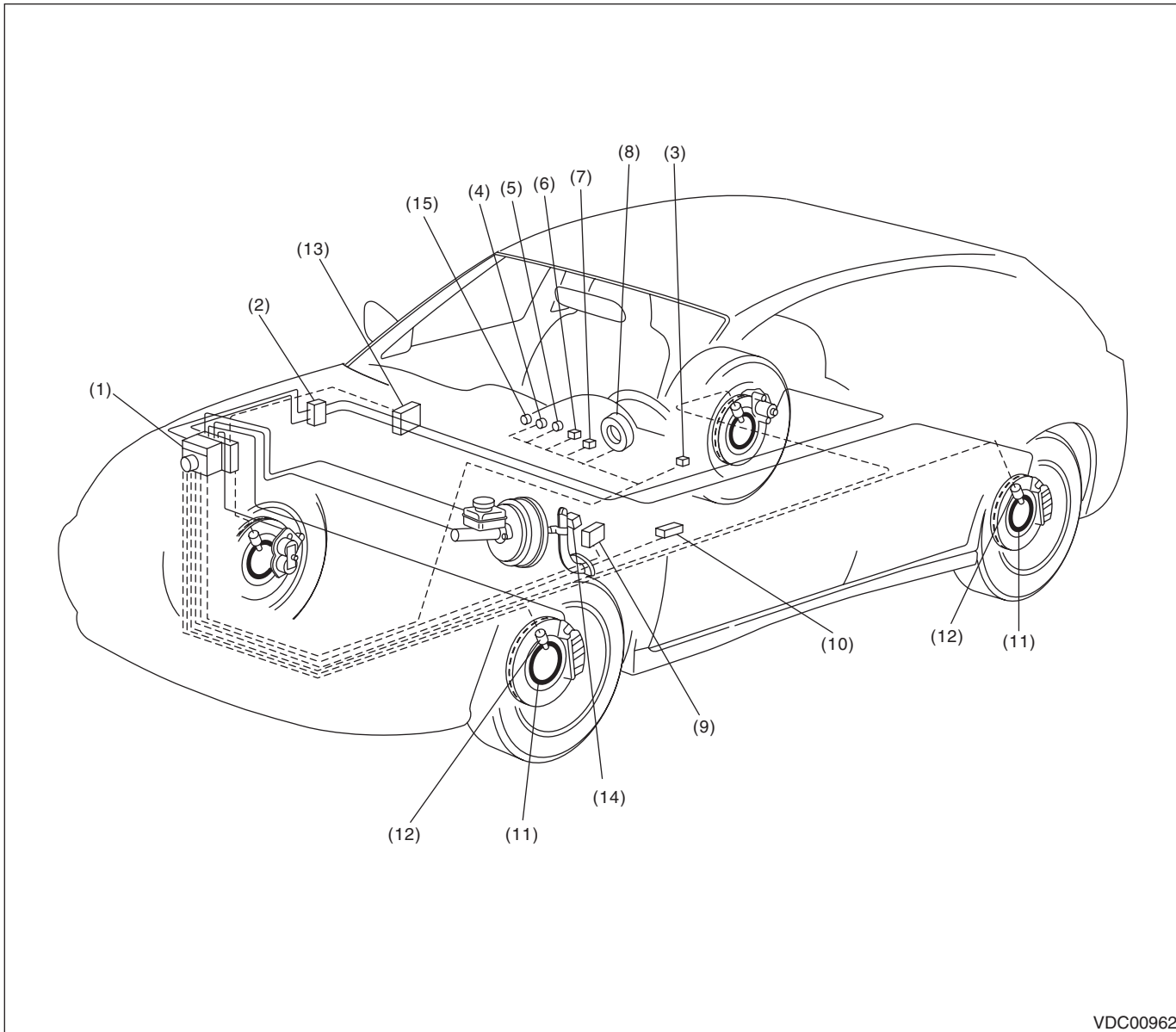


Electrical Component Location

VEHICLE DYNAMICS CONTROL (VDC) (DIAGNOSTICS)

4. Electrical Component Location

A: LOCATION

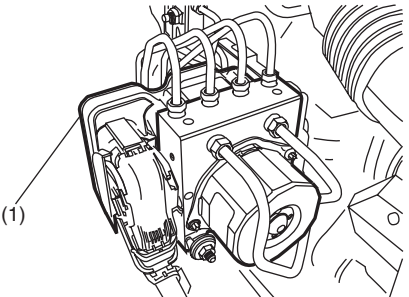
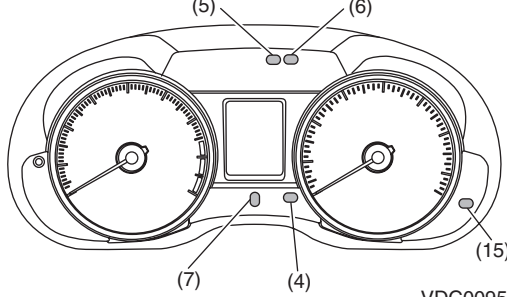
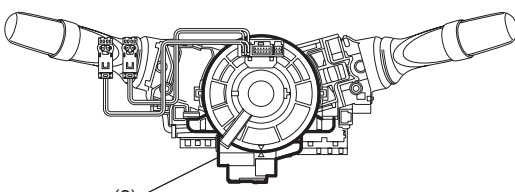
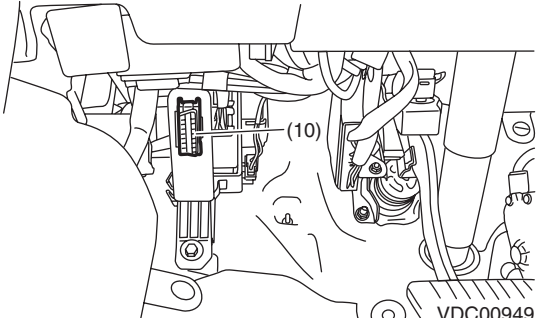
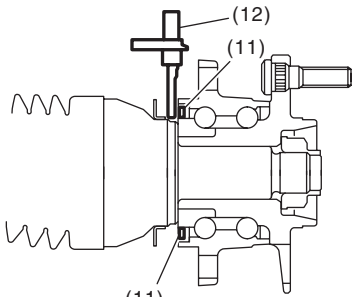


VDC00962

- | | | |
|---------------------------------------------------------------|---------------------------------------------|--------------------------------------|
| (1) VDC control module and hydraulic control unit (VDCCM&H/U) | (6) VDC warning light & VDC indicator light | (11) Magnetic encoder |
| (2) Connector | (7) VDC OFF indicator light | (12) ABS wheel speed sensor |
| (3) VDC OFF switch | (8) Steering angle sensor | (13) Engine control module (ECM) |
| (4) ABS warning light | (9) Transmission control module (TCM) | (14) Stop light switch |
| (5) Brake warning light (EBD warning light) | (10) Data link connector | (15) Hill start assist warning light |

Electrical Component Location

VEHICLE DYNAMICS CONTROL (VDC) (DIAGNOSTICS)

 <p>(1)</p> <p>VDC00948</p>	 <p>(5) (6)</p> <p>(7) (4) (15)</p> <p>VDC00950</p>
 <p>(8)</p> <p>VDC00952</p>	 <p>(10)</p> <p>VDC00949</p>
 <p>(12)</p> <p>(11)</p> <p>(11)</p> <p>VDC00741</p>	<p>SUBARU.</p>