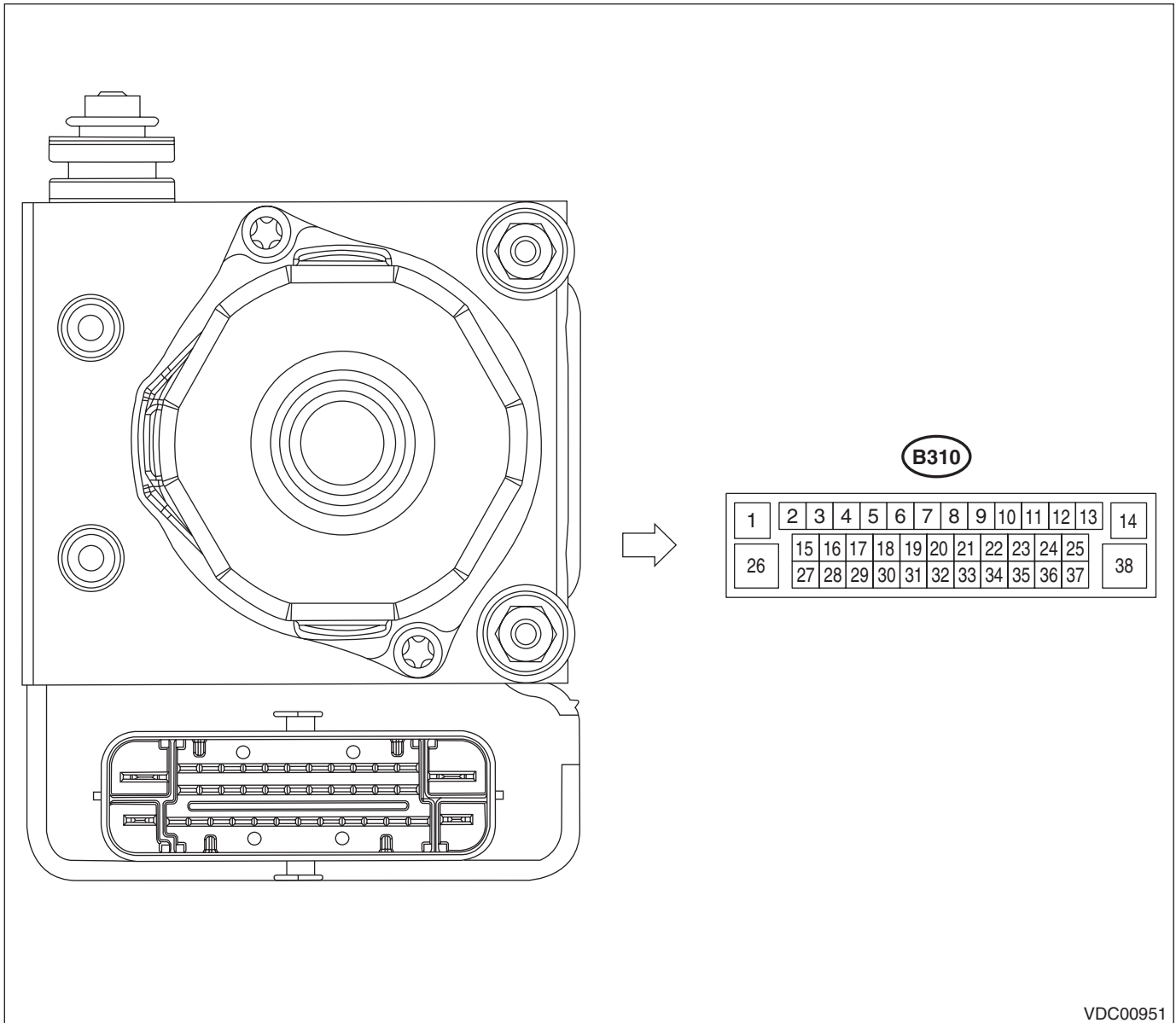


Control Module I/O Signal

VEHICLE DYNAMICS CONTROL (VDC) (DIAGNOSTICS)

5. Control Module I/O Signal

A: ELECTRICAL SPECIFICATION



VDC00951

NOTE:

- Terminal numbers in VDCCM&H/U connector are shown in the figure.
- When the connector is removed from the VDCCM&H/U, the brake warning light (EBD warning light), ABS warning light, VDC warning light & VDC indicator light, VDC OFF indicator light, and the hill start assist warning light illuminate.

Control Module I/O Signal

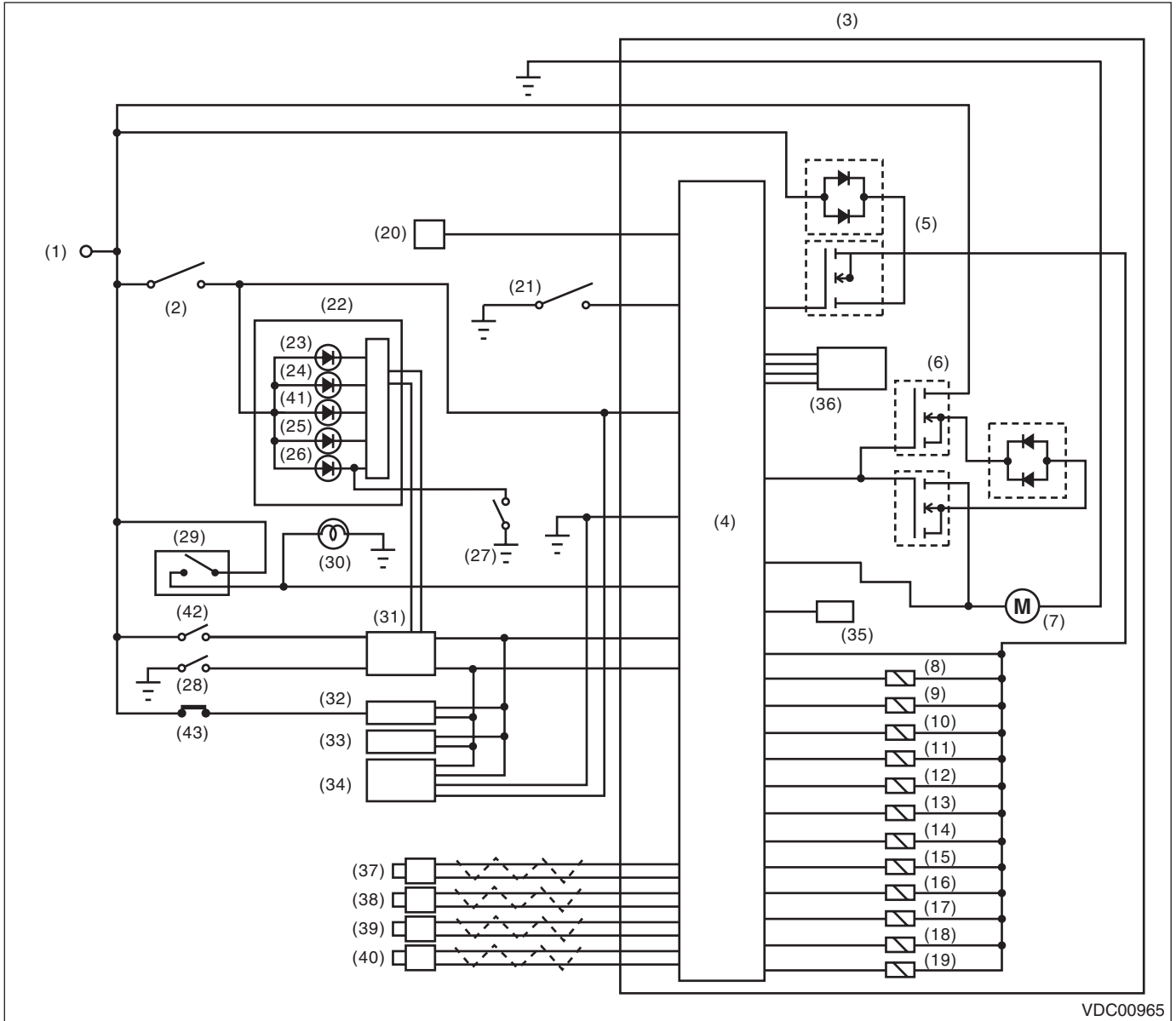
VEHICLE DYNAMICS CONTROL (VDC) (DIAGNOSTICS)

Content		Terminal No. (+) — (-)	Input/Output signal	
			Measured value and measuring conditions	
Power supply		4 — 14	10 — 15 V when the ignition switch is ON.	
ABS wheel speed sensor	Front LH wheel	Power supply	20 — 14	0 — 18 V
		Signal	8	7 — 14 mA: Rectangle waveform
	Front RH wheel	Power supply	17 — 14	0 — 18 V
		Signal	29	7 — 14 mA: Rectangle waveform
	Rear LH wheel	Power supply	7 — 14	0 — 18 V
		Signal	19	7 — 14 mA: Rectangle waveform
	Rear RH wheel	Power supply	18 — 14	0 — 18 V
		Signal	5	7 — 14 mA: Rectangle waveform
CAN communication line (H)		2	2.75 — 4.5 V pulse signal	
CAN communication line (L)		15	0.5 — 2.25 V pulse signal	
Valve relay power supply		1 — 14	10 — 15 V when the ignition switch is ON.	
Motor relay power supply		26 — 38	10 — 15 V when the ignition switch is ON.	
Stop light switch		6 — 14	1.5 V or less when the stop light is OFF; otherwise, 10 — 15 V when the stop light is ON.	
Vehicle speed output signal		27	0 ↔ 12 V pulse	
VDC OFF switch		37 — 14	1 Ω or less when the OFF switch is “ON”; 1 MΩ or more when the switch is “OFF”.	
Ground		14	—	
Ground		38	—	

Control Module I/O Signal

VEHICLE DYNAMICS CONTROL (VDC) (DIAGNOSTICS)

B: WIRING DIAGRAM



VDC00965

Control Module I/O Signal

VEHICLE DYNAMICS CONTROL (VDC) (DIAGNOSTICS)

(1) Battery	(16) Primary cut solenoid valve	(30) Stop light
(2) Ignition switch	(17) Primary suction solenoid valve	(31) Body integrated unit
(3) VDC control module and hydraulic control unit (VDCCM&H/U)	(18) Secondary cut solenoid valve	(32) Engine control module (ECM)
(4) VDC control module	(19) Secondary suction solenoid valve	(33) Transmission control module (TCM) (AT model)
(5) Valve relay	(20) Data link connector	(34) Steering angle sensor
(6) Motor relay	(21) VDC OFF switch	(35) Yaw rate & G sensor
(7) Motor	(22) Combination meter	(36) Pressure sensor
(8) Front inlet solenoid valve LH	(23) VDC OFF indicator light	(37) Front ABS wheel speed sensor LH
(9) Front outlet solenoid valve LH	(24) VDC warning light & VDC indicator light	(38) Front ABS wheel speed sensor RH
(10) Front inlet solenoid valve RH	(25) ABS warning light	(39) Rear ABS wheel speed sensor LH
(11) Front outlet solenoid valve RH	(26) Brake warning light (EBD warning light)	(40) Rear ABS wheel speed sensor RH
(12) Rear inlet solenoid valve LH	(27) Brake fluid level switch	(41) Hill start assist warning light
(13) Rear outlet solenoid valve LH	(28) Parking brake switch	(42) Back-up light switch (MT model)
(14) Rear inlet solenoid valve RH	(29) Stop light switch	(43) Clutch switch (MT model)
(15) Rear outlet solenoid valve RH		