

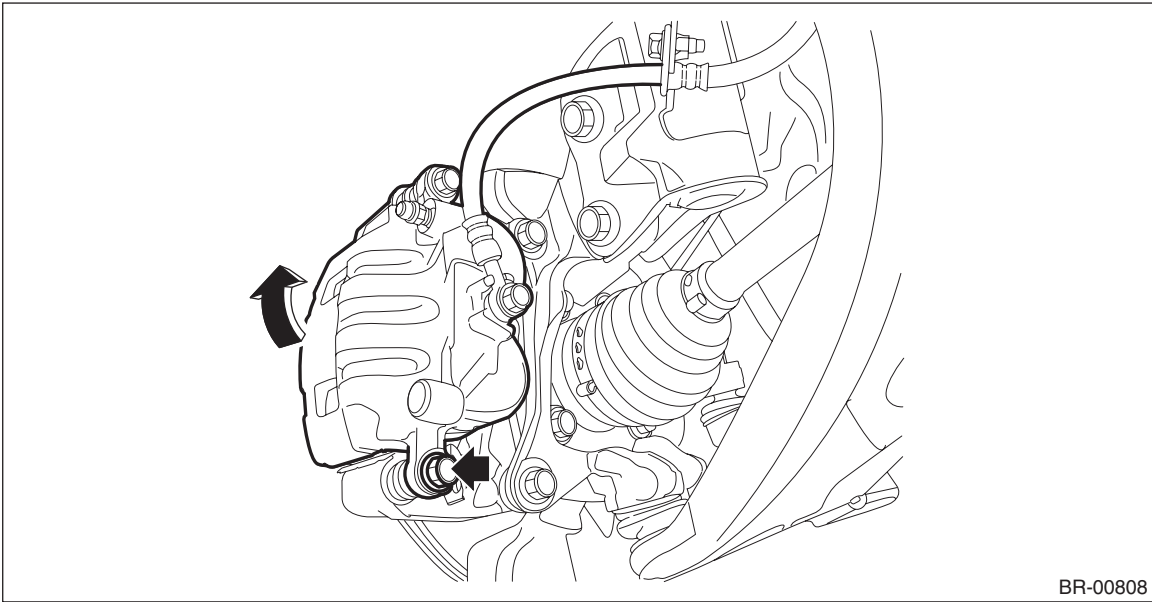
# Front Brake Pad

## BRAKE

### 2. Front Brake Pad

#### A: REMOVAL

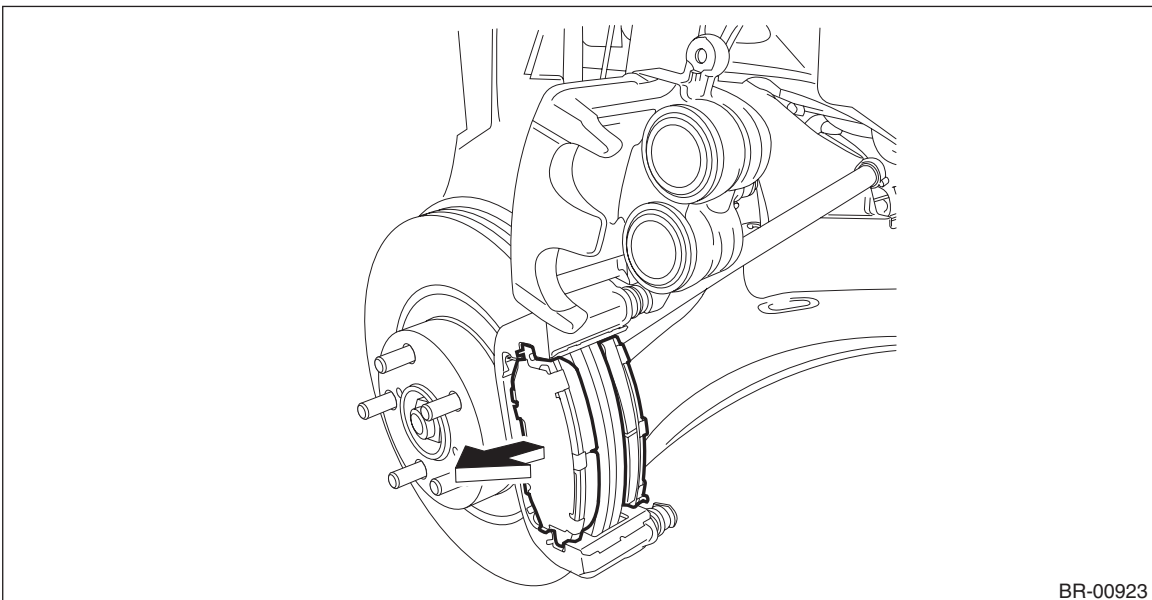
- 1) Lift up the vehicle, and then remove the front wheels.
- 2) Remove the front brake pad.
  - (1) Remove the caliper bolt on the lower side.
  - (2) Raise the caliper body assembly and support it.



#### NOTE:

Do not disconnect the brake hose from the caliper body assembly.

- (3) Remove the brake pad from support - front disc brake.



## B: INSTALLATION

**NOTE:**

Before installation, remove mud and foreign matter from the caliper body assembly and support - front disc brake.

- 1) Check the brake pad. <Ref. to BR-17, INSPECTION, Front Brake Pad.>
- 2) Apply a thin coat of grease to the pad clip. (A)

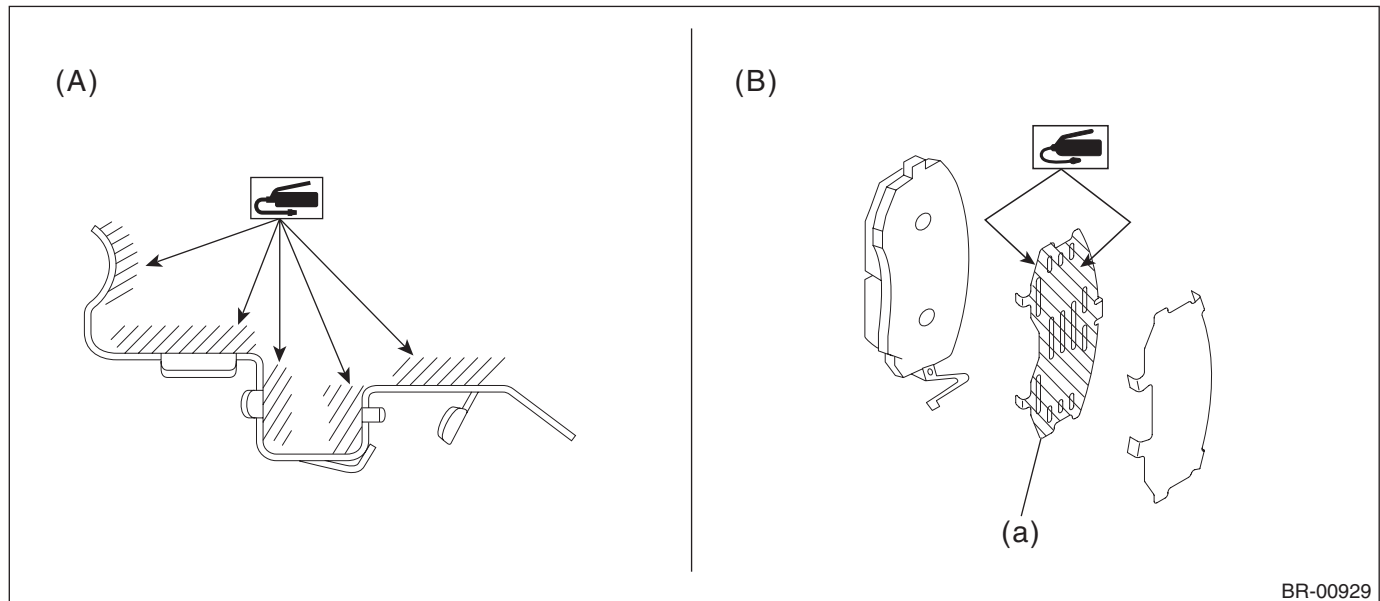
**Grease:**

***Molykote M7439 (Part No. 003602001) or an item contained in the pad kit***

- 3) Apply a thin coat of grease to the pad and both sides of the shim - disc brake front inner (a). (B)

**Grease:**

***Molykote AS880N (Part No. K0777YA010) or an item contained in the pad kit***



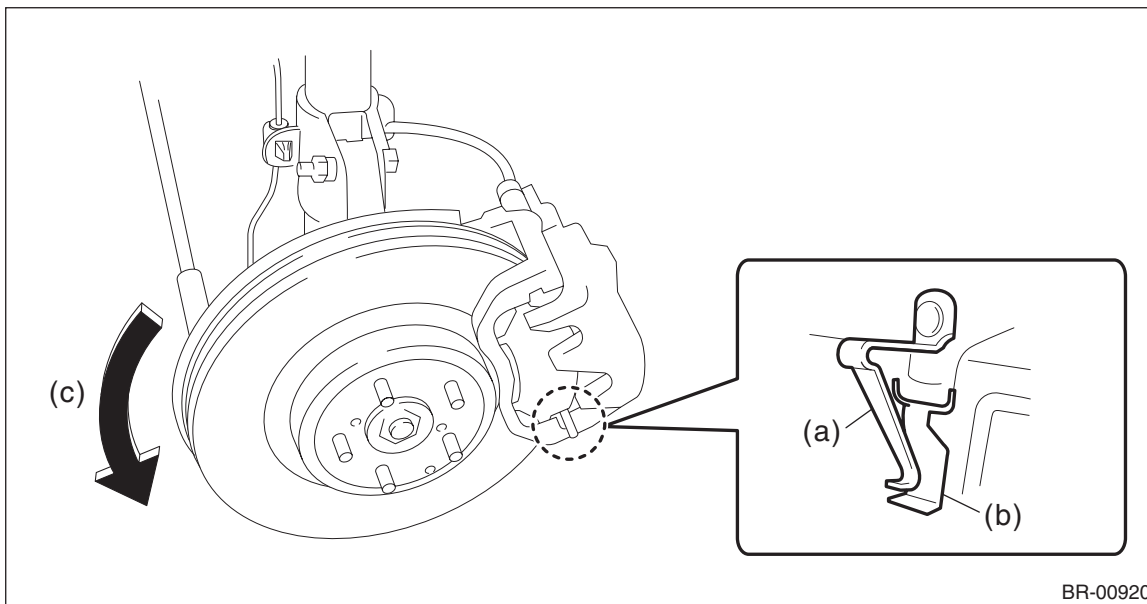
# Front Brake Pad

## BRAKE

4) Install the brake pad to the support - front disc brake.

### CAUTION:

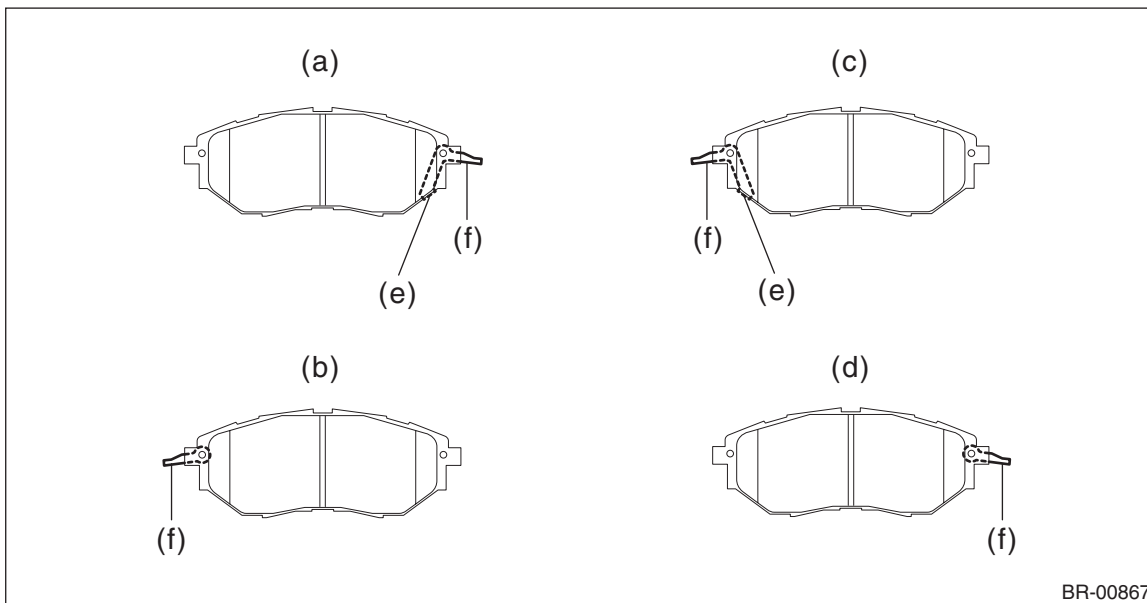
- Be sure to install so that the pad return spring faces the input side of the direction of brake rotor rotation, as shown in the figure.
- Correctly install the pad return spring to the supporting surface of the pad clip as shown in the figure.
- If the pad return spring is deformed or damaged, replace the brake pad with a new part.



(a) Pad return spring                      (b) Supporting surface of pad clip                      (c) Direction of brake rotor rotation

### NOTE:

Install the brake pad indicator in proper direction.



(a) LH — IN                      (c) RH — IN                      (e) Pad indicator  
(b) LH — OUT                      (d) RH — OUT                      (f) Pad return spring

5) Install the caliper body assembly to the support - front disc brake.

**Tightening torque:**

**Caliper bolt: 27 N·m (2.75 kgf·m, 19.9 ft·lb)**

6) Install the front wheels.

**Tightening torque:**

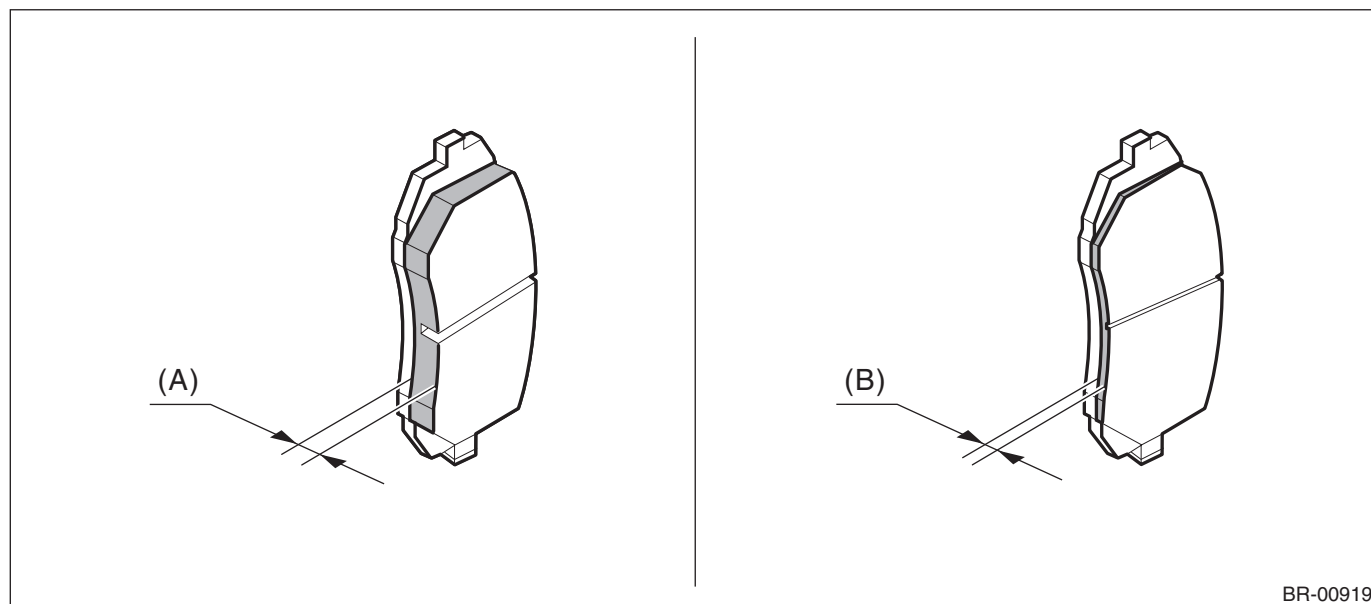
**120 N·m (12.24 kgf·m, 88.5 ft·lb)**

## C: INSPECTION

1) Check the pad thickness (A).

**NOTE:**

- Always replace the pads of both wheels and both sides as a set.
- Replace pad clips if they are twisted or worn.
- Replace the pad if there is oil or grease on it.



BR-00919

	Standard (A)	Wear limit (B)
Pad thickness	11 mm (0.43 in)	1.5 mm (0.059 in)

**NOTE:**

- Always replace the pads of both wheels and both sides as a set.
- Replace pad clips if they are twisted or worn.
- Wear indicators are installed on the inner and outer disc brake pads.

If the pad is worn to the limit, the end of wear indicator contacts disc rotor, and a squeaking sound is heard as the wheel rotates. If the sound is heard, replace the pad.

- Replace the pad if there is oil or grease on it.

2) If the wear limit is exceeded in the inspection, replace the brake pad.