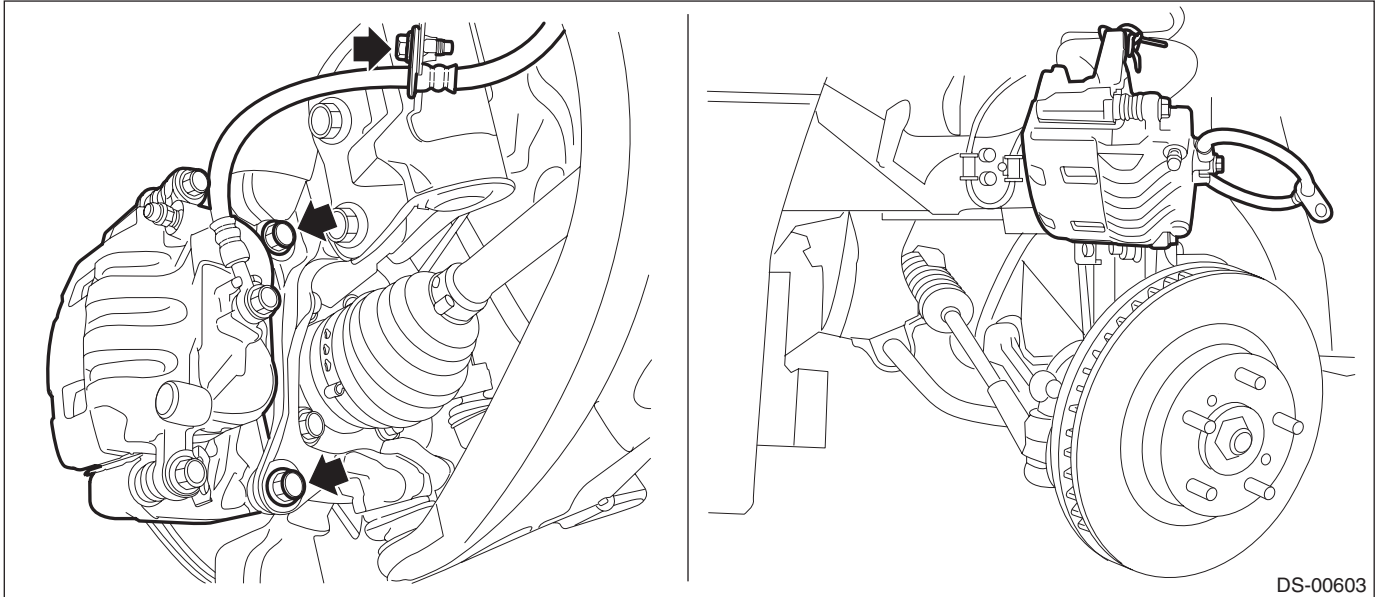


## 3. Front Disc Rotor

### A: REMOVAL

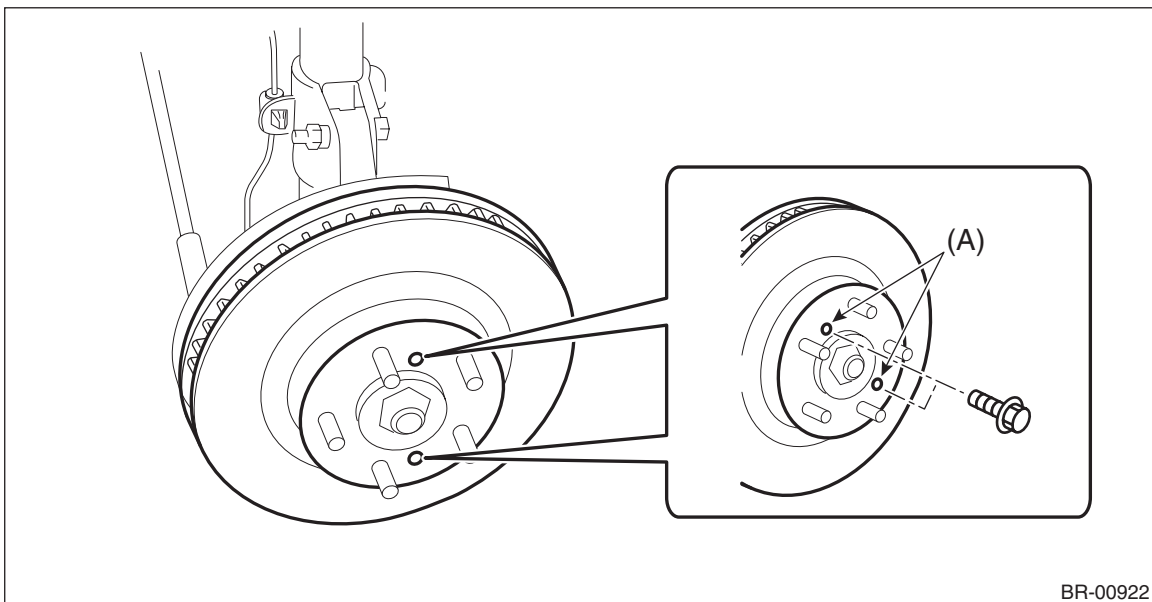
- 1) Lift up the vehicle, and then remove the front wheels.
- 2) Remove the caliper body assembly from the housing assembly - front axle.
  - (1) Remove the bolt from the brake hose bracket.
  - (2) Remove the mounting bolt, and remove the caliper body assembly.
  - (3) Prepare wiring harnesses etc. to be discarded, and suspend the caliper body assembly from the strut assembly.



- 3) Remove the front disc rotor.

#### NOTE:

When the disc rotor is difficult to be removed from the hub unit COMPL - front axle, screw in 8 mm (0.31 in) bolt to the threaded part of the disc rotor (A), and remove the disc rotor.



## B: INSTALLATION

### NOTE:

Before installation, remove mud and foreign matter from the caliper body assembly.

- 1) Before installation, check the front disc rotor. <Ref. to BR-19, INSPECTION, Front Disc Rotor.>
- 2) Install each part in the reverse order of removal.

### **Tightening torque:**

**Brake hose bracket: 33 N·m (3.36 kgf-m, 24.3 ft-lb)**

**Mounting bolt: 80 N·m (8.16 kgf-m, 59.0 ft-lb)**

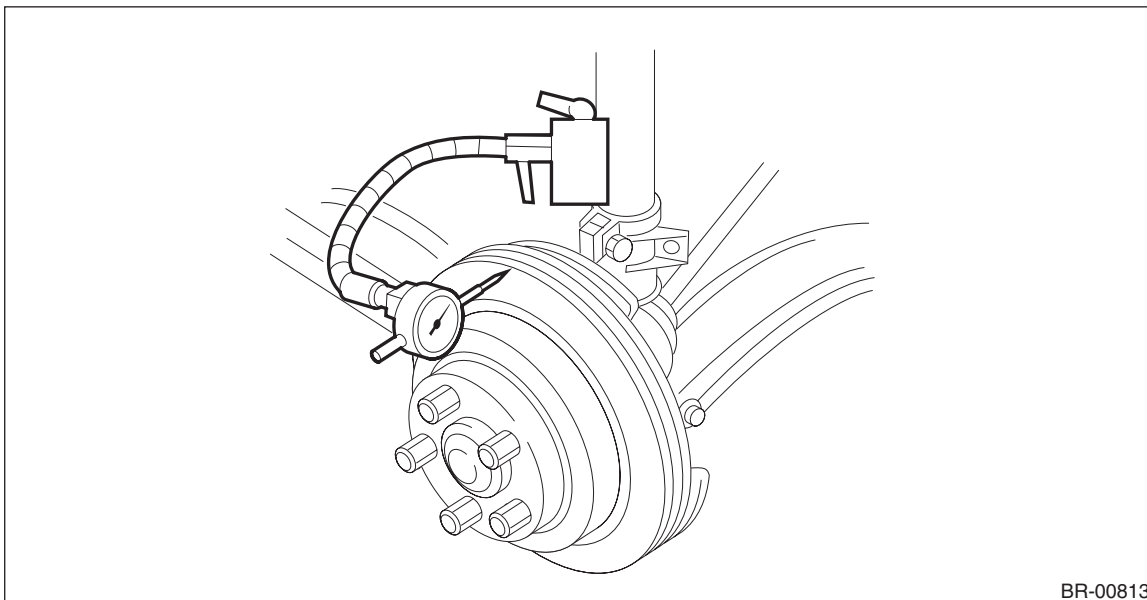
**Front wheel: 120 N·m (12.24 kgf-m, 88.5 ft-lb)**

## C: INSPECTION

### 1. DISC ROTOR RUNOUT CHECK

- 1) Check the hub unit COMPL - front axle for free play and runout before the inspection of disc rotor runout limit. <Ref. to DS-34, INSPECTION, Front Hub Unit Bearing.>
- 2) Tighten the wheel nuts to secure disc rotor.
- 3) Set a dial gauge 10 mm (0.39 in) inward from the disc rotor outer circumference, and check the disc rotor runout while rotating the disc rotor.

**Disc rotor runout limit: 0.05 mm (0.0020 in)**



BR-00813

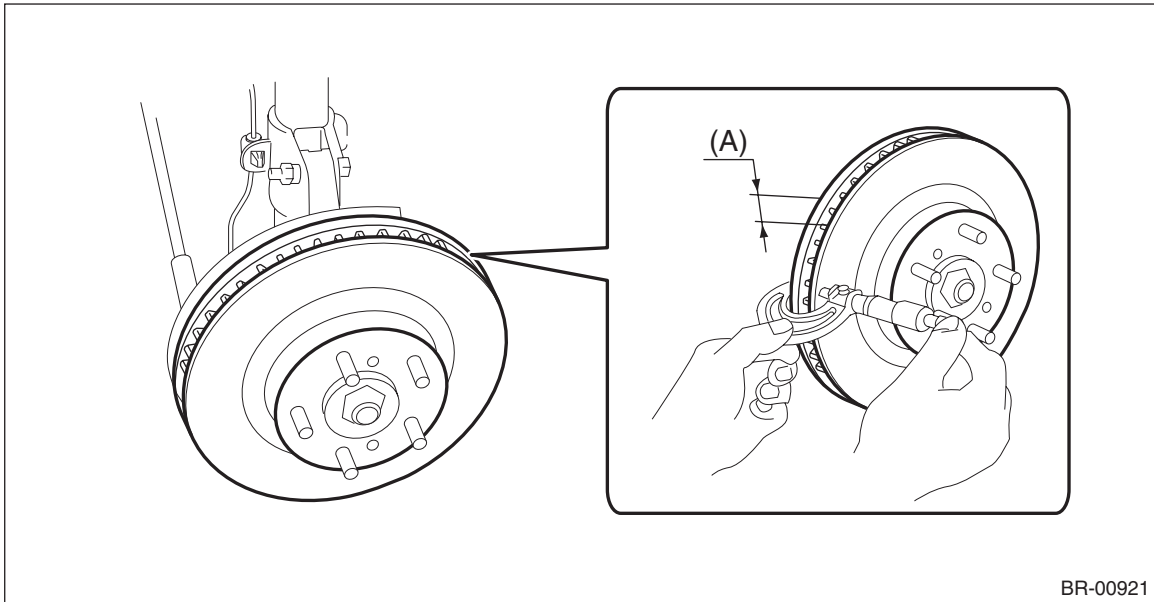
- 4) If the runout limit is exceeded in the inspection, replace the disc rotor.

# Front Disc Rotor

## BRAKE

### 2. DISC ROTOR THICKNESS CHECK

1) Set a micrometer 10 mm (0.39 in) inward from the disc rotor outer perimeter, and then measure the disc rotor thickness (A).



BR-00921

	Size	Standard	Wear limit	Disc rotor outer diameter
Disc rotor thickness (A)	15-inch	24 mm (0.94 in)	22 mm (0.87 in)	277 mm (10.91 in)
	16-inch			294 mm (11.57 in)

2) If the wear limit is exceeded in the inspection, replace the disc rotor.