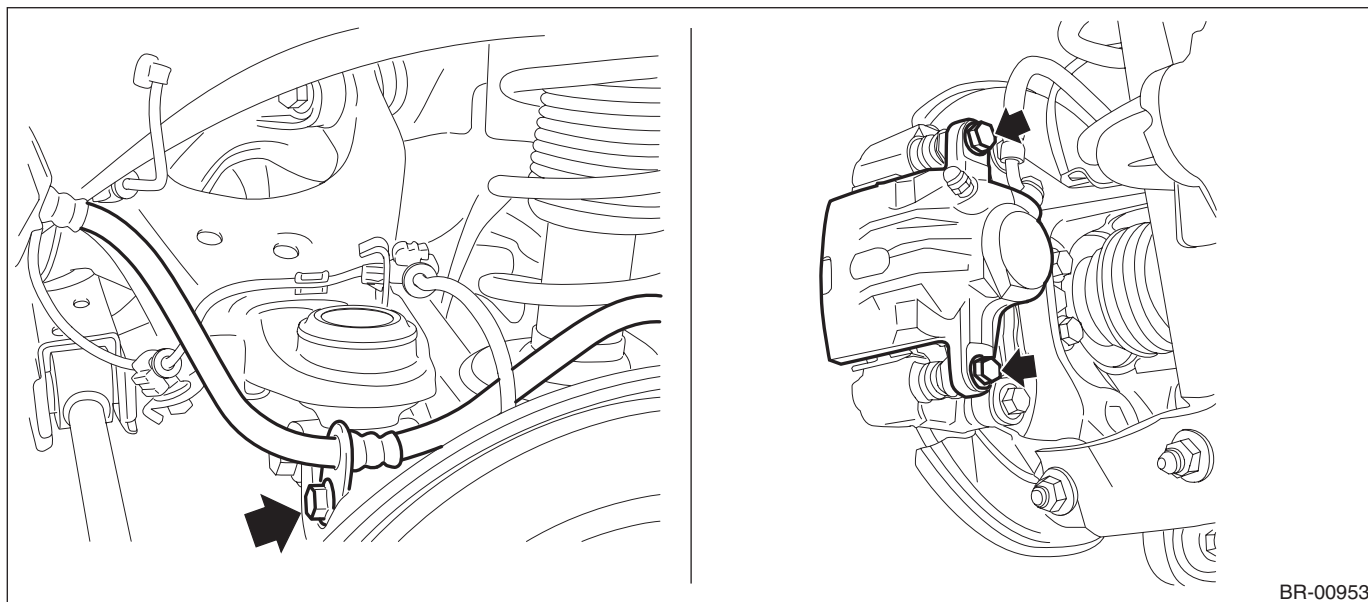


5. Rear Brake Pad

A: REMOVAL

- 1) Lift up the vehicle, and then remove the rear wheels.
- 2) Remove the rear brake pad.
 - (1) Remove the bolts and remove the brake hose bracket.
 - (2) Remove the caliper bolt, and raise and hold the caliper body assembly.

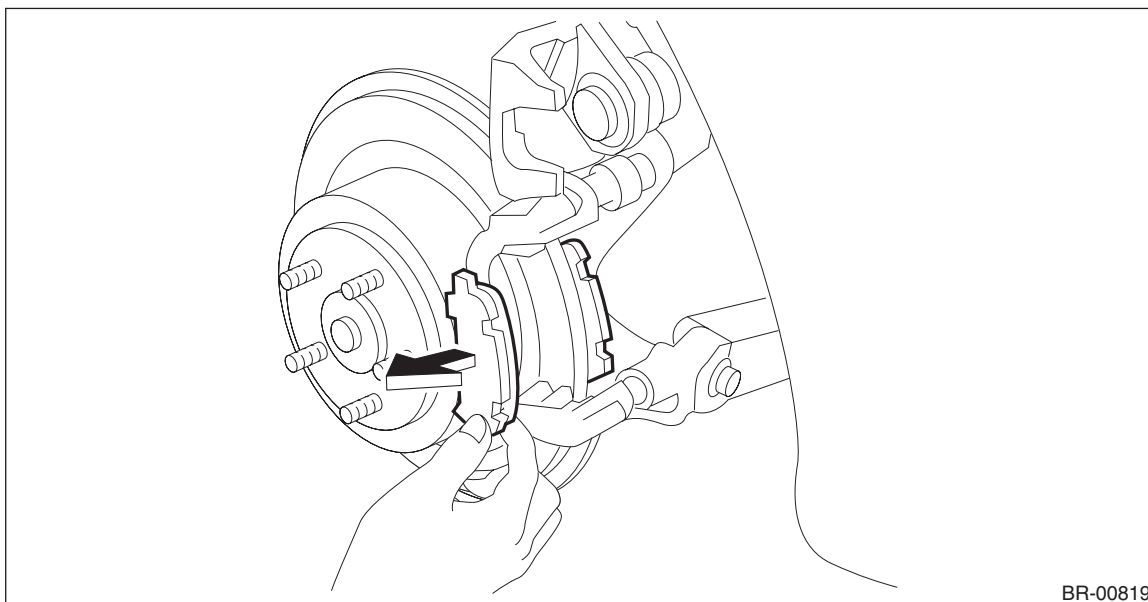


BR-00953

NOTE:

Do not disconnect the brake hose from the caliper body assembly.

- (3) Remove the brake pad from support - rear disc brake.



BR-00819

Rear Brake Pad

BRAKE

B: INSTALLATION

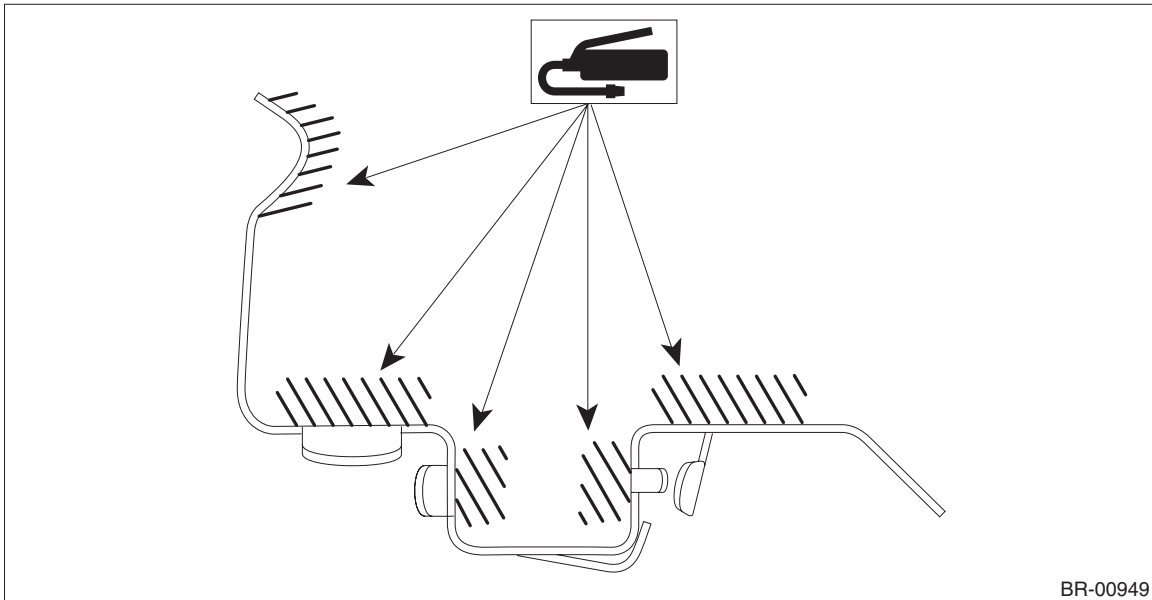
NOTE:

Before installation, remove mud and foreign matter from the caliper body assembly and support - rear disc brake.

- 1) Before installation, check the brake pad. <Ref. to BR-31, INSPECTION, Rear Brake Pad.>
- 2) Apply a thin coat of grease to the pad clip.

Grease:

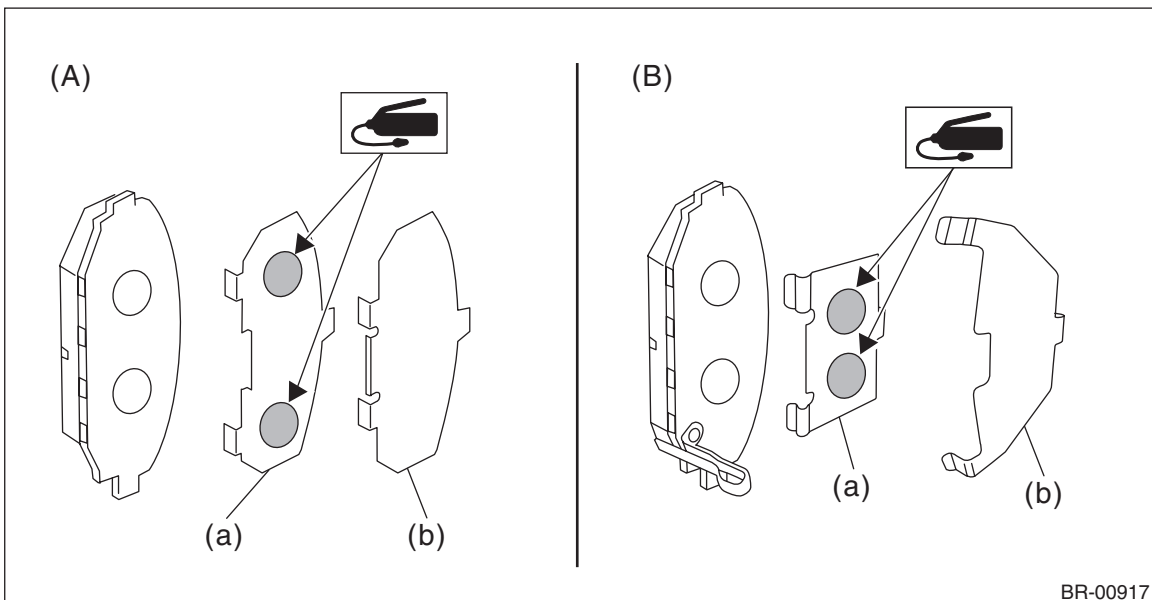
Molykote M7439 (Part No. 003602001) or an item contained in the pad kit



- 3) Apply a thin coat of grease to the shim - disc brake rear inner (a) and the shim - disc brake rear outer (b).

Grease:

Grease contained in the pad kit or WAKO grease V160



(A) Pad - disc brake rear outer

(B) Pad - disc brake rear inner

- 4) Install the brake pad to the support - rear disc brake.

5) Install the caliper body assembly to the support - rear disc brake.

Tightening torque:

Caliper bolt: 27 N·m (2.75 kgf-m, 19.9 ft-lb)

6) Install the brake hose bracket.

Tightening torque:

Brake hose bracket: 33 N·m (3.36 kgf-m, 24.3 ft-lb)

7) Install the rear wheels.

Tightening torque:

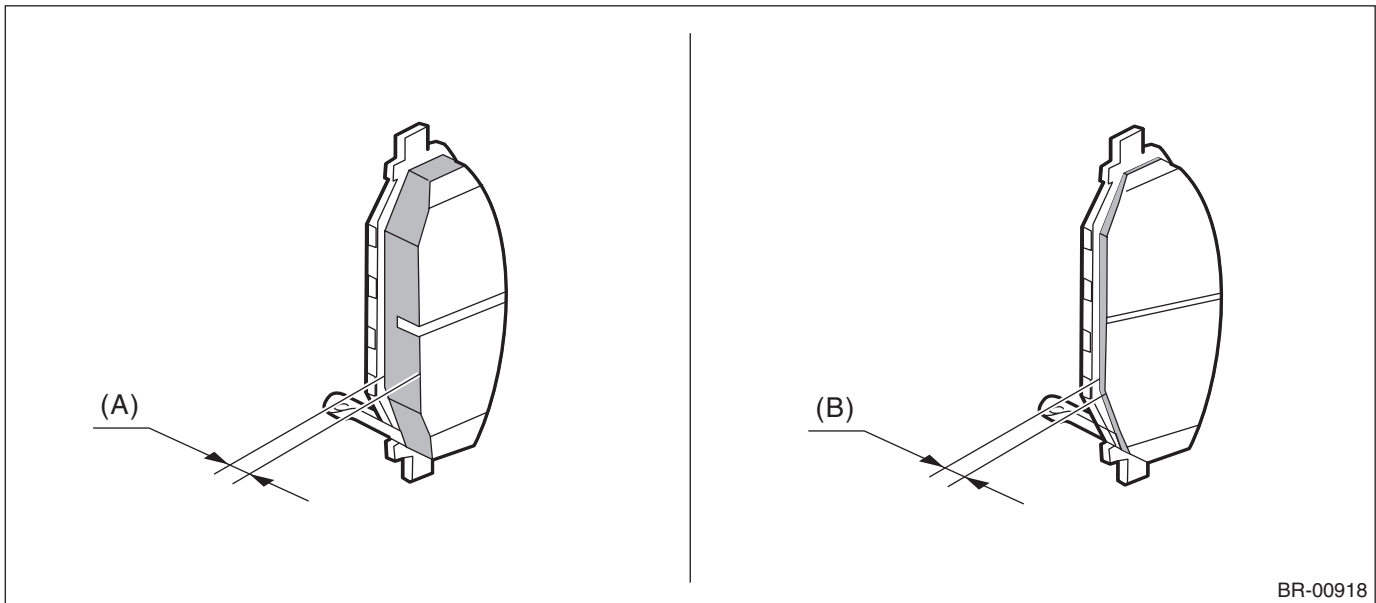
120 N·m (12.24 kgf-m, 88.5 ft-lb)

C: INSPECTION

1) Check the pad thickness.

NOTE:

- Always replace the pads of both wheels and both sides as a set.
- Replace pad clips if they are twisted or worn.
- Replace the pad if there is oil or grease on it.
- A wear indicator is installed on the pad - disc brake rear inner. If the pad is worn to the limit, the end of wear indicator contacts disc rotor, and a squeaking sound is heard as the wheel rotates. If the sound is heard, replace the pad.



BR-00918

	Disc rotor type	Standard (A)	Wear limit (B)
Pad thickness	Solid	9 mm (0.35 in)	1.5 mm (0.059 in)

2) If the wear limit is exceeded in the inspection, replace the brake pad.