

Rear Disc Brake Assembly

BRAKE

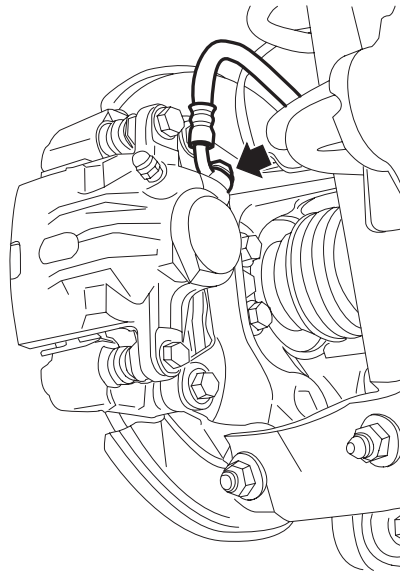
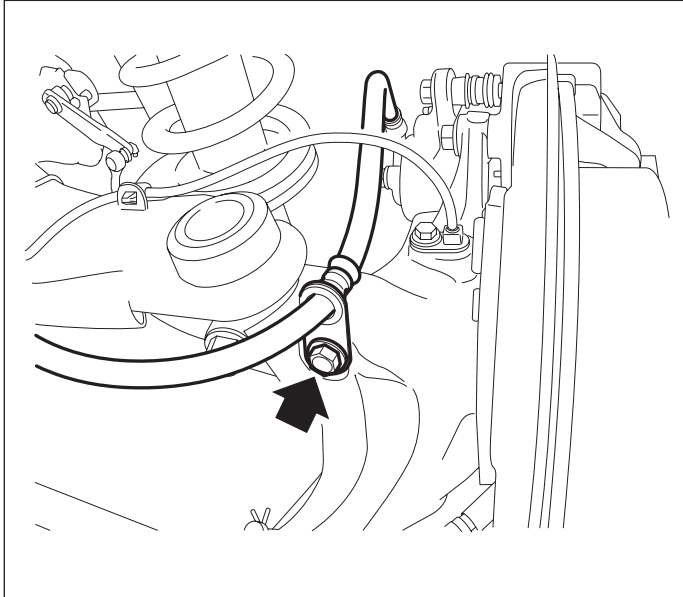
7. Rear Disc Brake Assembly

A: REMOVAL

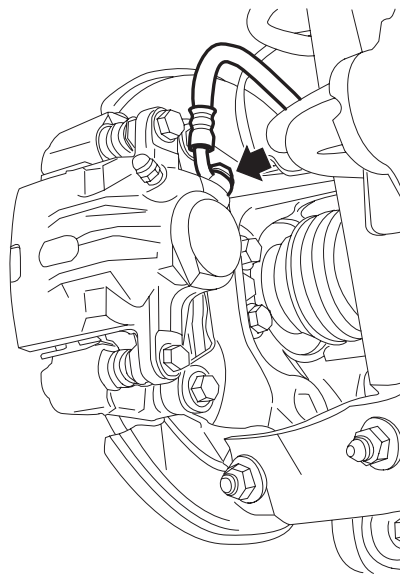
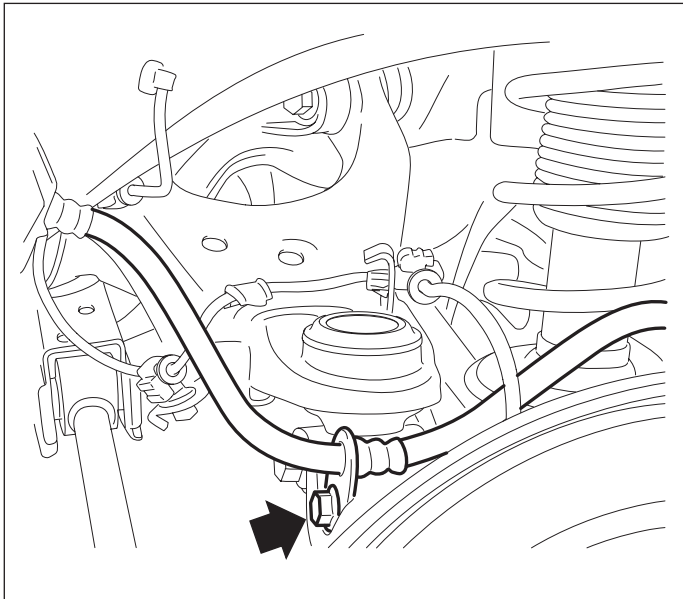
CAUTION:

Do not allow brake fluid to come in contact with the painted surface of the vehicle body. If it does, wash off with water and wipe away completely.

- 1) Lift up the vehicle, and then remove the rear wheels.
- 2) Remove the caliper body assembly from the support - rear disc brake.
 - (1) Remove the brake hose bracket and union bolt.

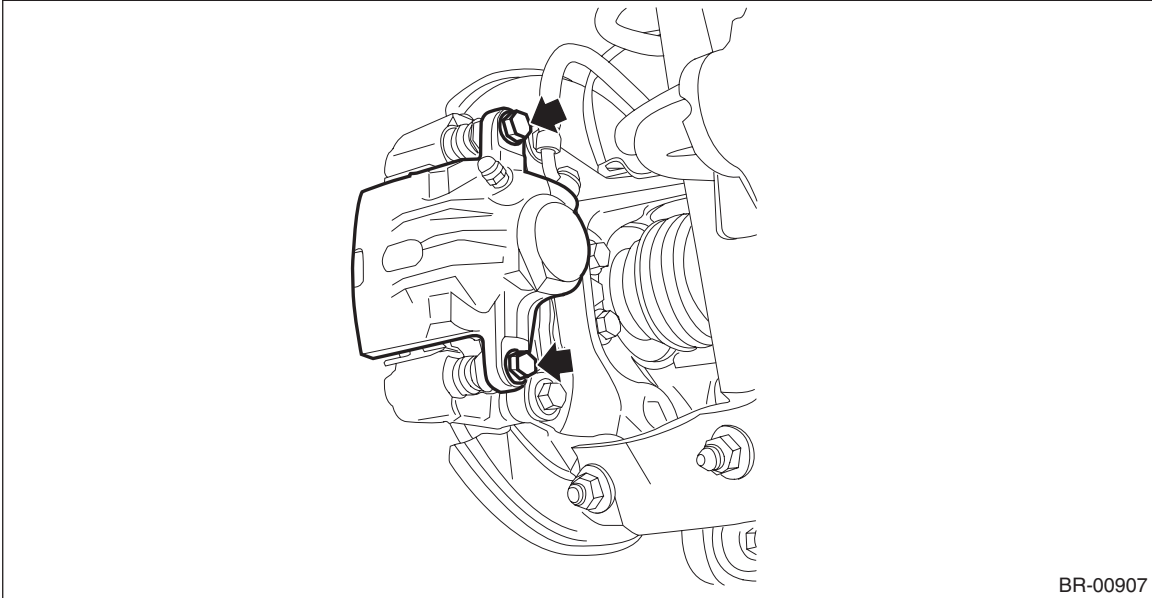


BR-00964



BR-01003

- (2) Remove the caliper bolt, and remove the caliper body assembly.



- 3) Remove the support - rear disc brake.

NOTE:

Remove the support - rear disc brake only when replacing the disc rotor or the support - rear disc brake. It is not necessary to remove it when servicing the caliper body assembly.

- (1) Remove the brake pad from support - rear disc brake.
- (2) Remove the mounting bolts, and then remove the support - rear disc brake from the housing assembly - rear axle.

B: INSTALLATION

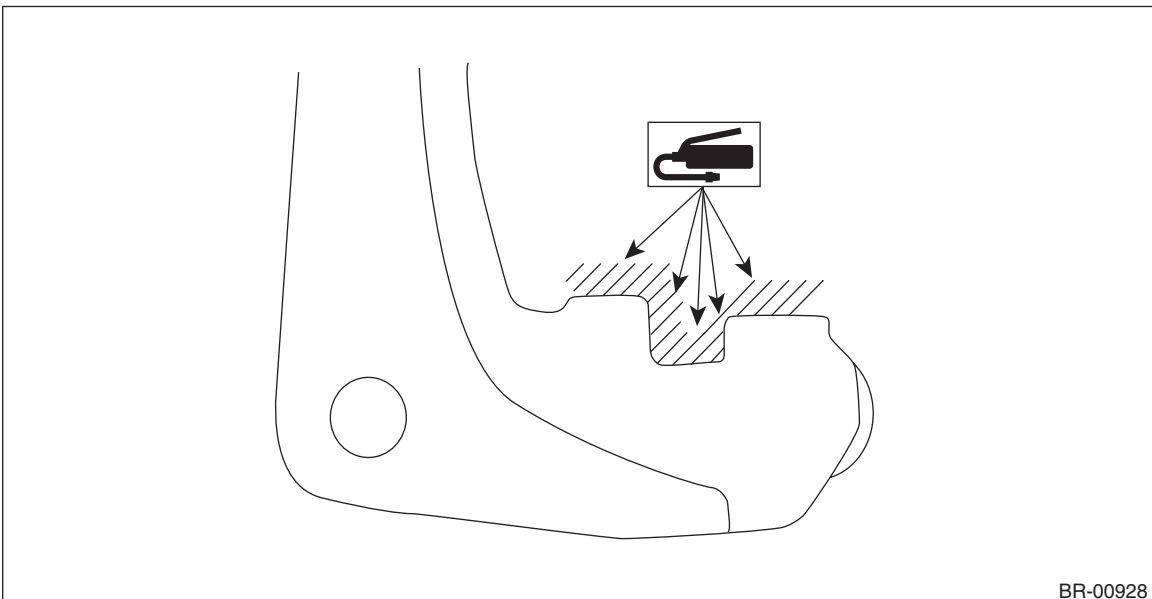
NOTE:

Before installation, remove mud and foreign matter from the caliper body assembly and support - rear disc brake.

- 1) Before installation, check each part. <Ref. to BR-43, INSPECTION, Rear Disc Brake Assembly.>
- 2) Apply a thin coat of grease included with pad kit to the support - rear disc brake.

Grease:

Molykote M7439 (Part No. 003602001) or an item contained in the pad kit



Rear Disc Brake Assembly

BRAKE

3) Install the support - rear disc brake to the housing assembly - rear axle.

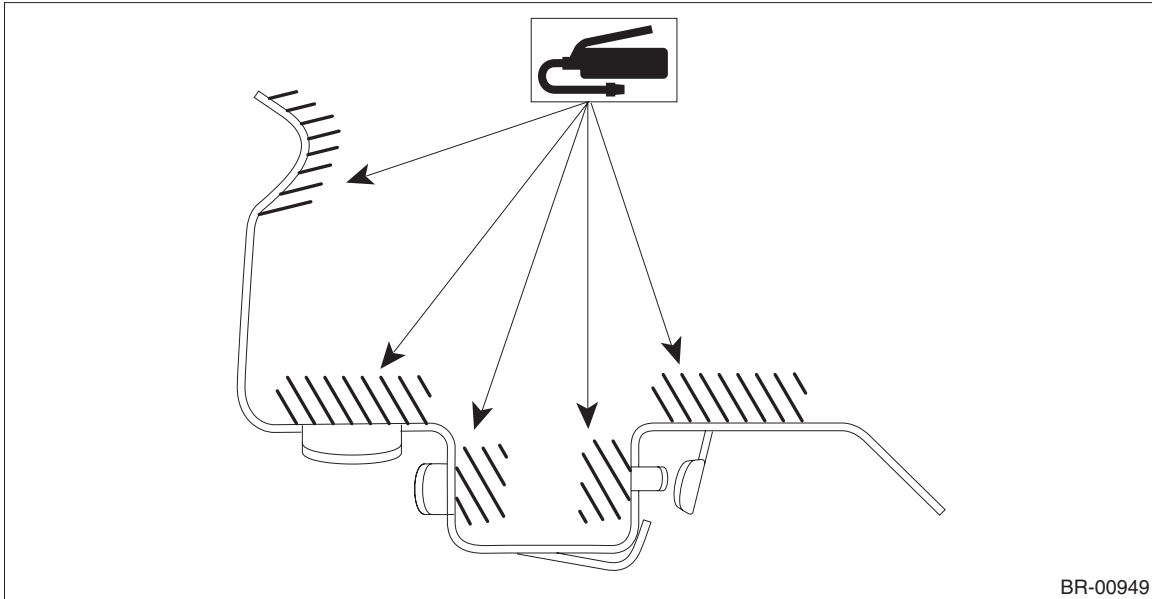
Tightening torque:

Mounting bolt: 66 N·m (6.73 kgf·m, 48.7 ft·lb)

4) Apply a thin coat of grease to the pad clip.

Grease:

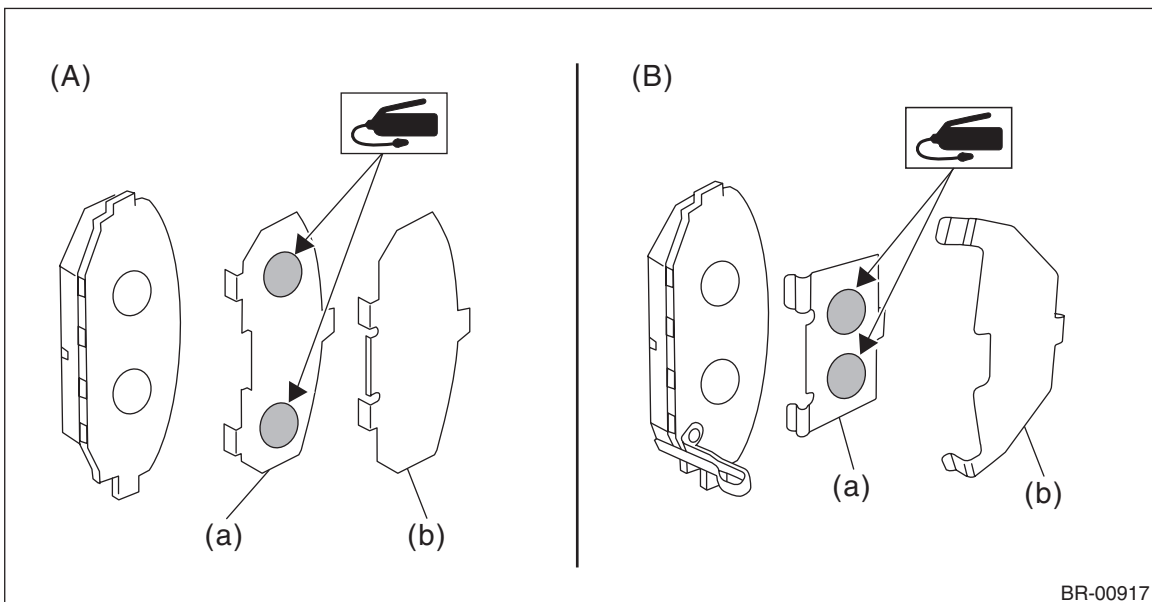
Molykote M7439 (Part No. 003602001) or an item contained in the pad kit



5) Apply a thin coat of grease to the shim - disc brake rear inner (a) and the shim - disc brake rear outer (b).

Grease:

Grease contained in the pad kit or WAKO grease V160



(A) Pad - disc brake rear outer

(B) Pad - disc brake rear inner

6) Install the brake pad to the support - rear disc brake.

7) Install the caliper body assembly to the support - rear disc brake.

Tightening torque:

Caliper bolt: 27 N·m (2.75 kgf-m, 19.9 ft-lb)

8) Install the brake hose bracket.

Tightening torque:

Brake hose bracket: 33 N·m (3.36 kgf-m, 14.3 ft-lb)

9) Connect the brake hose using a new brake hose gasket.

Tightening torque:

Union bolt: 18 N·m (1.84 kgf-m, 13.3 ft-lb)

10) Bleed air from the brake system. <Ref. to BR-60, BRAKE LINE, PROCEDURE, Air Bleeding.>

11) Install the rear wheels.

Tightening torque:

120 N·m (12.24 kgf-m, 88.5 ft-lb)

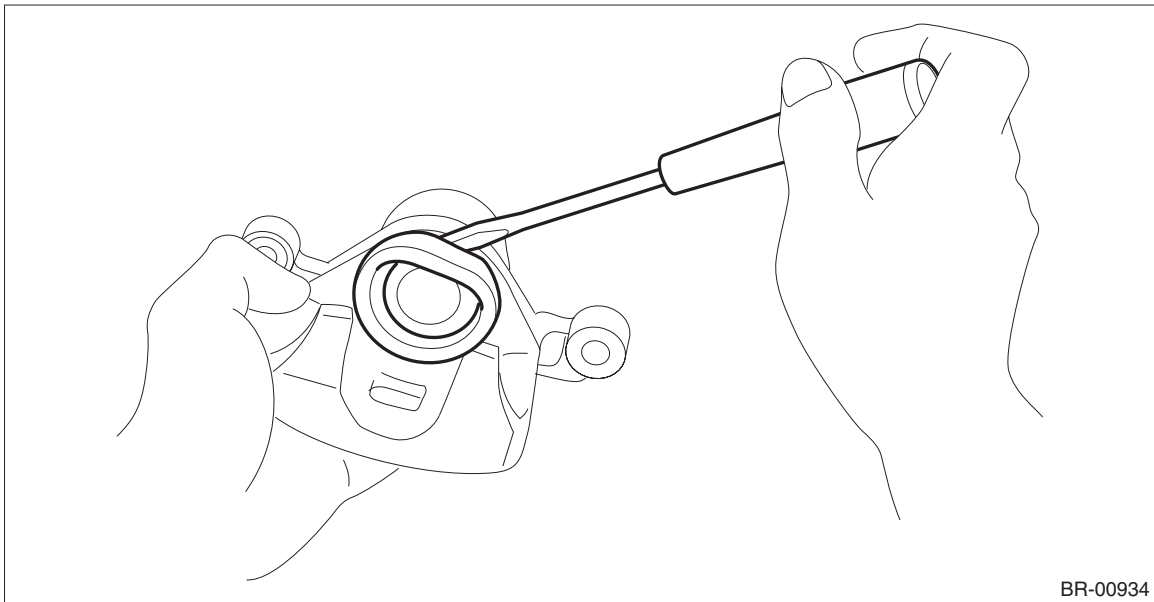
C: DISASSEMBLY

CAUTION:

Be careful not to allow foreign matter to enter the brake hose connector.

1) Remove mud and foreign matter from the caliper body assembly.

2) Remove the piston boot from caliper body cylinder.



BR-00934

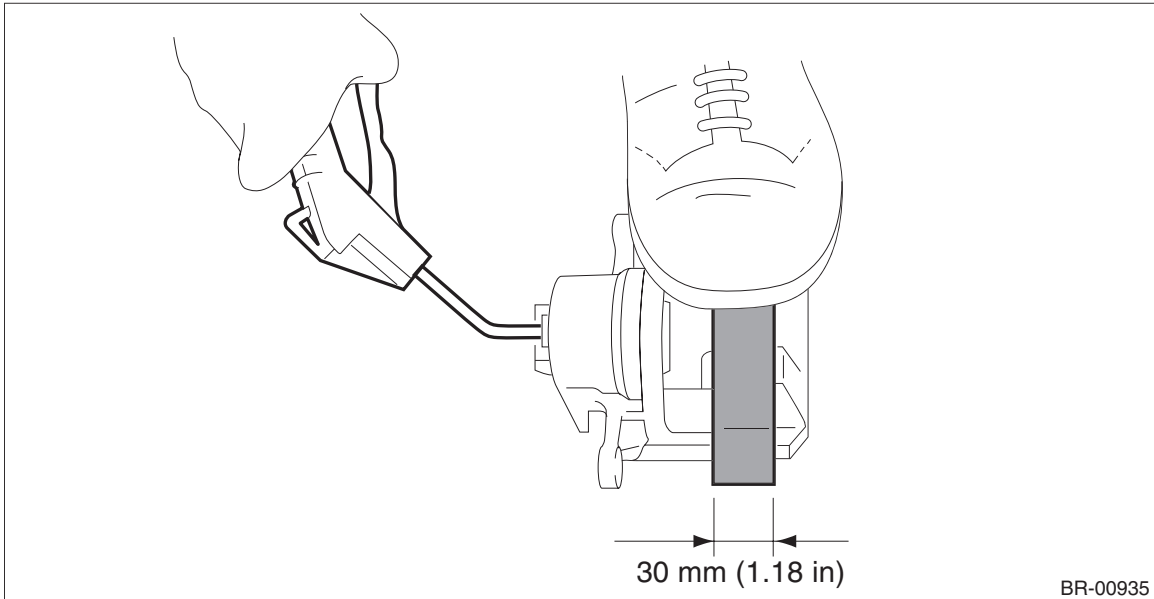
Rear Disc Brake Assembly

BRAKE

3) Remove the piston - disc brake.

(1) Place a wooden block in the caliper body assembly as shown in the figure to prevent the piston - disc brake from jumping out and being damaged.

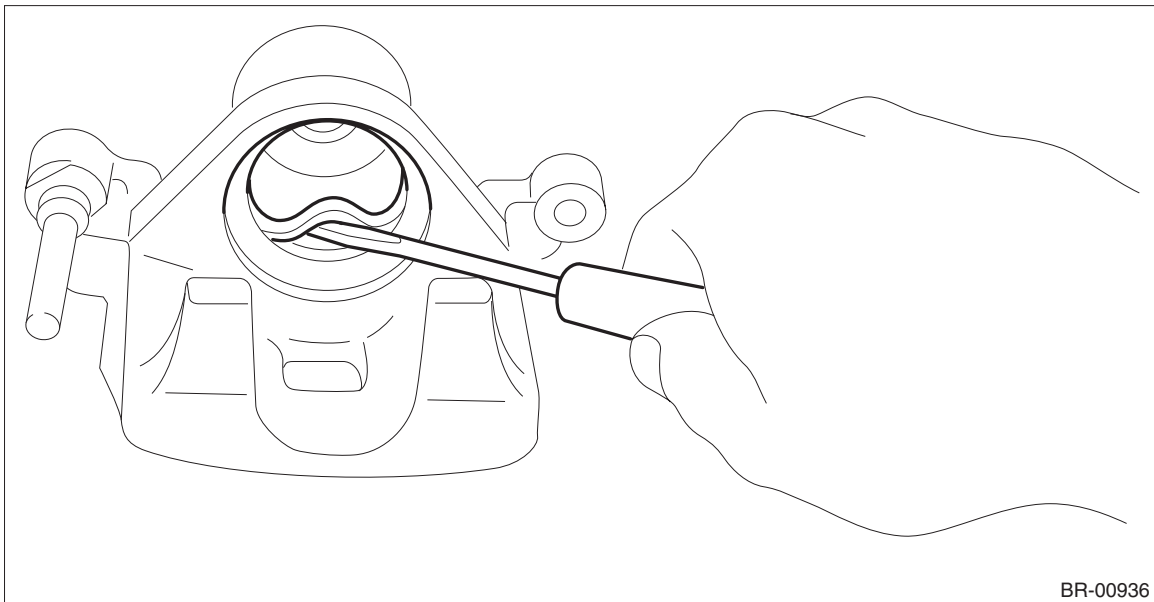
(2) Using an air gun, gradually apply compressed air via the brake hose installation hole to push out the piston - disc brake.



4) Remove the piston seal from caliper body cylinder.

CAUTION:

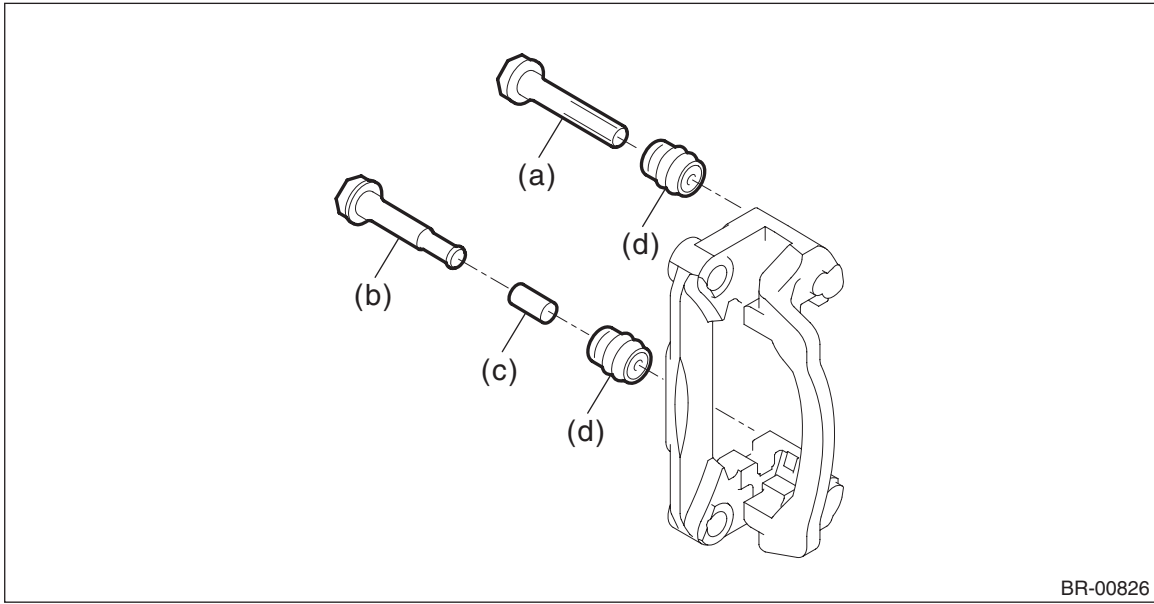
Do not damage the cylinder and piston seal groove.



Rear Disc Brake Assembly

BRAKE

5) Remove the guide pin - front brake, lock pin - rear brake, lock pin - sleeve, and pin boot from the support - rear disc brake.



- (a) Guide pin - front brake (black)
- (b) Lock pin - rear brake (silver)

(c) Lock pin - sleeve

(d) Pin boot

Rear Disc Brake Assembly

BRAKE

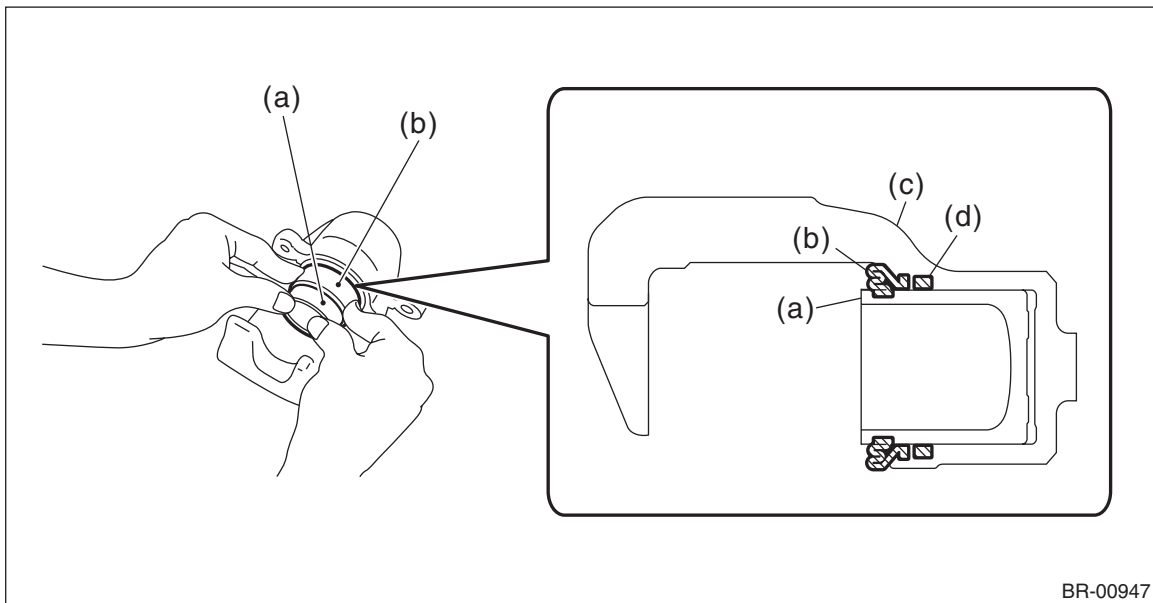
D: ASSEMBLY

- 1) Before installation, check each part. <Ref. to BR-43, INSPECTION, Rear Disc Brake Assembly.>
- 2) Clean the inside of the caliper body cylinder using brake fluid.
- 3) Apply a coat of brake fluid to piston seal and install the piston seal to the caliper body cylinder groove.
- 4) Apply a coat of brake fluid to the inner surface of caliper body cylinder and the entire outer surface of the piston - disc brake.
- 5) Apply grease contained in the piston seal kit to the piston boot, and install it to the groove at the end of the cylinder.
- 6) Insert the piston - disc brake into the caliper body cylinder.

CAUTION:

Do not force the piston - disc brake into the caliper body cylinder.

- 7) Position the piston boot in the grooves on the piston - disc brake and the caliper body cylinder.



(a) Piston - disc brake

(c) Caliper body

(d) Piston seal

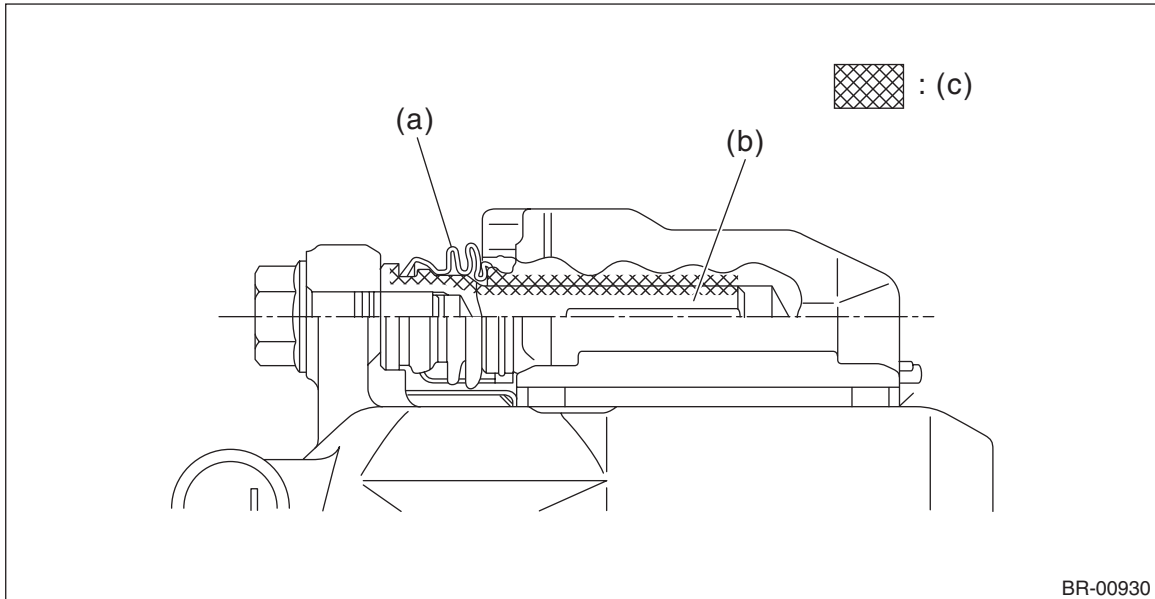
(b) Piston boot

- 8) Apply grease contained in the piston seal kit to the lock pin - rear brake, the outer surface of guide pin - front brake, the inner surface of support cylinder, and the grooves of pin boot.

9) Install the pin boot to the lock pin - rear brake and guide pin - front brake, and insert them into the support cylinder.

CAUTION:

Insert the lock pin - rear brake and guide pin - front brake into specified position, and make sure that they slide and seat properly.



(a) Pin boot

(b) Lock pin - rear brake or guide pin - rear brake

(c) Grease applied area

E: INSPECTION

- 1) Check the caliper body cylinder and piston - disc brake for uneven wear, damage or rust.
- 2) Check the rubber parts for damage or deterioration.
- 3) If faulty is found in the inspection, replace the relevant part.