

## 11. Air Bleeding

### A: PROCEDURE

#### CAUTION:

- Do not let brake fluid come into contact with the painted surface of the vehicle body. Wash away with water immediately and wipe off if it is spilled by accident.
- Avoid mixing brake fluid of different brands to prevent fluid performance from degrading.
- Be careful not to allow dirt or dust to enter the reservoir tank.

#### 1. MASTER CYLINDER

##### NOTE:

- When the master cylinder assembly is replaced or the reservoir tank is empty, bleed the brake master cylinder and the clutch master cylinder (MT model).
- If bleeding of the master cylinder assembly is not necessary, omit the following procedures, and perform bleeding of the brake line. <Ref. to BR-60, BRAKE LINE, PROCEDURE, Air Bleeding.>

1) Add the brake fluid to the reservoir tank of the master cylinder assembly.

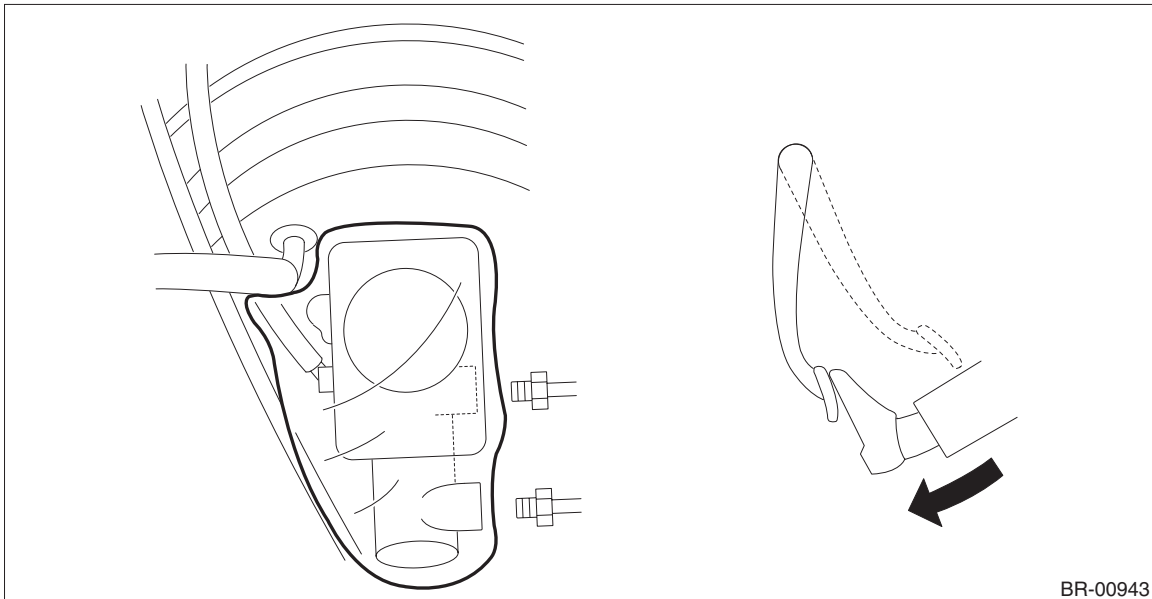
##### NOTE:

- MT model: Add the brake fluid until it flows out from the clutch hose nipple.
- Except for MT model: Add the brake fluid up to the "MAX" level.
- While bleeding air, keep the reservoir tank filled with brake fluid at MIN level or higher to prevent entry of air.

2) Disconnect the brake line at primary and secondary sides.

3) Wrap the master cylinder assembly with a plastic bag.

4) Depress the brake pedal slowly and hold it.

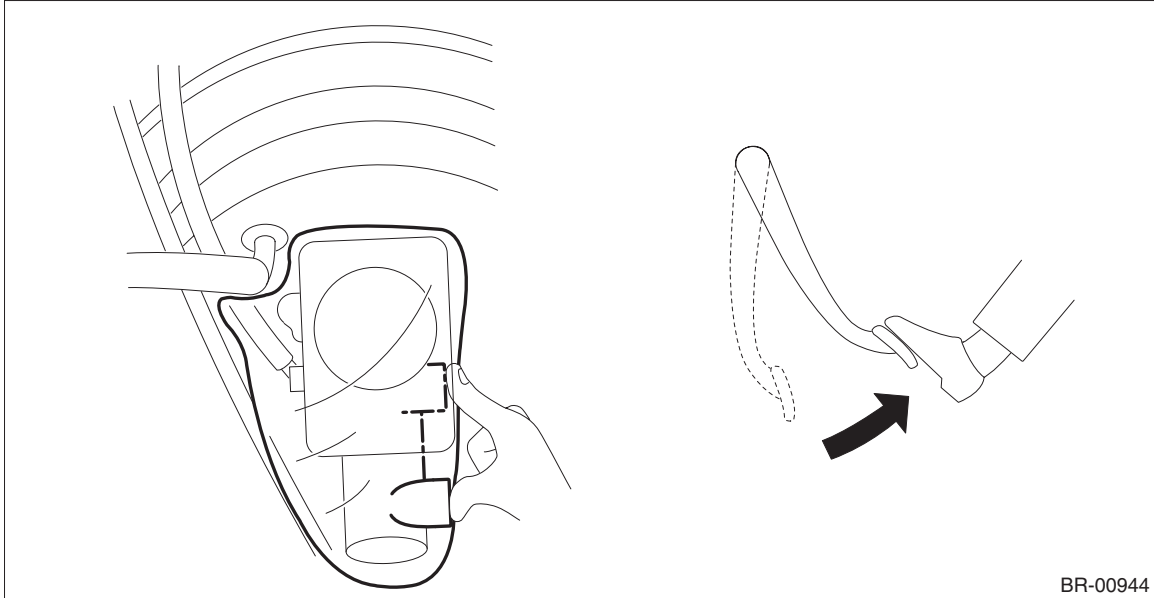


BR-00943

# Air Bleeding

## BRAKE

- 5) Plug the outlet plug with your finger, and then release the brake pedal.



- 6) Repeat the step 4) and 5) several times.
- 7) Remove the plastic bag.
- 8) Install the brake pipe to the master cylinder assembly.

### **Tightening torque:**

**Brake pipe flare nut: 19 N·m (1.94 kgf·m, 14.0 ft·lb)**

- 9) Bleed air from the brake line. <Ref. to BR-60, BRAKE LINE, PROCEDURE, Air Bleeding.>

## 2. BRAKE LINE

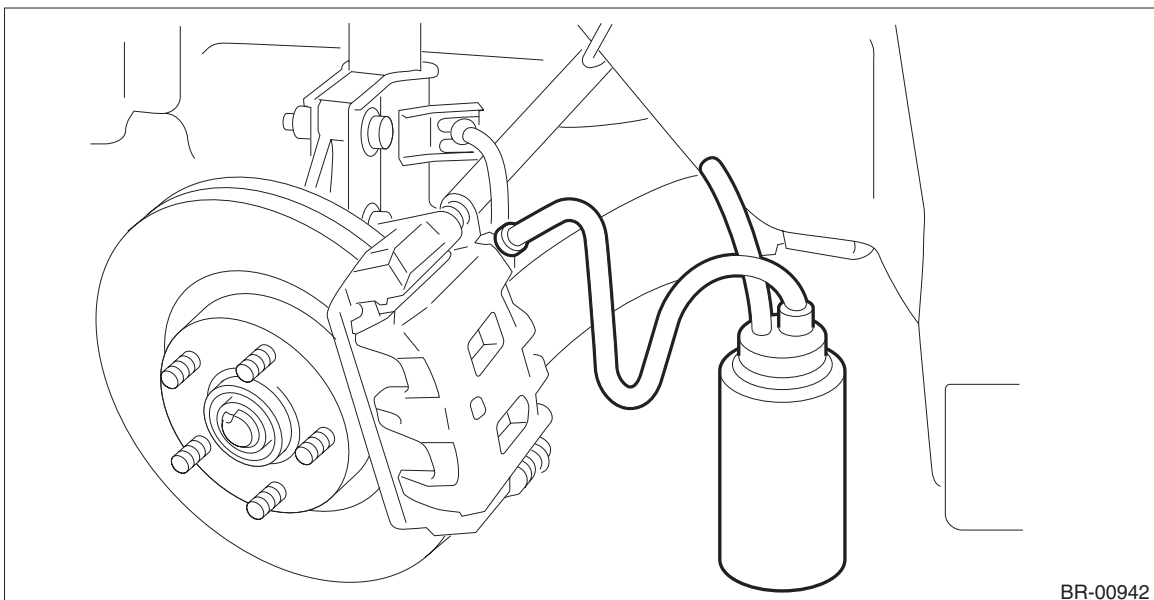
- 1) When the master cylinder assembly is replaced or the reservoir tank is empty, bleed the master cylinder assembly before bleeding the brake line. <Ref. to BR-59, MASTER CYLINDER, PROCEDURE, Air Bleeding.>

- 2) Fill the reservoir tank of the master cylinder assembly with brake fluid.

### NOTE:

While bleeding air, keep the reservoir tank filled with brake fluid to prevent entry of air.

- 3) Attach one end of the vinyl tube to the bleeder - screw and the other end to the brake fluid container.



- 4) Depress the brake pedal several times, and hold it.

- 5) Loosen the bleeder - screw to drain brake fluid. Tighten the bleeder - screw quickly, and release the brake pedal.
- 6) Repeat the steps 4) to 5) until there are no more air bubbles in the vinyl tube.
- 7) Repeat the steps from 2) to 6) above to bleed air from each wheel.

**NOTE:**

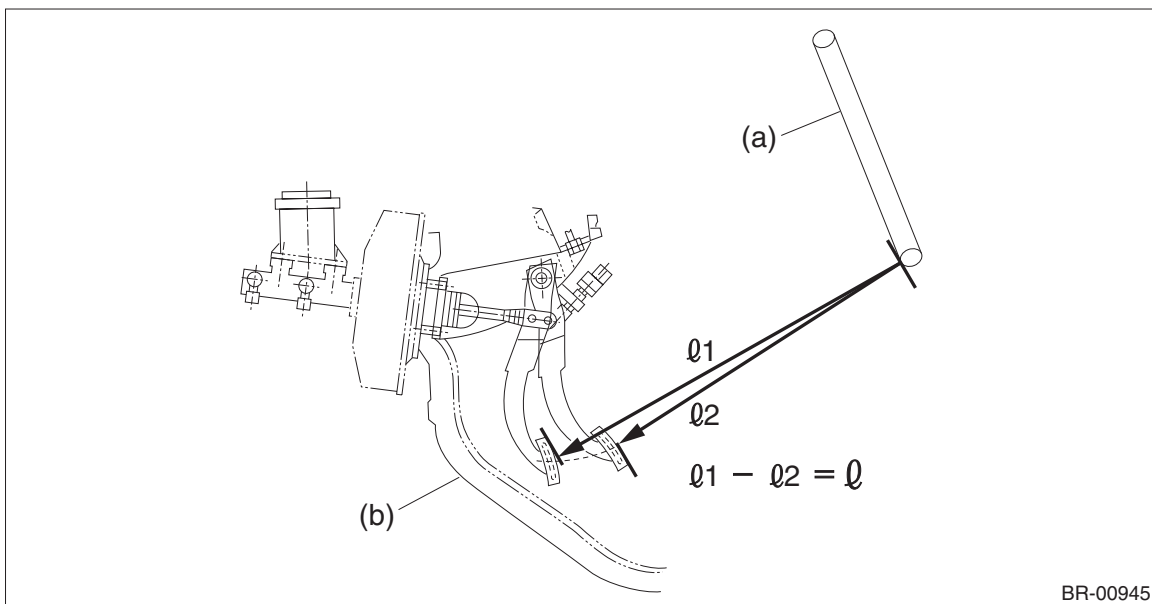
Perform air bleed starting in the order from the farthest wheel cylinder from the master cylinder assembly.

- 8) Securely tighten the bleeder - screw.

**Tightening torque:**

**Bleeder - screw: 8 N·m (0.82 kgf-m, 5.9 ft-lb)**

- 9) Check that there are no brake fluid leaks in the entire brake system.
- 10) Check the pedal stroke.
  - (1) Warm up the engine until the engine speed stabilizes.
  - (2) Depress and hold the brake pedal with a force of 500 N (51 kgf, 112 lbf).
  - (3) Adjust the tilt position of the steering wheel to the lowest position.
  - (4) Measure the distance between brake pedal and steering wheel.
  - (5) Release the pedal, and measure the distance between pedal and steering wheel again.



(a) Steering wheel

(b) Toe board

**Specification of pedal stroke:**

**110 mm (4.33 in) or less when depressing the pedal with a force of 500 N (51 kgf, 112 lbf)**

- 11) If the distance is more than specification, there is a possibility of air being caught in the brake line. Bleed the brake line of all air until the pedal stroke meets the specification.
- 12) Operate the hydraulic control unit in the sequence control mode. <Ref. to VDC-20, ABS Sequence Control.>
- 13) Check the pedal stroke again.
- 14) If the distance is more than specification, there is a possibility of air being caught in the hydraulic unit. Repeat above steps 2) to 9) until the pedal stroke meets the specification.
- 15) Fill the reservoir tank with brake fluid up to the "MAX" level.
- 16) Perform a road test and ensure that the brakes operate normally.