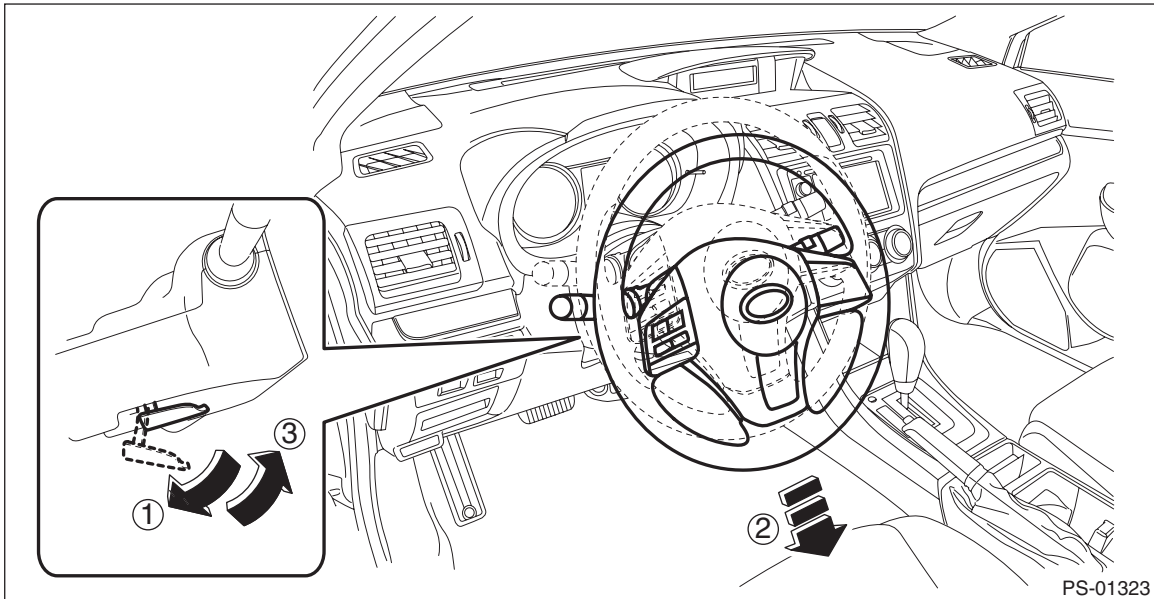


4. Universal Joint

A: REMOVAL

1) Adjust the tilt position of the column assembly - steering to the lowest position and lock the tilt lever.



2) Remove the universal joint assembly - steering.

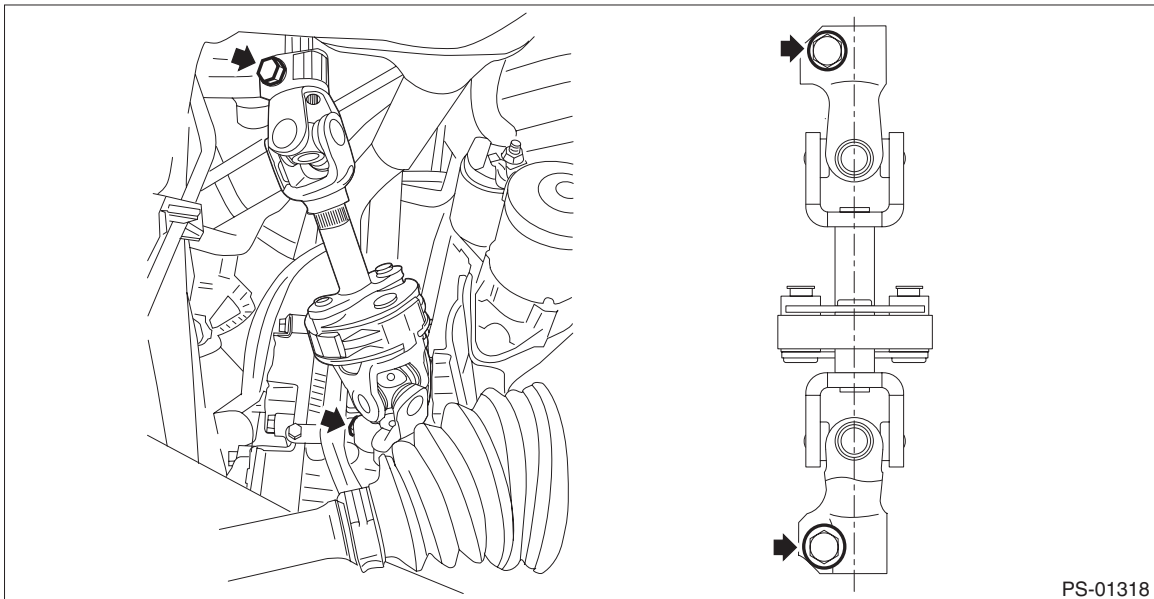
(1) Place alignment marks on the universal joint assembly - steering.

NOTE:

Place alignment marks on the following positions.

- Between the column assembly - steering and the universal joint assembly - steering
- Between the steering gearbox assembly and the universal joint assembly - steering

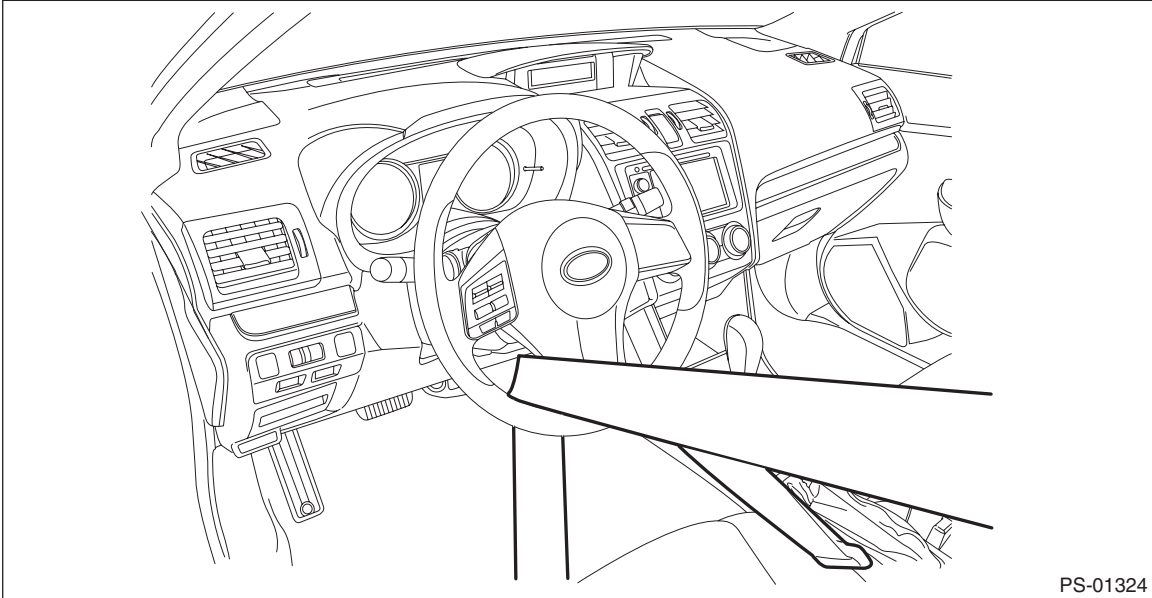
(2) Remove the bolt, and remove the universal joint assembly - steering.



Universal Joint

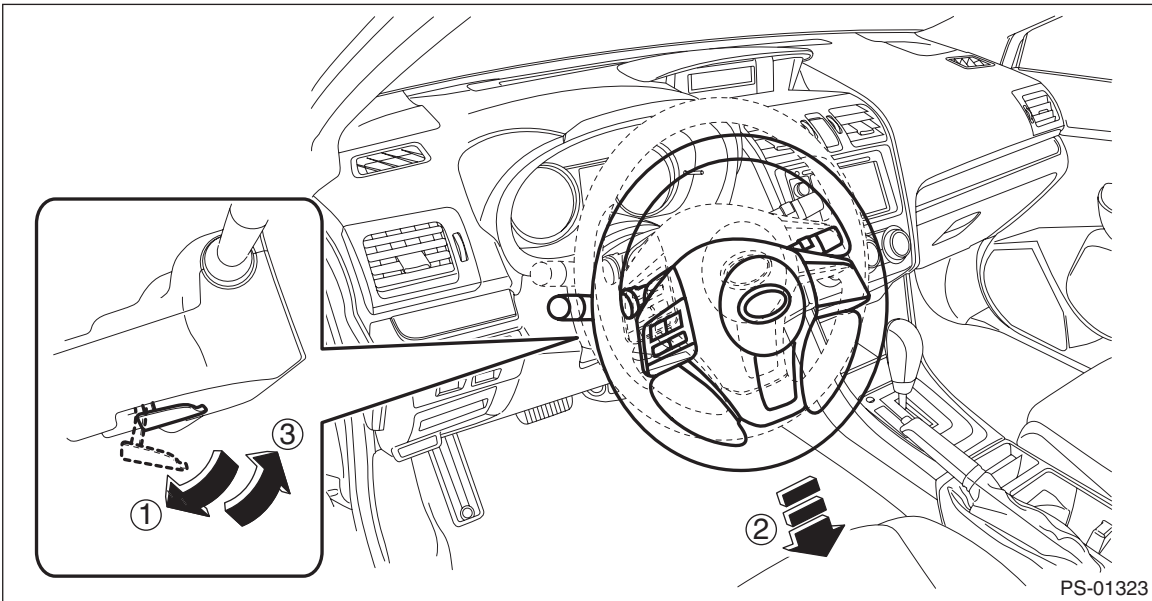
POWER ASSISTED SYSTEM (POWER STEERING)

3) Prevent the steering wheel from turning using the seat belt.



B: INSTALLATION

- 1) Before installation, check the universal joint assembly - steering. <Ref. to PS-16, INSPECTION, Universal Joint.>
- 2) Adjust the tilt position of the column assembly - steering to the neutral position and lock the tilt lever.



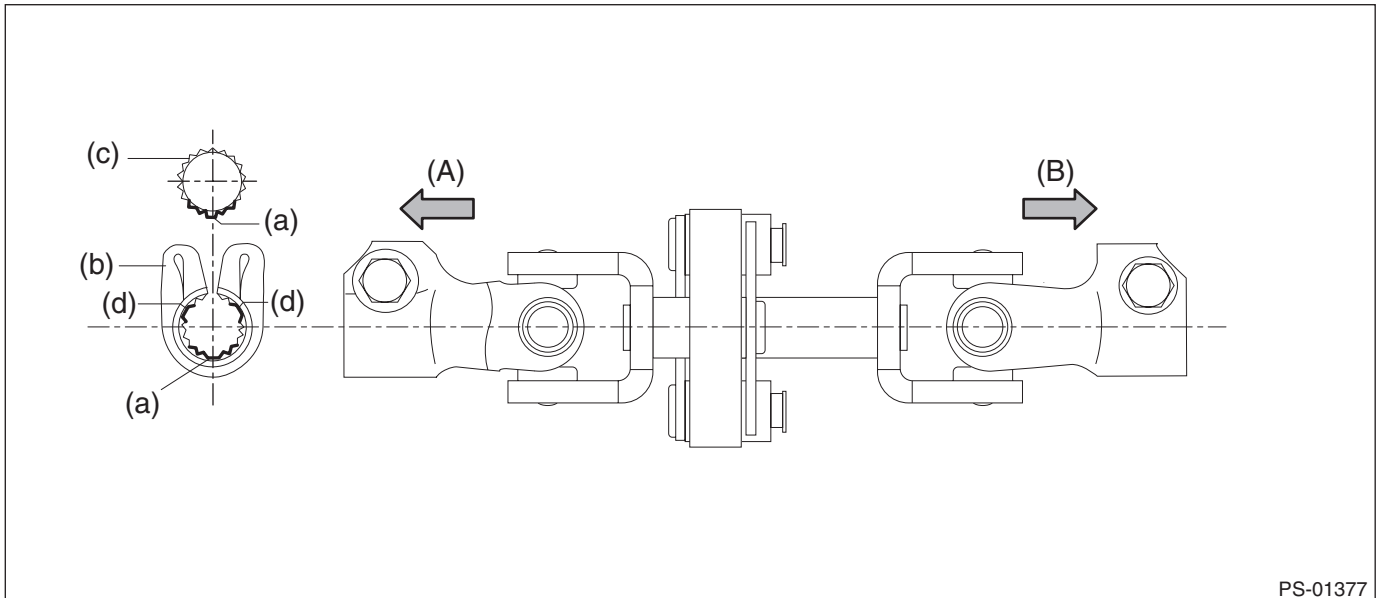
Universal Joint

POWER ASSISTED SYSTEM (POWER STEERING)

3) Align the cutout portion (a) at serrated section of the column shaft (c) and yoke (b), then install the universal joint assembly - steering into column shaft.

CAUTION:

Be sure to align the protruded portion (a) of the column shaft with the cutout portion (a) at serrated section. If another cutout portions (d) are used for alignment, the bolt of the universal joint assembly - steering cannot be assembled.



PS-01377

(A) Column shaft side

(B) Gearbox side

4) Install the universal joint assembly - steering to the serrations of the gearbox assembly by matching the alignment marks.

5) Tighten the bolts on the gearbox side first, and then the column shaft side.

CAUTION:

Be sure to follow the tightening order and tightening torque of the universal joint assembly - steering to avoid the steering effort from becoming heavy.

Tightening torque:

24 N·m (2.45 kgf·m, 17.7 ft-lb)

Clearance:

Universal joint assembly - steering coupling to adjacent parts: 15 mm (0.59 in) or more

Universal Joint

POWER ASSISTED SYSTEM (POWER STEERING)

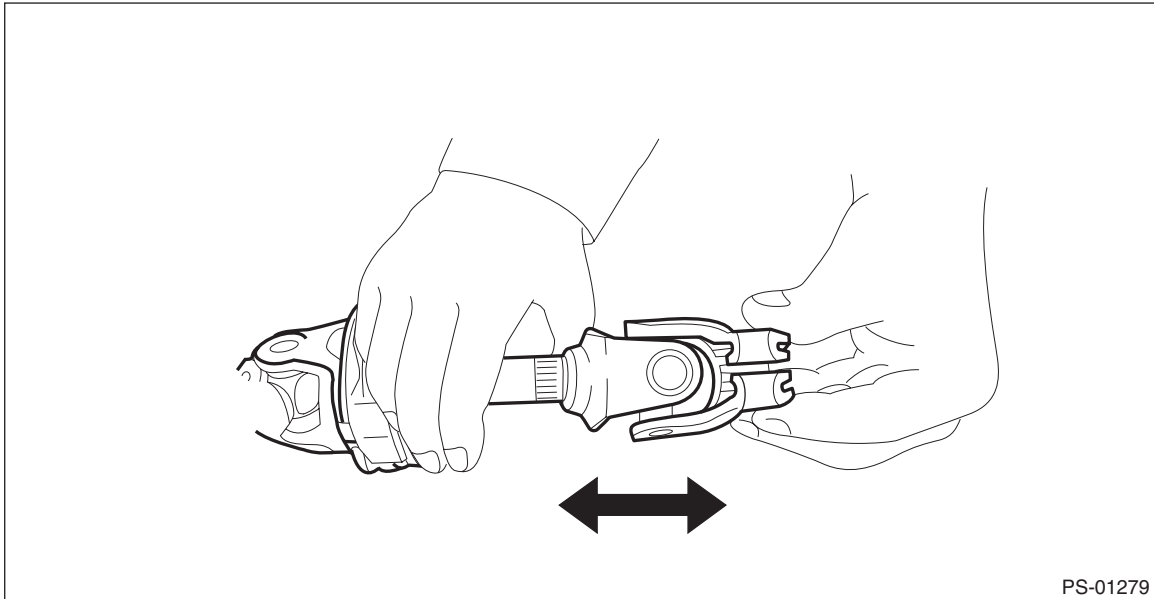
C: INSPECTION

Check for wear, damage or any other faults.

1) Check the universal joint assembly - steering for excessive looseness.

Service limit:

Play of the universal joint assembly - steering: 0 mm (0 in)

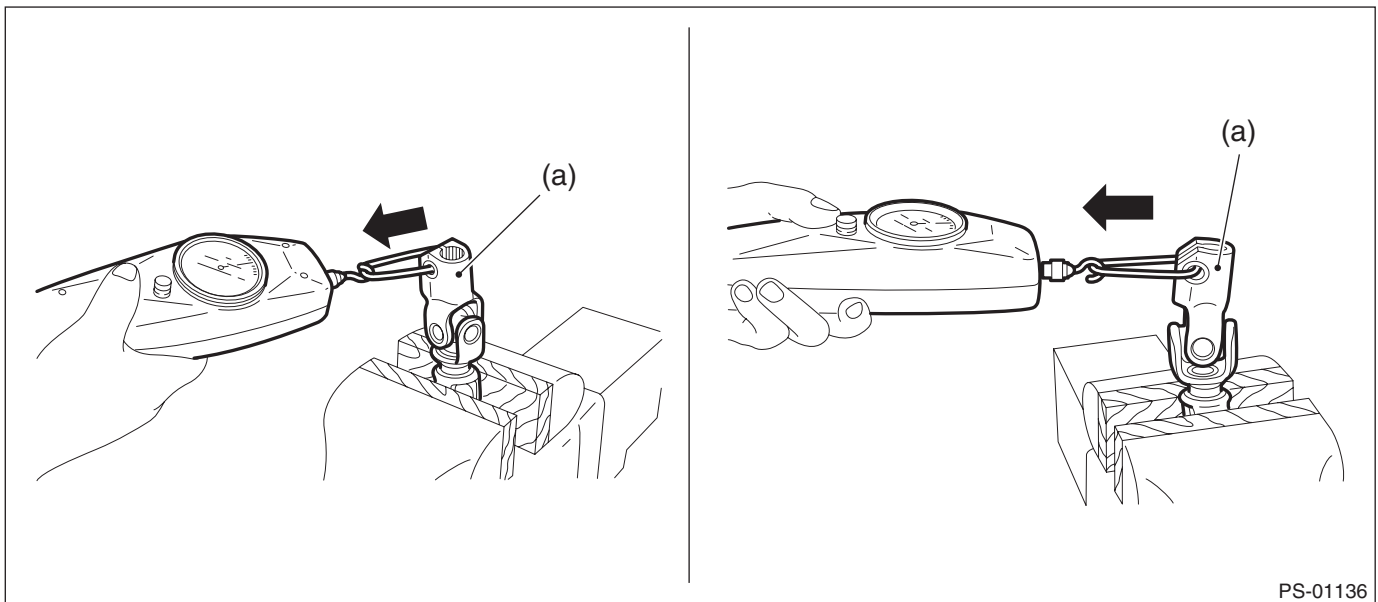


PS-01279

2) Measure the swing torque of the universal joint assembly - steering.

(1) Place the universal joint assembly - steering between wooden blocks and fix it on a vise.

(2) With the yoke (a) of gearbox side facing up, measure the swing torque in two directions.



PS-01136

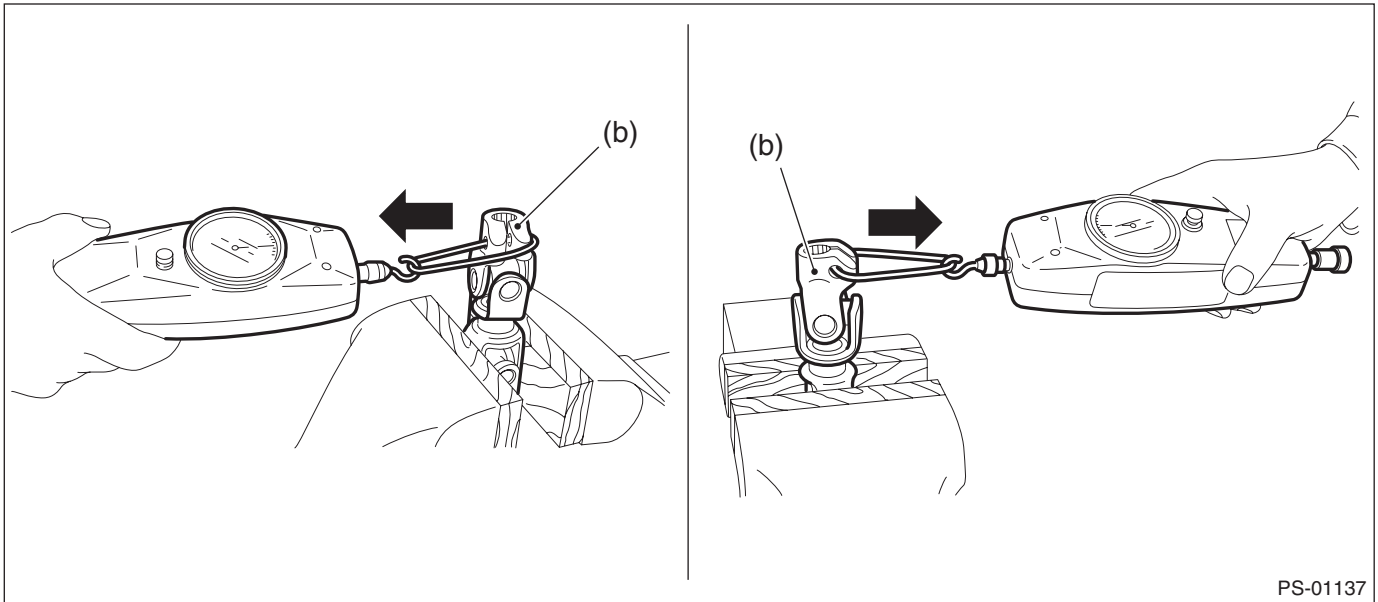
Service limit:

Maximum load: 3.8 N (0.39 kgf, 0.86 lbf) or less

Universal Joint

POWER ASSISTED SYSTEM (POWER STEERING)

(3) With the yoke (b) of column assembly - steering side facing up, measure the swing torque in two directions.



PS-01137

Service limit:

Maximum load: 7.3 N (0.74 kgf, 1.64 lbf) or less

(4) Replace as necessary, if it is found defective.