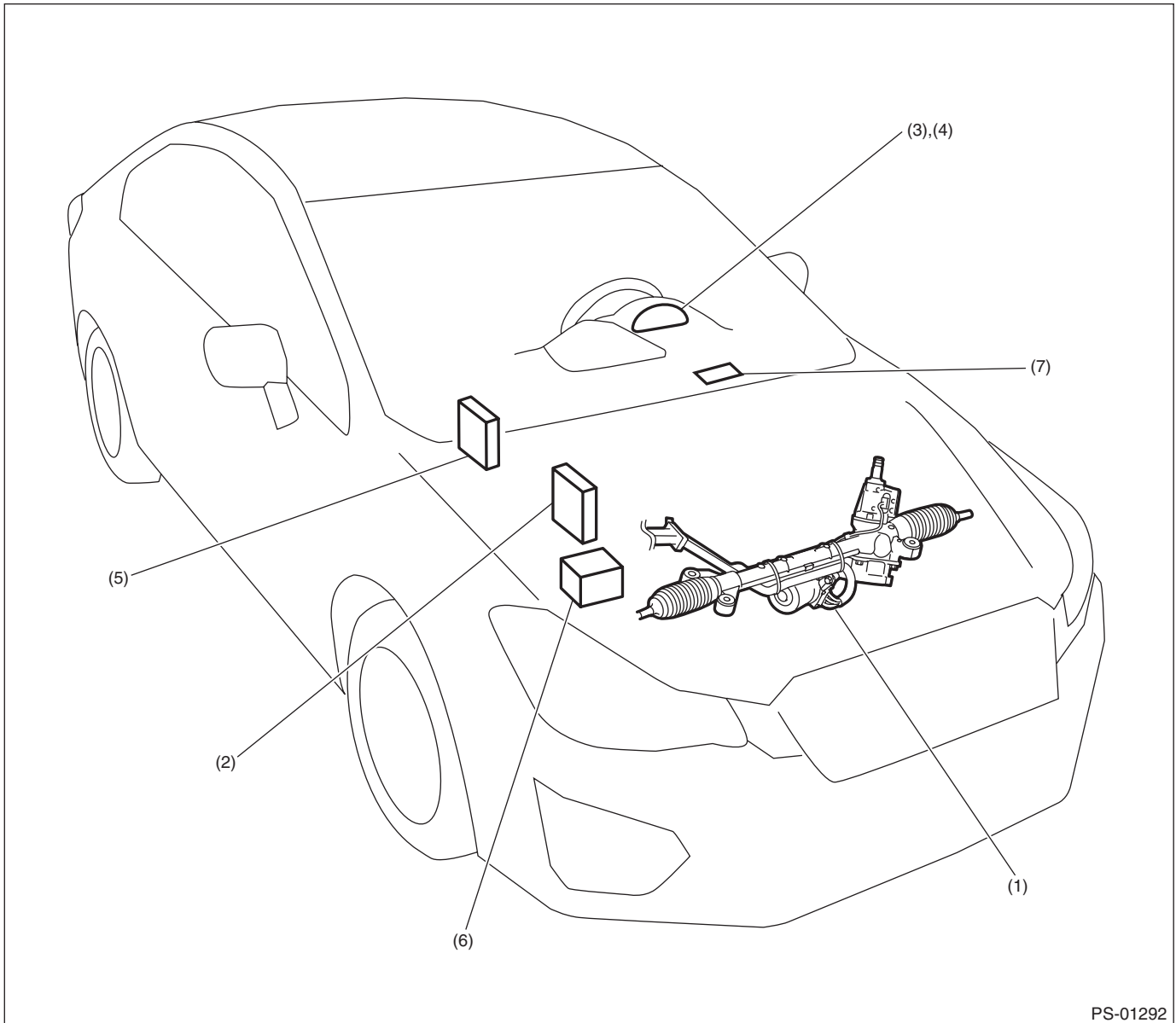


Electrical Component Location

POWER ASSISTED SYSTEM (POWER STEERING) (DIAGNOSTICS)

4. Electrical Component Location

A: LOCATION



(1) Steering gearbox

(4) STEERING warning light (C0 model)

(7) Data link connector (For Subaru Select Monitor)

(2) Power steering control module

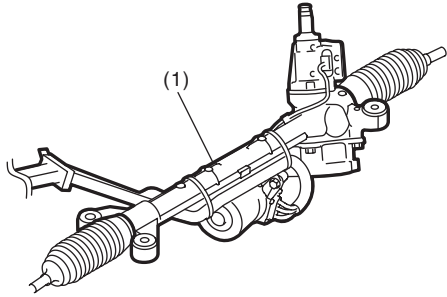
(5) Engine control module (ECM)

(3) STEERING warning light (U5, U6 model)

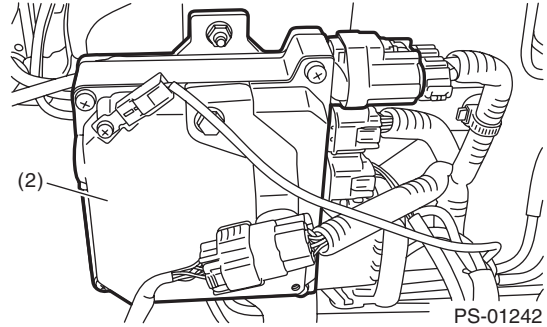
(6) VDCCM&H/U

Electrical Component Location

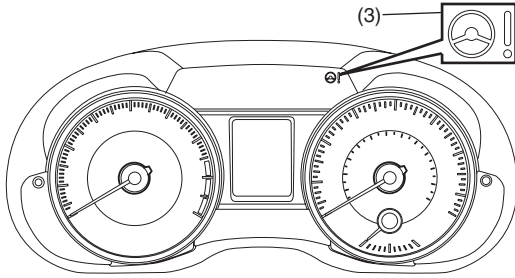
POWER ASSISTED SYSTEM (POWER STEERING) (DIAGNOSTICS)



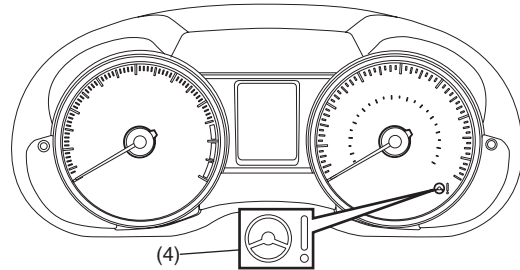
PS-01290



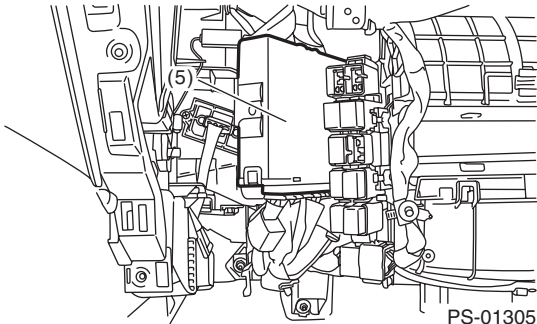
PS-01242



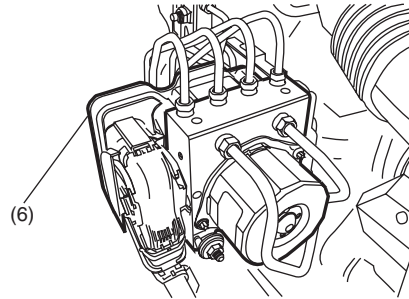
PS-01296



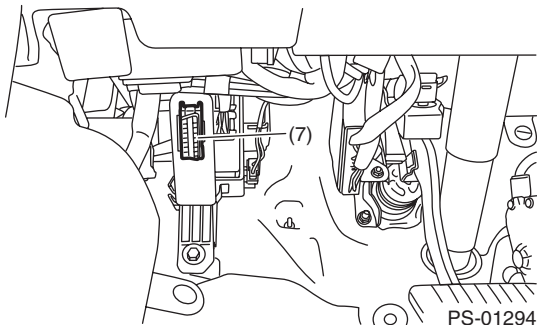
PS-01297



PS-01305



PS-01293



PS-01294

SUBARU.