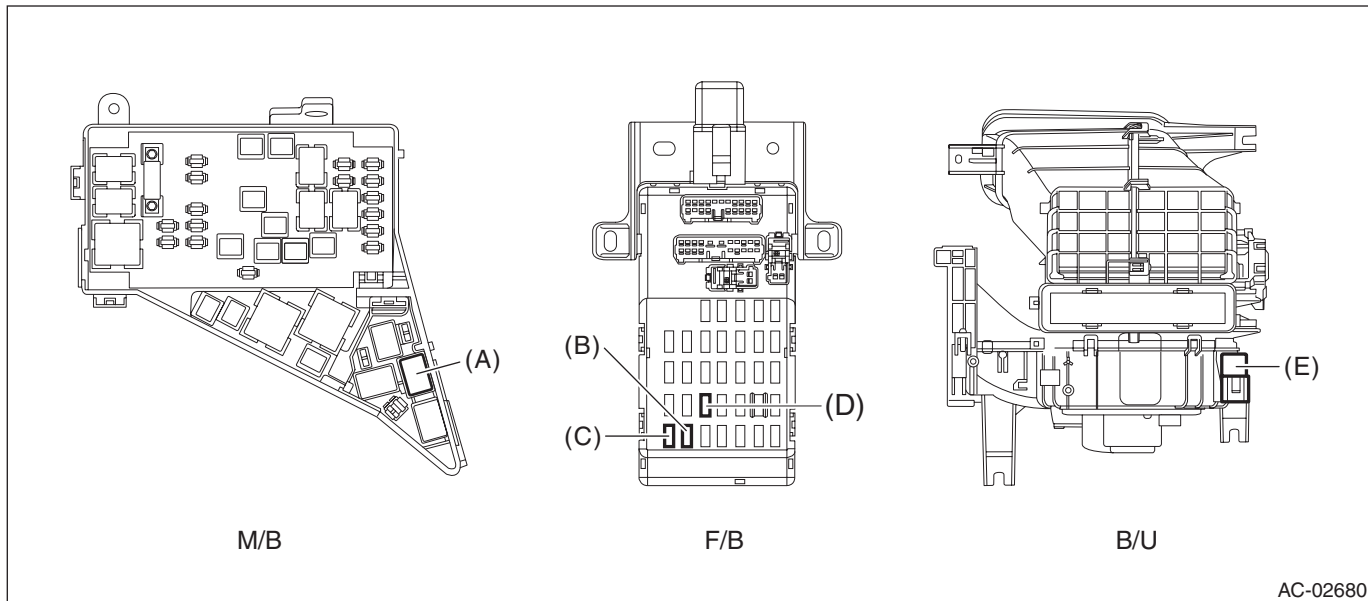


# Relay and Fuse

HVAC SYSTEM (HEATER, VENTILATOR AND A/C)

## 7. Relay and Fuse

### A: LOCATION



Main fuse box	A/C relay	(A)
Relay & fuse box	Fuse 15 A (blower motor relay)	(B)
	Fuse 15 A (blower motor relay)	(C)
	Fuse 10 A (A/C control panel)	(D)
Blower motor unit	Blower motor relay	(E)

**NOTE:**

For other related fuses, refer to the wiring diagram. <Ref. to WI-15, Power Supply Circuit.>

# Relay and Fuse

HVAC SYSTEM (HEATER, VENTILATOR AND A/C)

## B: INSPECTION

### 1. CHECK FUSE

- 1) Remove the fuse and inspect visually.
- 2) If the fuse is blown out, replace the fuse.

NOTE:

If the fuse is blown again, check the system wiring harness.

### 2. CHECK RELAY

- 1) Check the resistance between relay terminals.

- A/C relay

Terminal No.	Inspection conditions	Standard	Circuit
1 — 2	Always	1 MΩ or more	
1 — 2	Apply battery voltage between terminals 4 and 3.	Less than 1 Ω	

LI-01273

- Blower motor relay

Terminal No.	Inspection conditions	Standard	Circuit
1 — 4	Always	1 MΩ or more	
1 — 4	Apply battery voltage between terminals 2 and 3.	Less than 1 Ω	

AC-02796

- 2) Replace the relay if the inspection result is not within the standard.