

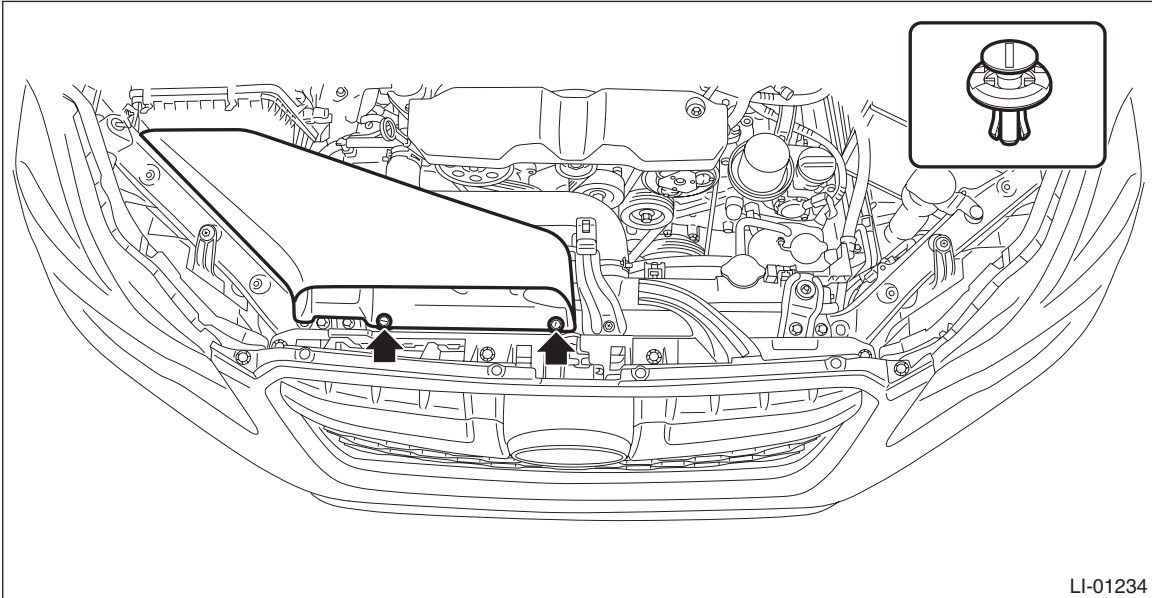
Condenser

HVAC SYSTEM (HEATER, VENTILATOR AND A/C)

16. Condenser

A: REMOVAL

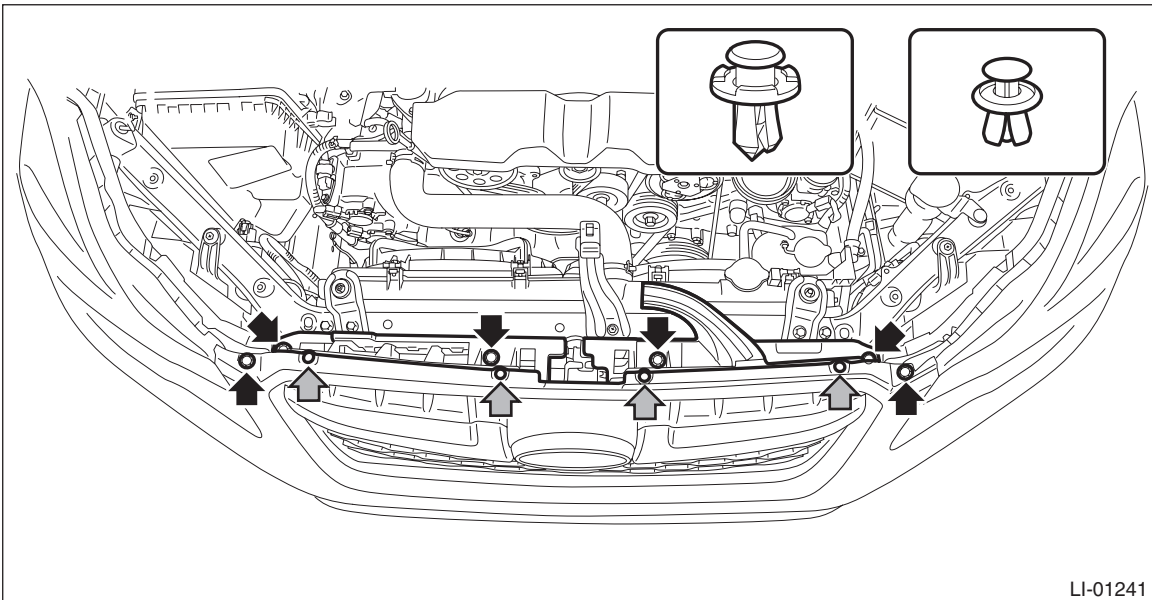
- 1) Using the refrigerant recovery system, discharge refrigerant. <Ref. to AC-26, PROCEDURE, Refrigerant Recovery Procedure.>
- 2) Remove the clips and remove the air intake duct.



- 3) Remove the clip, and remove the bracket - grille.

NOTE:

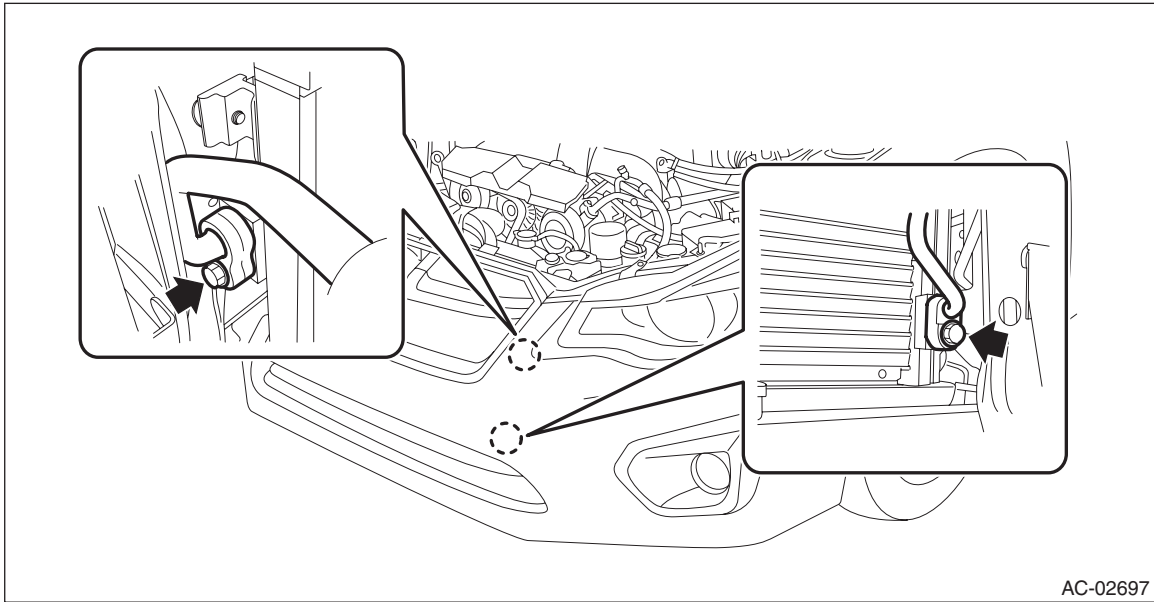
To prevent damage to the bracket - grille, make sure to remove all clips.



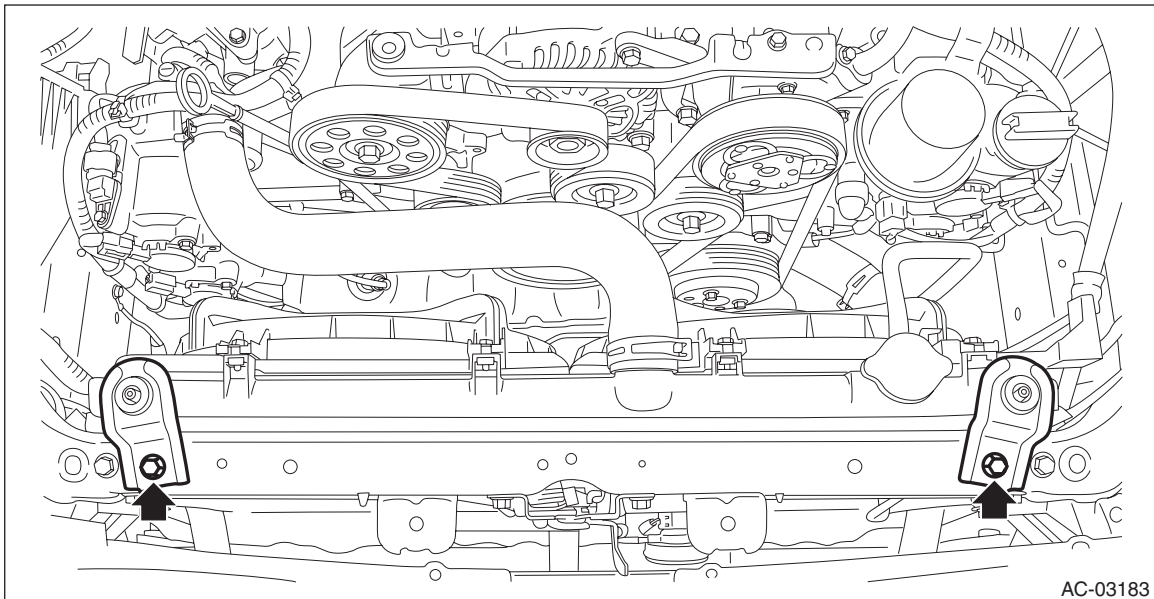
Condenser

HVAC SYSTEM (HEATER, VENTILATOR AND A/C)

4) Remove the bolt, and disconnect the hose - pressure discharge and the pipe - evaporator cooling from the condenser assembly - air conditioner.



5) Remove the bolts and remove the radiator upper bracket.

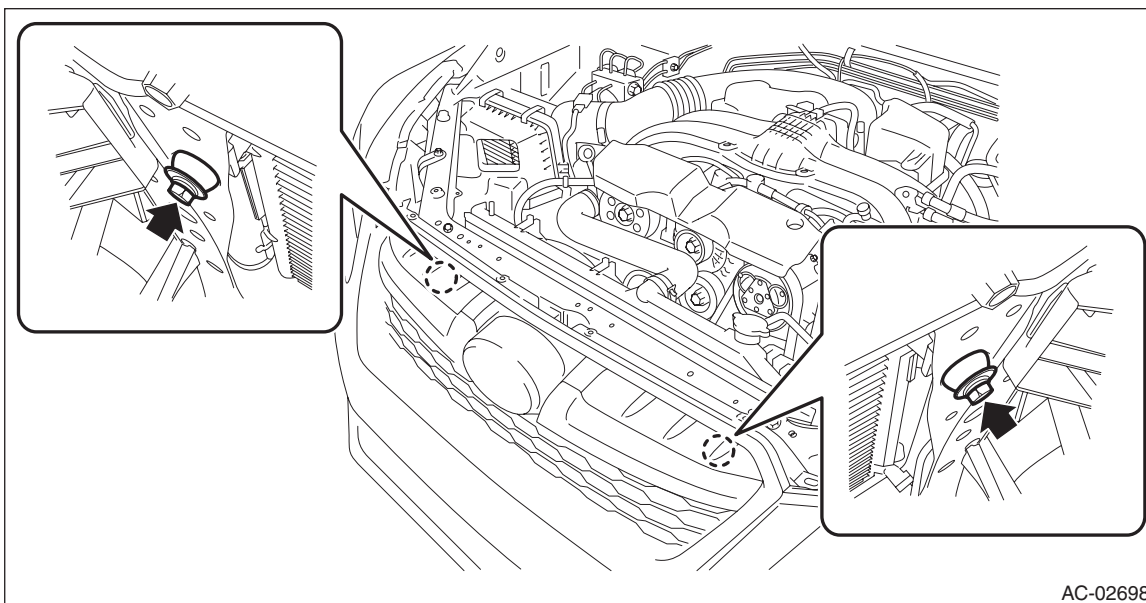


Condenser

HVAC SYSTEM (HEATER, VENTILATOR AND A/C)

6) Remove the condenser assembly - air conditioner.

(1) Remove the bolt.

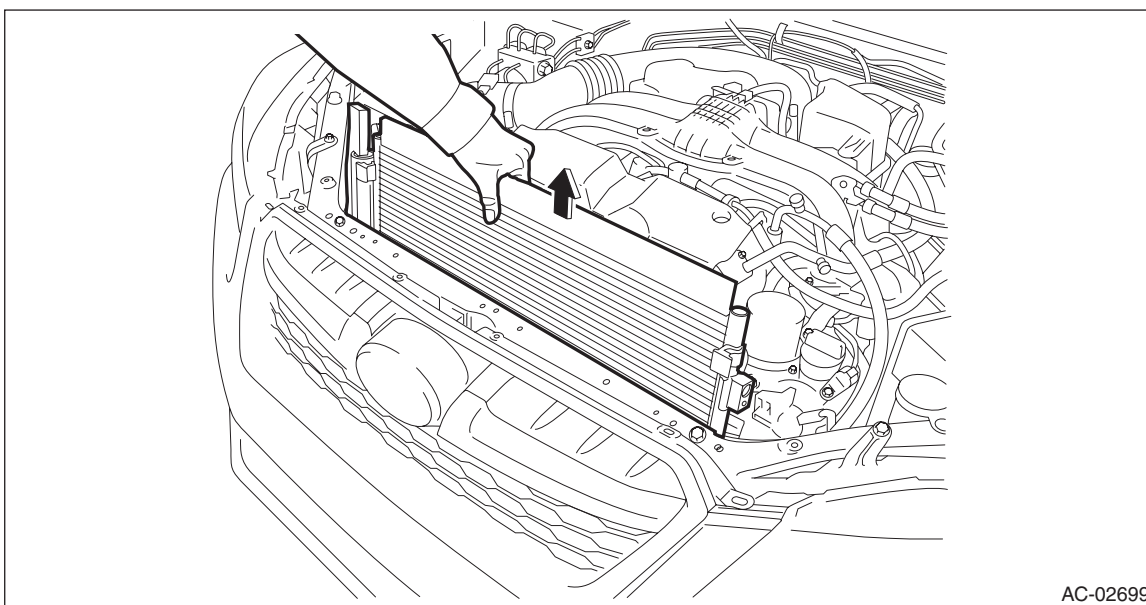


AC-02698

(2) By lifting the condenser assembly - air conditioner, pull it out through the space between the radiator and the radiator panel.

CAUTION:

Be careful not to damage the condenser and radiator fin. If a damaged fin is found, repair it using a thin screwdriver.



AC-02699

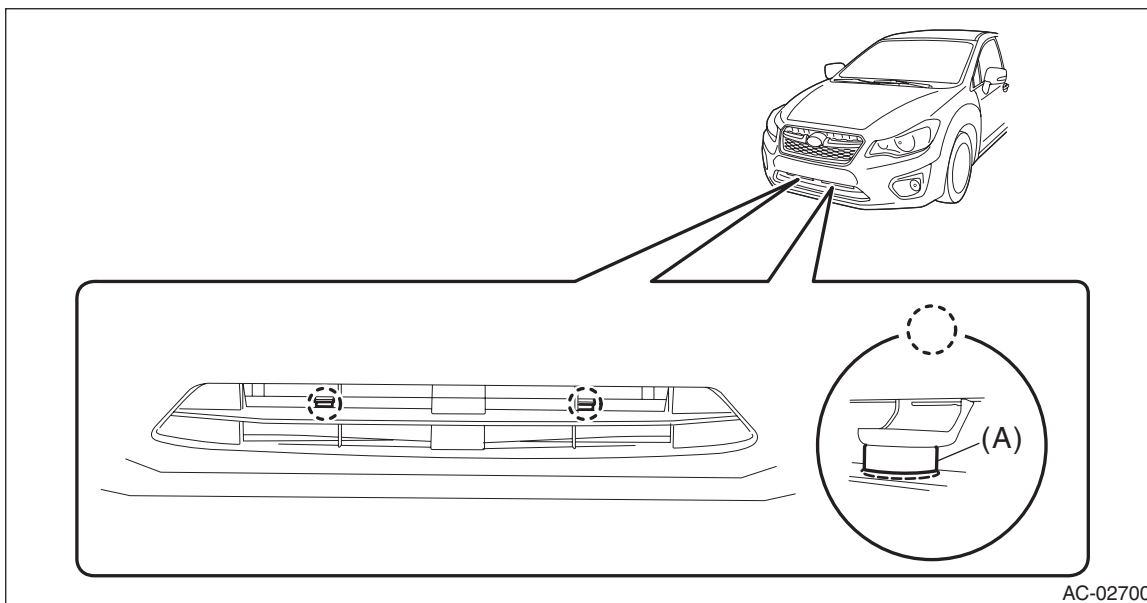
Condenser

HVAC SYSTEM (HEATER, VENTILATOR AND A/C)

B: INSTALLATION

CAUTION:

- If the condenser assembly - air conditioner has been replaced, add an appropriate amount of compressor oil. <Ref. to AC-34, ADJUSTMENT, Compressor Oil.>
- Replace the O-rings with new parts, and then apply compressor oil.
- Confirm that lower guide (A) of condenser assembly - air conditioner fits into holes on radiator panel.



- 1) Install each part in the reverse order of removal.

Tightening torque:

Air conditioning unit: <Ref. to AC-12, AIR CONDITIONING UNIT, COMPONENT, General Description.>

Radiator upper bracket: <Ref. to CO(H4DO)-4, RADIATOR & RADIATOR FAN, COMPONENT, General Description.>

- 2) Charge refrigerant. <Ref. to AC-27, PROCEDURE, Refrigerant Charging Procedure.>

C: INSPECTION

- 1) Check to see that the condenser fins are not clogged with debris or insects. Blow with compressed air or flush fins with water as needed.
- 2) If any oil leak is found, replace the condenser assembly - air conditioner.