

Sunload Sensor (Auto A/C Model)

HVAC SYSTEM (HEATER, VENTILATOR AND A/C)

23.Sunload Sensor (Auto A/C Model)

A: REMOVAL

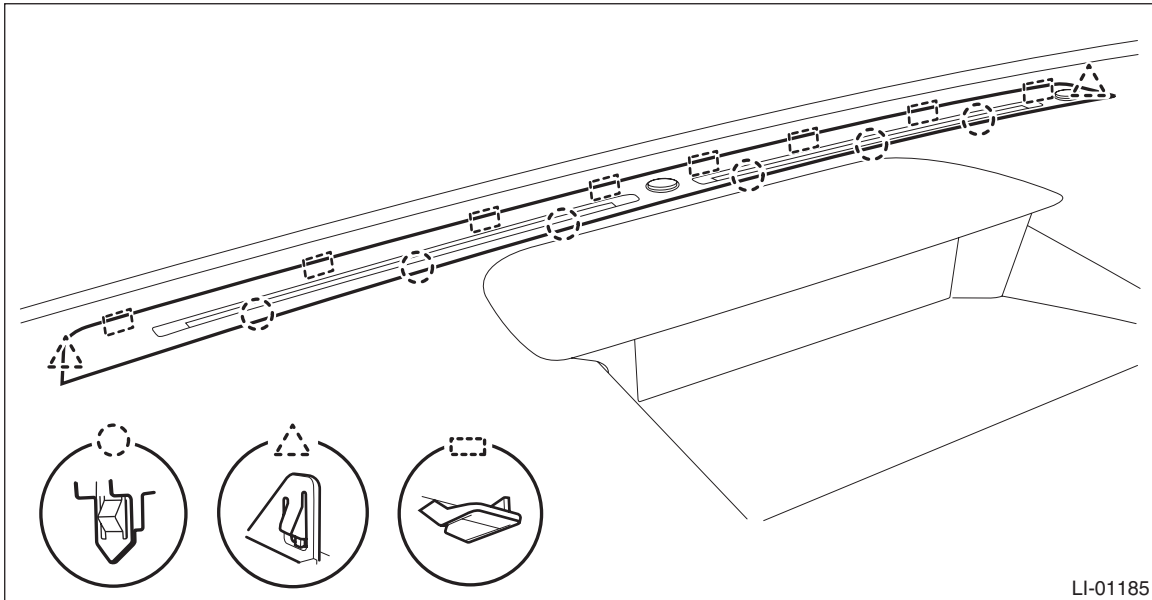
CAUTION:

Be careful not to damage the sensors and interior trims when removing.

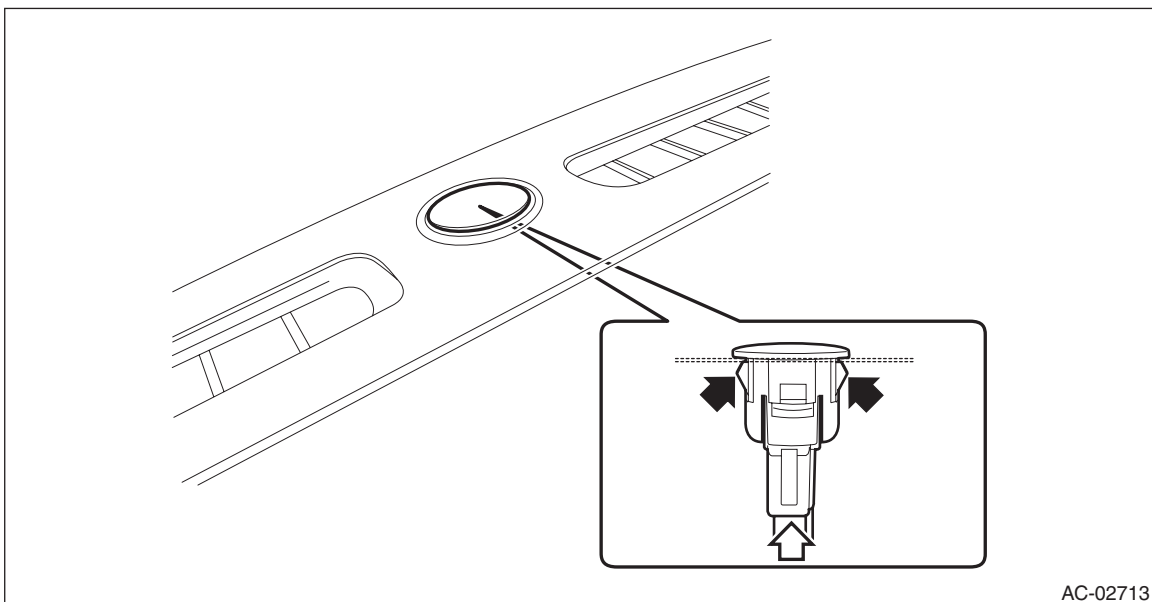
1) Disconnect the ground cable from battery.

2) Remove the sensor - sunload.

(1) Release the connector and claws, and remove the panel COMPL - instrument UPR.



(2) Press the left and right claws to remove the sensor - sunload from the panel COMPL - instrument UPR.



B: INSTALLATION

Install each part in the reverse order of removal.

Sunload Sensor (Auto A/C Model)

HVAC SYSTEM (HEATER, VENTILATOR AND A/C)

C: INSPECTION

On- the vehicle inspection

PREPARATION TOOL:

SUBARU SELECT MONITOR III KIT

- 1) Check if there is anything that affects sensing, around the sensor - sunload.
 - (1) Is there anything placed on the sensor - sunload that disturbs sensing?
 - (2) Is there anything on the windshield glass, such as sticker and film, that disturbs sensing?
 - **No** → Go to step 2).
 - **Yes** → Remove everything that affects sensing.
- 2) Using the Subaru Select Monitor, check «Quantity of Sunload».

NOTE:

For detailed procedures, refer to “PC application help for Subaru Select Monitor”.

- (1) Cover the sensor - sunload with cloth.
- (2) Does the «Quantity of Sunload» indicate 0 W/m² when the direct sunlight is shielded?
 - **Yes** → Go to step 3).
 - **No** → Replace the sensor - sunload.
- 3) From the condition in step 2), expose the sensor - sunload to light.
 - (1) Place intense light such as incandescent light at 30 cm or less from the sunload sensor.
 - (2) Does «Quantity of Sunload» indicate 2000 W/m² or less?

CAUTION:

The value changes depending on the angle of light.

- **Yes** → The sensor - sunload is normal.
- **No** → Replace the sensor - sunload.