

Air Vent Grille

HVAC SYSTEM (HEATER, VENTILATOR AND A/C)

29. Air Vent Grille

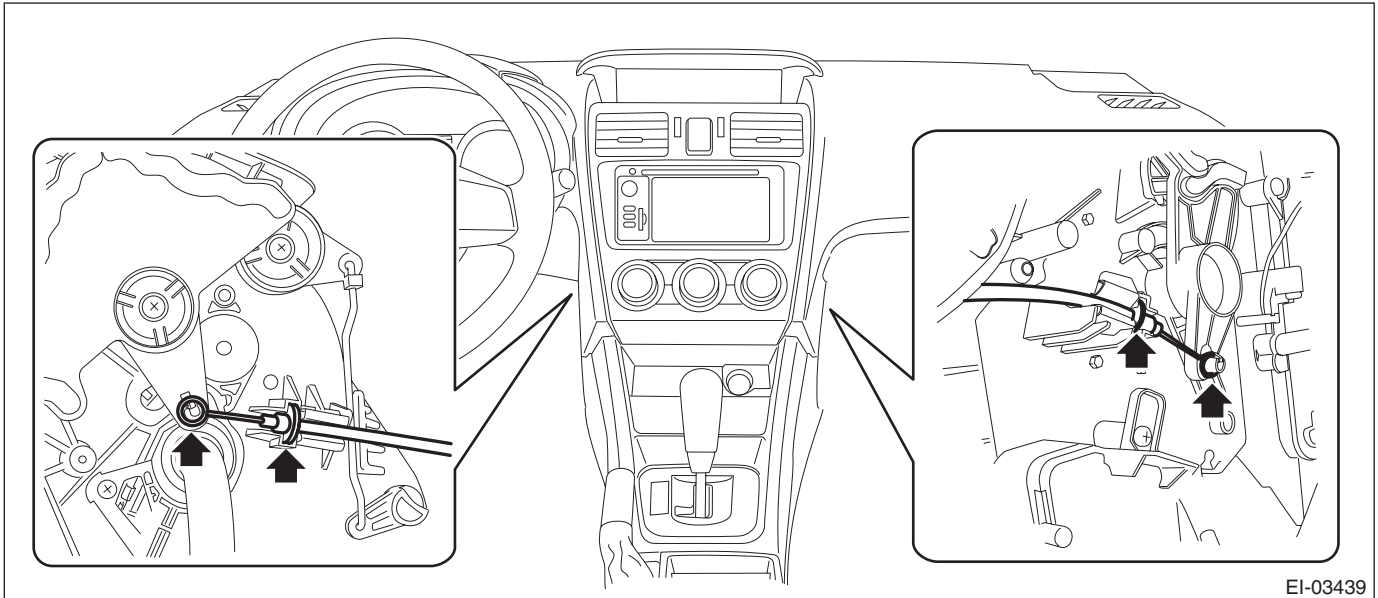
A: REMOVAL

1. CENTER GRILLE ASSEMBLY

CAUTION:

Be careful not to damage the interior trims when removing.

- 1) Disconnect the ground cable from battery.
- 2) On manual A/C models, disconnect the control cables from both sides of the heater and cooling unit assembly.



EI-03439

NOTE:

Remove the glove box pocket assembly on the passenger's side.

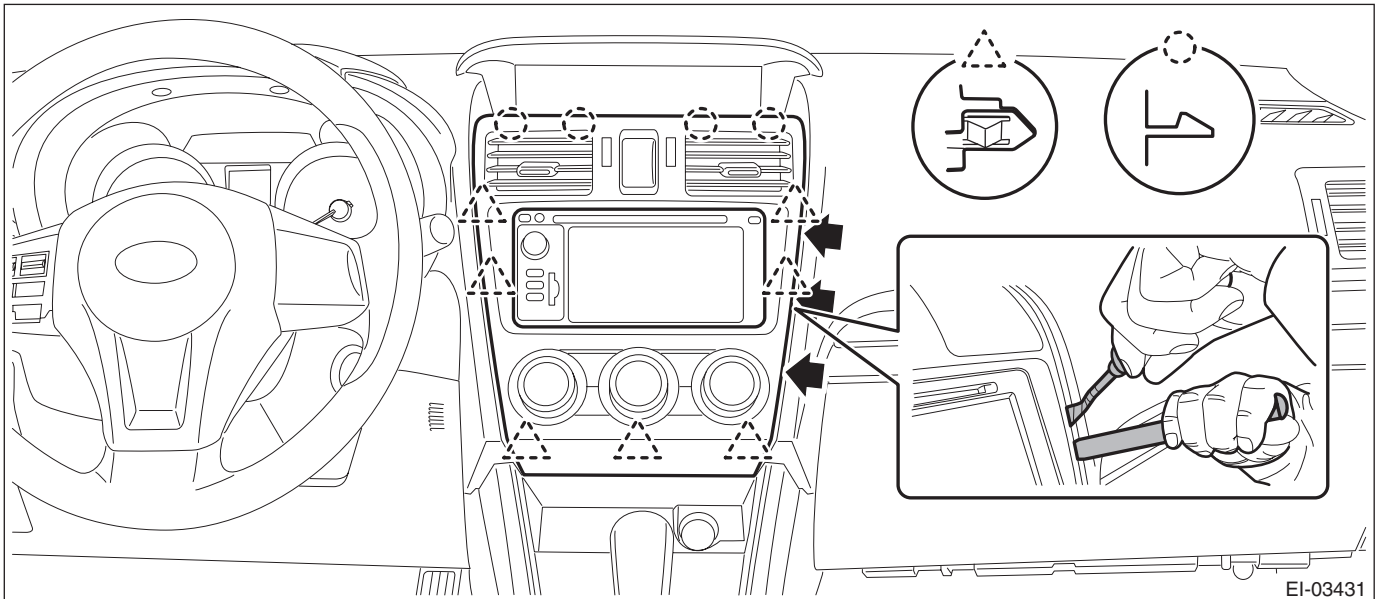
Air Vent Grille

HVAC SYSTEM (HEATER, VENTILATOR AND A/C)

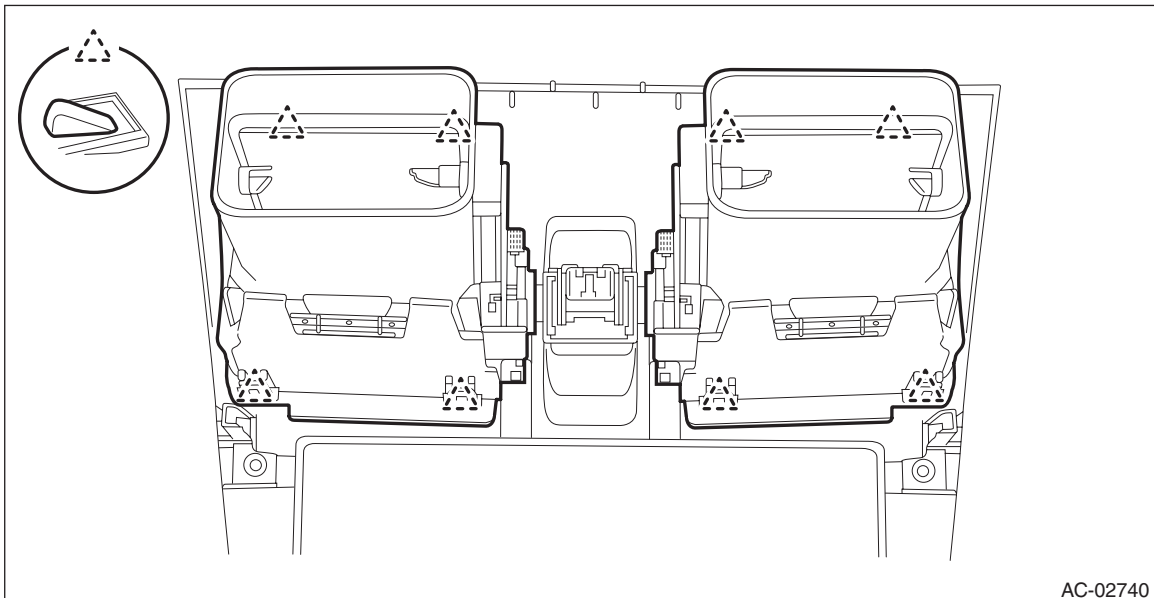
3) Remove the panel center assembly.

CAUTION:

- Do not put your finger on the fin of the air vent grille. Doing so may damage the fin.
- Pull the panel center assembly slowly. Pulling with excessive force may damage the connector.
 - (1) Insert a plastic remover to the three areas shown by the arrows, and lift up the panel center assembly slightly.
 - (2) With the panel center assembly lifted up slightly, release the claw by using a clip remover wrapped with protective tape.
 - (3) Release the rest of the claws, and pull out the panel center assembly.
 - (4) Disconnect the connectors, and remove the panel center assembly.



4) Release the claws, and then remove the grille assembly - CTR ventilation from the panel center assembly.



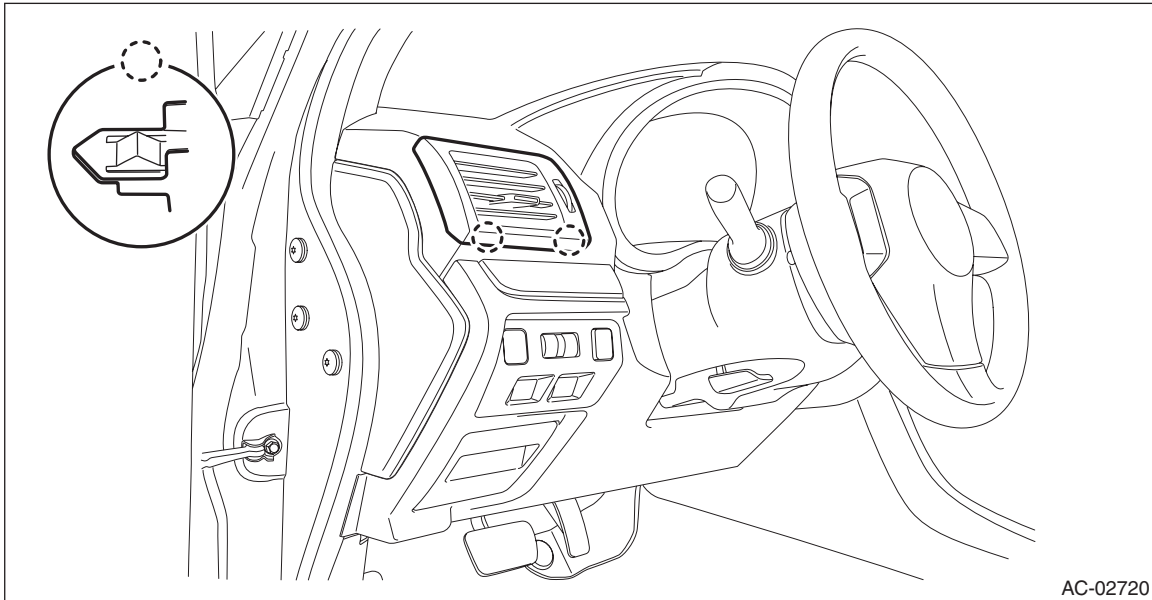
Air Vent Grille

HVAC SYSTEM (HEATER, VENTILATOR AND A/C)

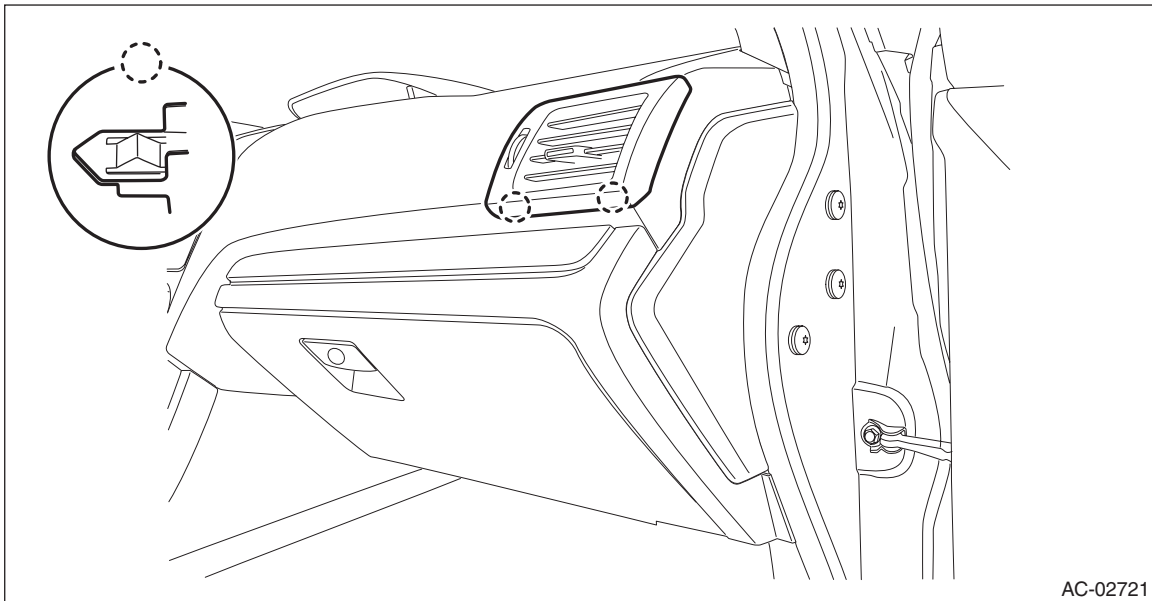
2. SIDE GRILLE ASSEMBLY

Release the claws, and then remove the grille assembly - ventilation RH.

- LH



- RH



B: INSTALLATION

CAUTION:

After installing the panel center assembly or grille assembly - ventilation, check that the air vent grille is inserted correctly into the air vent duct.

Install each part in the reverse order of removal.

C: INSPECTION

- 1) Check that the direction and amount of air can be adjusted smoothly. Replace the grille assembly - ventilation if faulty.
- 2) Check that the adjustment can be maintained in each position. Replace the grille assembly - ventilation if faulty.