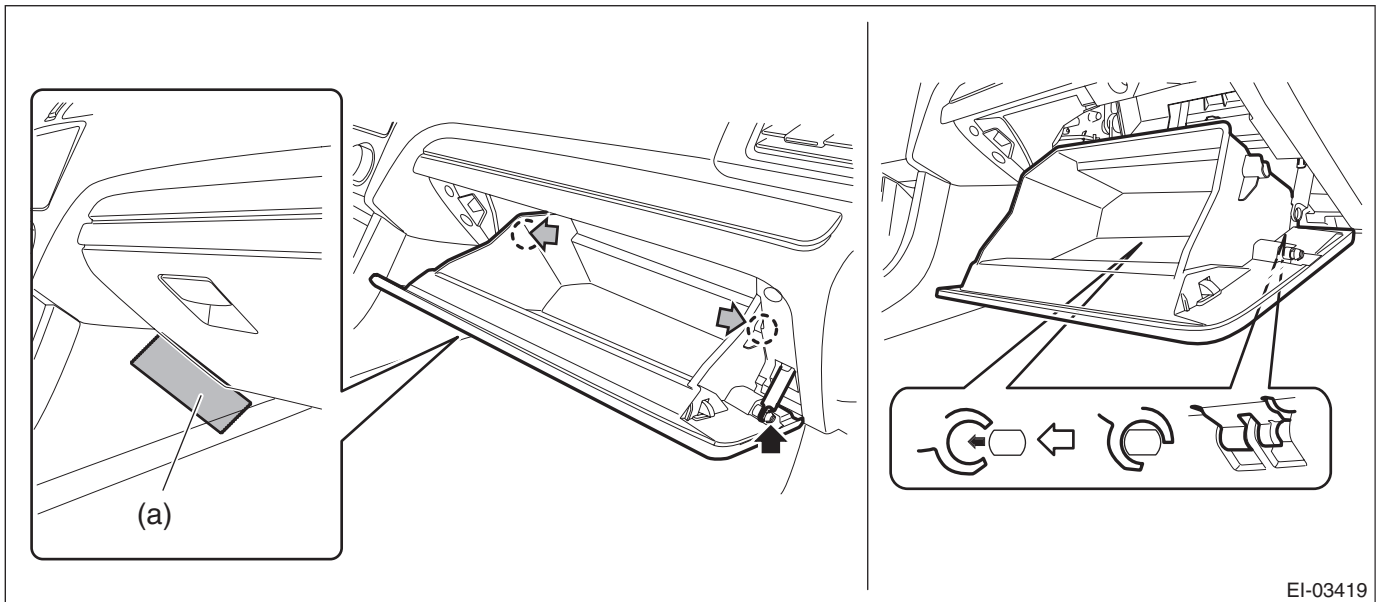


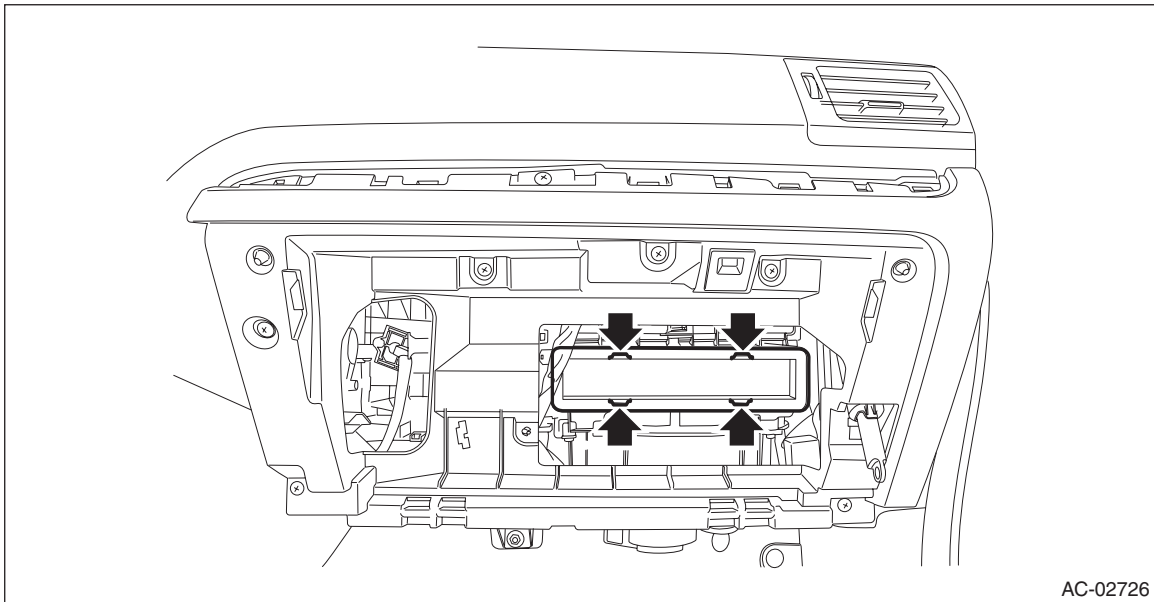
32.A/C Filter

A: REPLACEMENT

- 1) Remove the pocket assembly.
 - (1) Attach the protective tape (a) to the panel center LWR.
 - (2) Remove the damper COMPL - pocket.
 - (3) Release the stoppers and remove the pocket assembly by pulling it toward you.



- 2) Pinch the tabs to release the lock, and remove the filter kit.



- 3) Install each part in the reverse order of removal.