

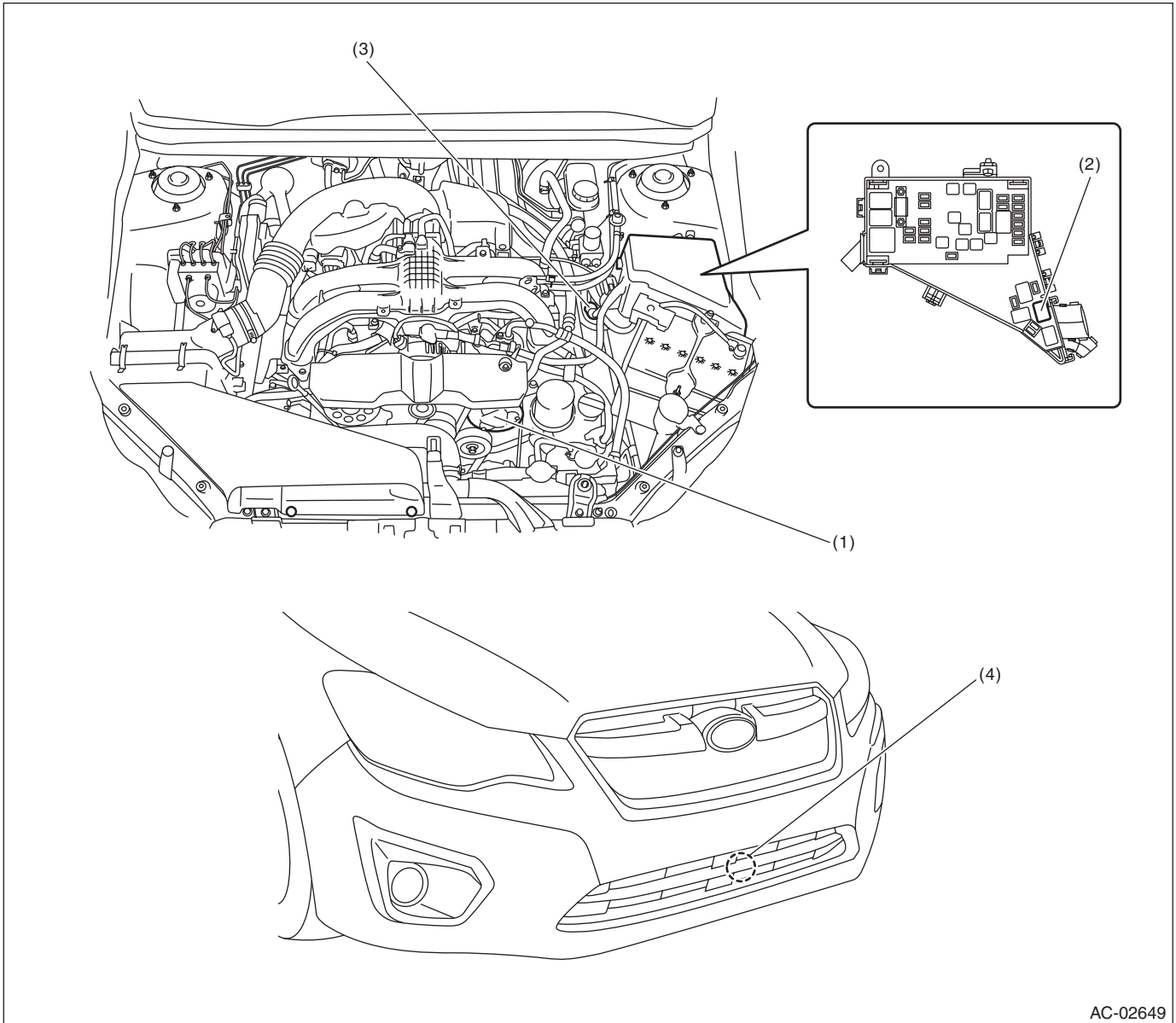
# Electrical Component Location

HVAC SYSTEM (AUTO A/C) (DIAGNOSTICS)

## 3. Electrical Component Location

### A: LOCATION

#### 1. OUTSIDE VEHICLE



AC-02649

(1) A/C compressor  
(2) A/C relay

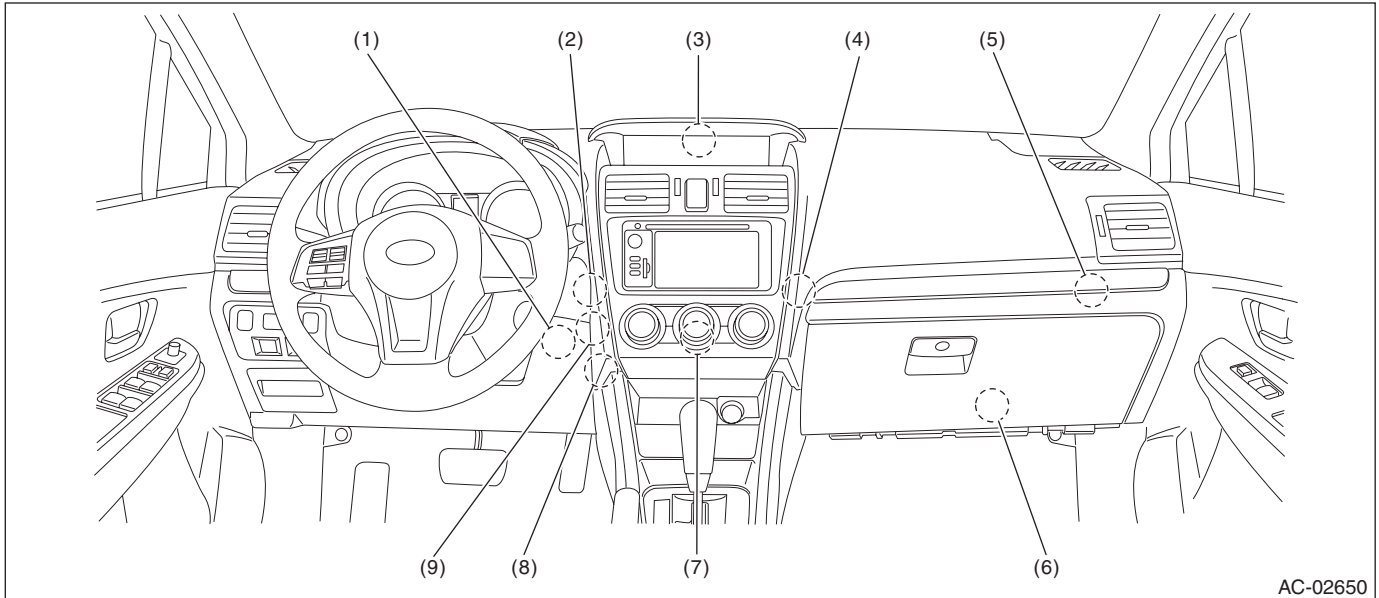
(3) Pressure switch

(4) Ambient sensor

# Electrical Component Location

HVAC SYSTEM (AUTO A/C) (DIAGNOSTICS)

## 2. COMPARTMENT



- |                                 |   |                        |
|---------------------------------|---|------------------------|
| (1) In-vehicle sensor           | (4) Air mix door actuator *1 or air mix door actuator RH *2 | (7) A/C control panel  |
| (2) Air mix door actuator LH *2 | (5) Intake door actuator                                    | (8) Evaporator sensor  |
| (3) Sunload sensor              | (6) Blower motor  | (9) Mode door actuator |

\*1: Without left/right independent air conditioning function

\*2: With left/right independent air conditioning function