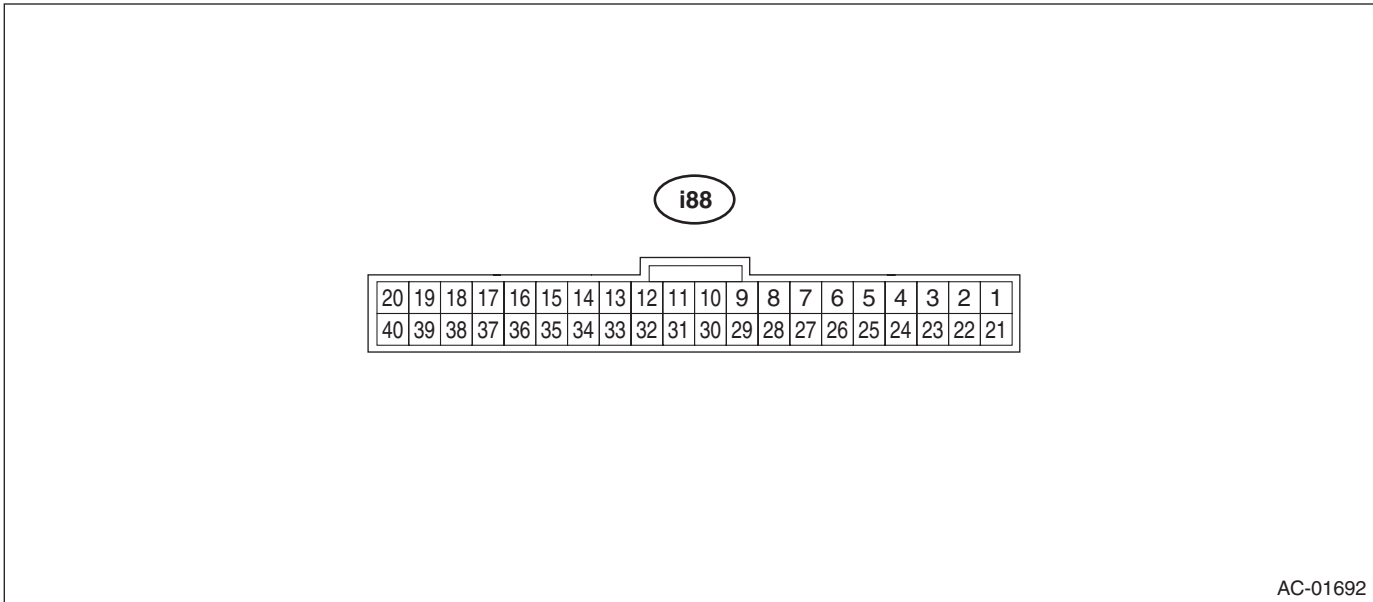


Auto A/C Control Module I/O Signal

HVAC SYSTEM (AUTO A/C) (DIAGNOSTICS)

4. Auto A/C Control Module I/O Signal

A: ELECTRICAL SPECIFICATION



AC-01692

Auto A/C Control Module I/O Signal

HVAC SYSTEM (AUTO A/C) (DIAGNOSTICS)

Terminal No.	Description	Measuring condition	Standard	
1	Mode door actuator #4	Digital signal; can not be measured	—	
2	Mode door actuator #3	Digital signal; can not be measured	—	
3	Mode door actuator #2	Digital signal; can not be measured	—	
4	Mode door actuator #1	Digital signal; can not be measured	—	
6	Intake door actuator (FRESH)	FRESH mode	8 V or more	
8	Intake door actuator (RECIRC)	RECIRC mode	8 V or more	
9	Blower fan ON signal	Blower fan is ON	1 V or less	
10	Intake door potentiometer power supply	Ignition switch ON	5 V	
11	A/C cut-off signal	A/C is cut off	1 V or less	
12	Intake door potentiometer signal	Ignition switch ON	0 — 5 V	
14	GND for sensors	Always	1 V or less	
15	ACC power supply	ACC ON	Battery voltage	
16	Sunload sensor	Sunlight is contacting sensor	1 — 4 V	
17	RECIRC sensor	Ignition switch ON	25°C: 2.5 V	
18	Post evaporator sensor	Depends on temperature after the evaporator.	1 — 4.5 V	
19	CAN Lo	Digital signal; can not be measured	—	
20	CAN Hi	Digital signal; can not be measured	—	
21	Air mix door actuator LH #4*2	Digital signal; can not be measured	—	
22	Air mix door actuator LH #3*2	Digital signal; can not be measured	—	
23	Air mix door actuator LH #2*2	Digital signal; can not be measured	—	
24	Air mix door actuator LH #1*2	Digital signal; can not be measured	—	
25	Air mix door actuator #4 *1 or air mix door actuator RH #4 *2	Digital signal; can not be measured	—	
26	Air mix door actuator #3 *1 or air mix door actuator RH #3 *2	Digital signal; can not be measured	—	
27	Air mix door actuator #2 *1 or air mix door actuator RH #2 *2	Digital signal; can not be measured	—	
28	Air mix door actuator #1 *1 or air mix door actuator RH #1 *2	Digital signal; can not be measured	—	
31	BATT	Always	Battery voltage	
32	IGN	Ignition ON	Battery voltage	
34	GND	Always	1 V or less	
35	ILL-	Illumination ON (measure between 37 — 35)	Battery voltage	
37	ILL+			
40	Fan control signal	Ignition switch: ON, Blower switch: ON	1st	Approx. 9 V
			2nd	Approx. 8 V
			3rd	Approx. 7 V
			4th	Approx. 6 V
			5th	Approx. 5 V
			6th	Approx. 3.5 V
			7th	Approx. 0.5 V

*1: Without left/right independent air conditioning function

*2: With left/right independent air conditioning function

B: WIRING DIAGRAM

1. AIR CONDITIONER AUTO A/C MODEL

<Ref. to WI-35, WIRING DIAGRAM, Air Conditioning System.>

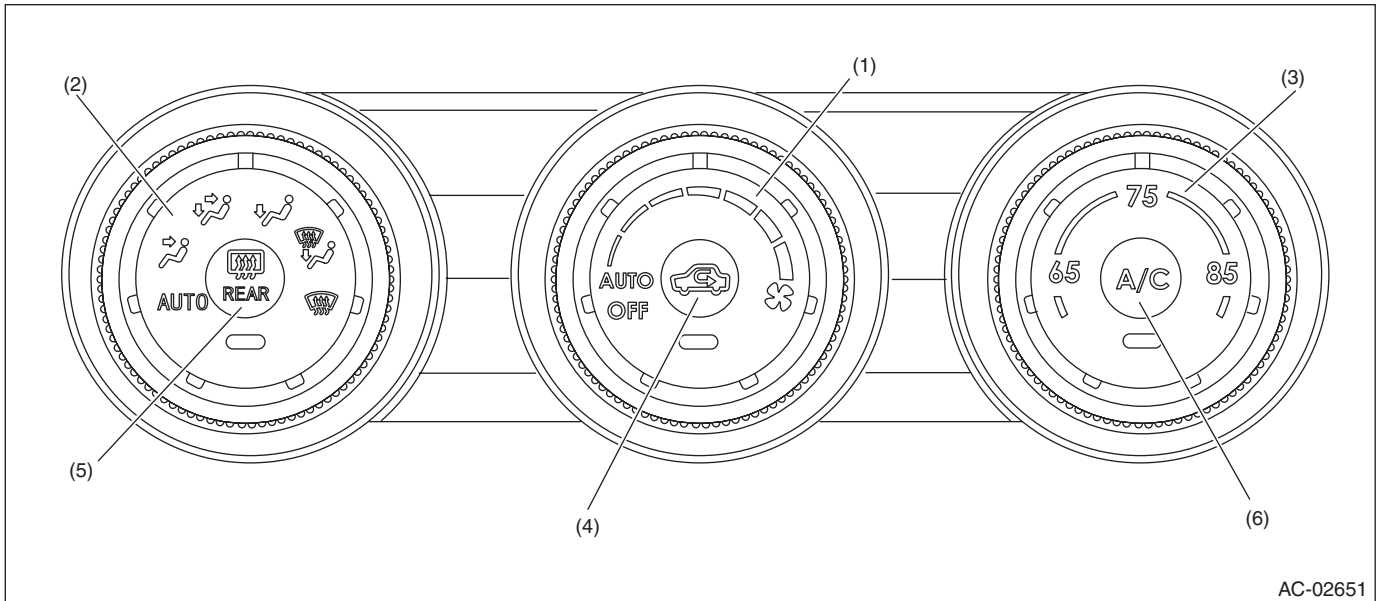
Diagnostic Chart for Self-Diagnosis

HVAC SYSTEM (AUTO A/C) (DIAGNOSTICS)

5. Diagnostic Chart for Self-Diagnosis

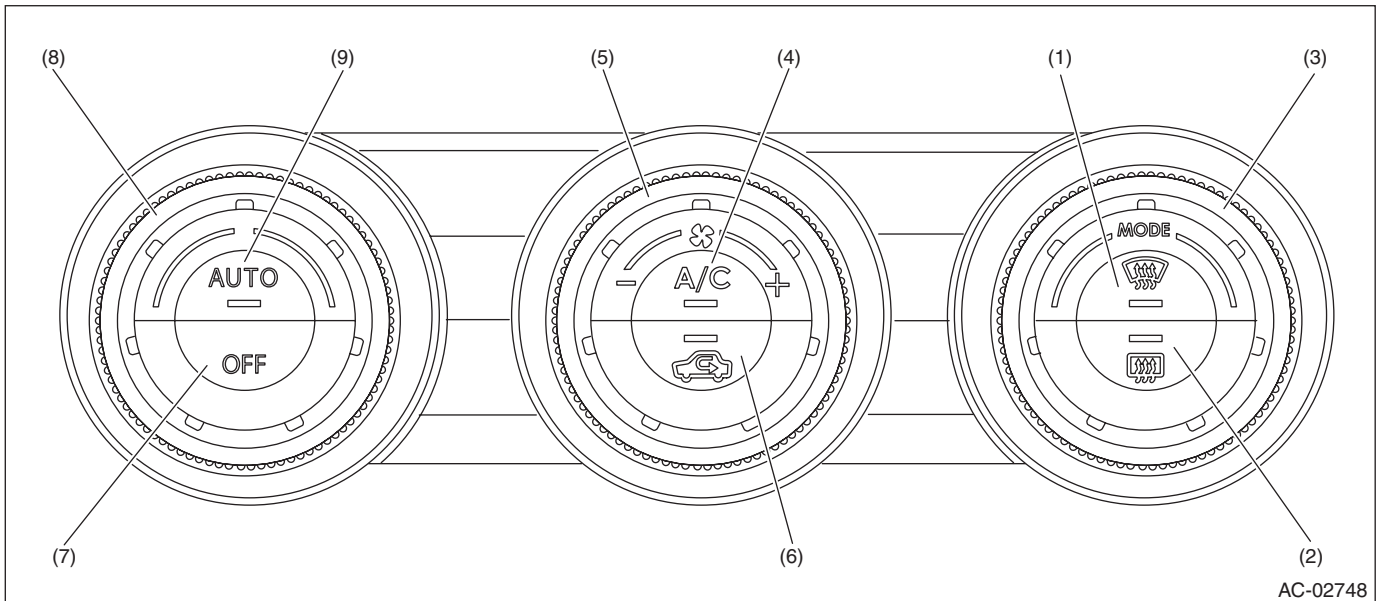
A: OPERATION

- Without left/right independent air conditioning function (without high grade MFD)



- | | | |
|---------------------------|---------------------------------|---------------------------------|
| (1) Fan dial | (3) Temperature adjustment dial | (5) Rear window defogger switch |
| (2) Air flow control dial | (4) FRESH/RECIRC switch | (6) A/C switch |

- Without left/right independent air conditioning function (with high grade MFD)



- | | | |
|---------------------------------|-------------------------|---------------------------------|
| (1) Defroster switch | (4) A/C switch | (7) OFF switch |
| (2) Rear window defogger switch | (5) Fan dial | (8) Temperature adjustment dial |
| (3) Air flow control dial | (6) FRESH/RECIRC switch | (9) AUTO switch |