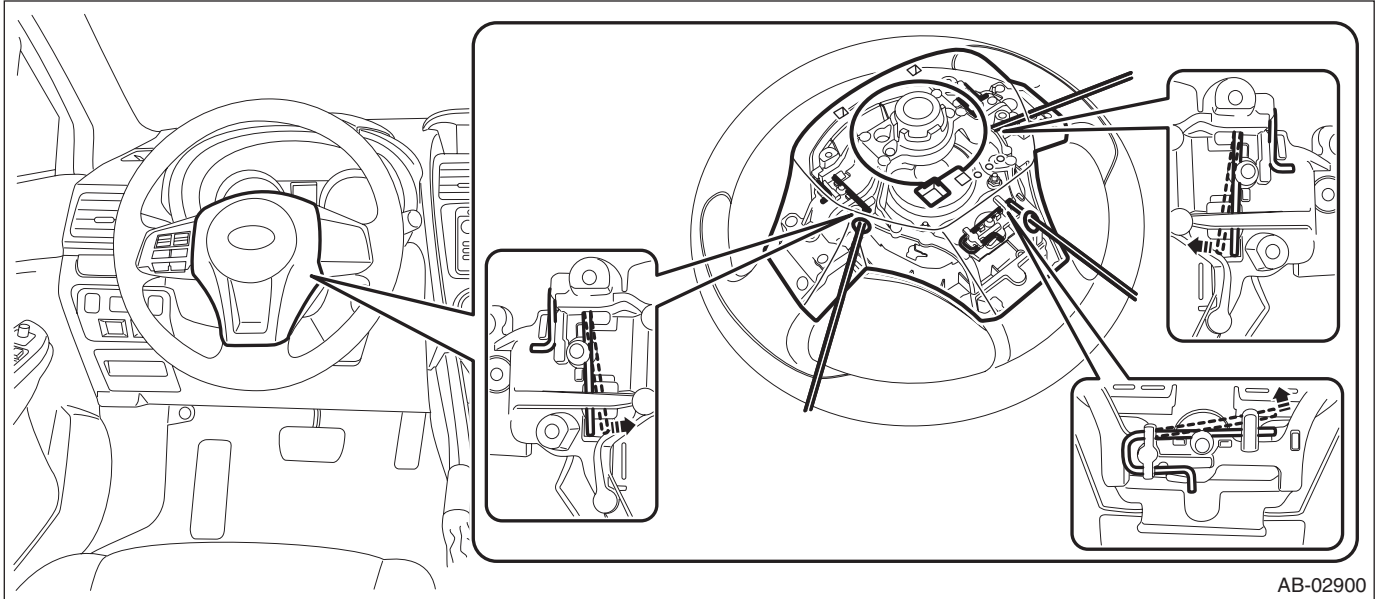


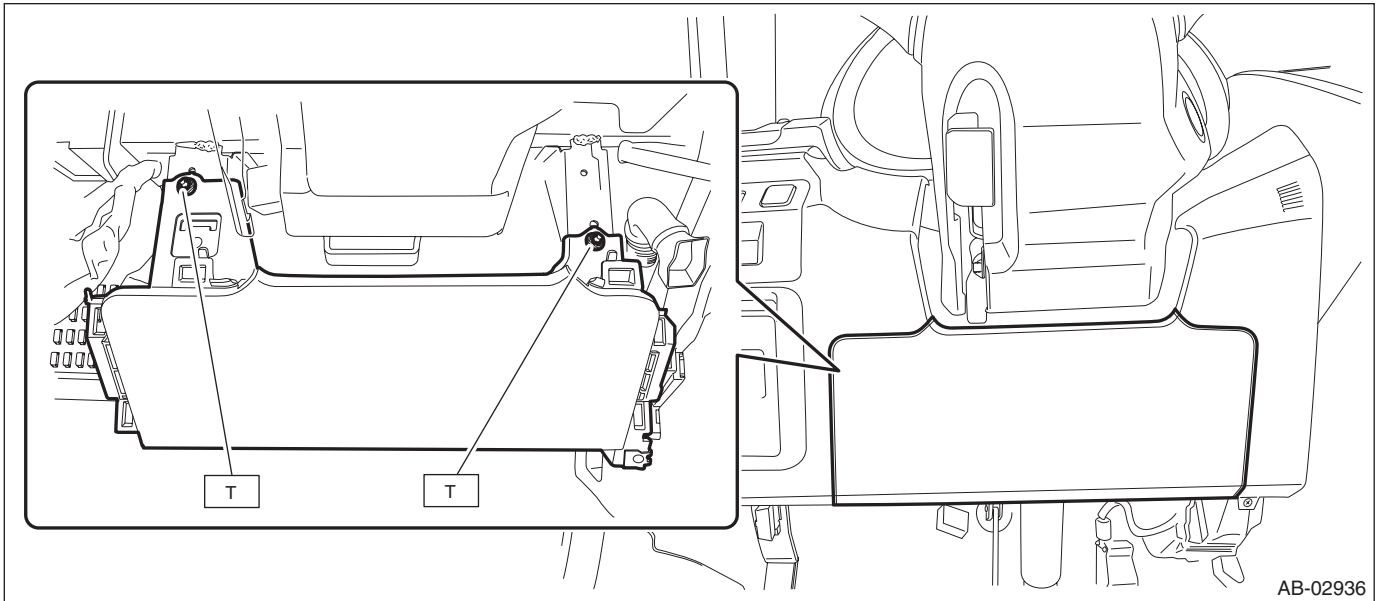
# General Description

## AIRBAG SYSTEM

### 1. DRIVER'S AIRBAG MODULE

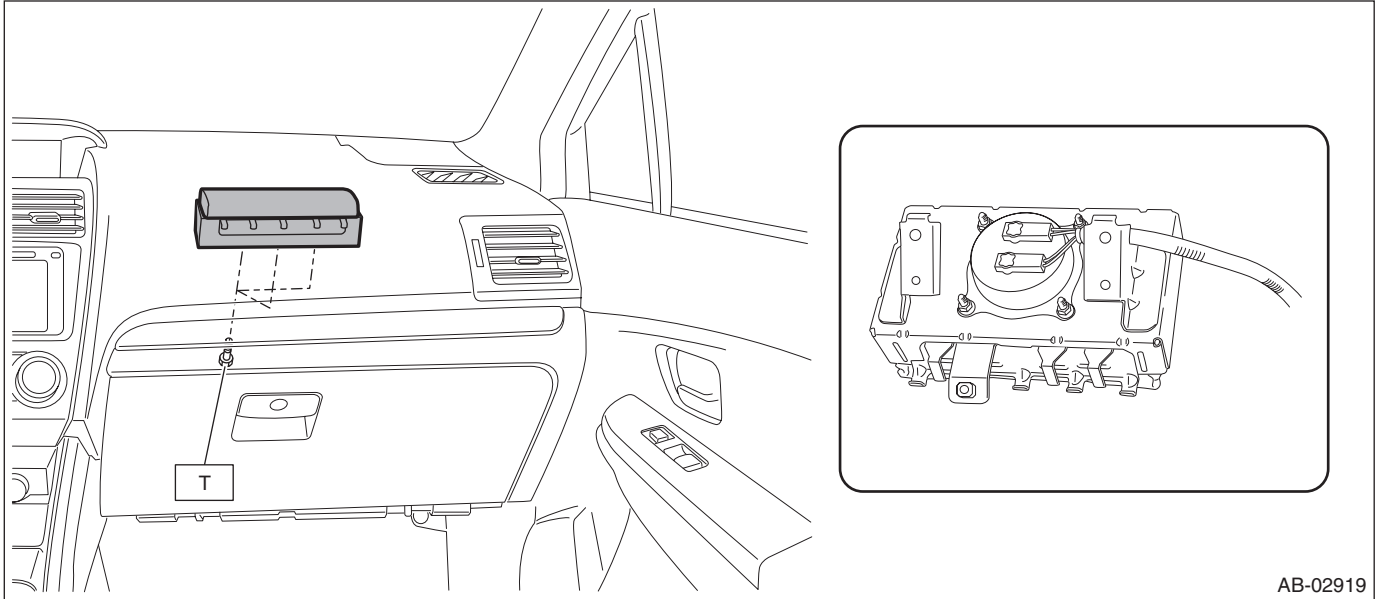


### 2. KNEE AIRBAG MODULE



**Tightening torque:**  
**7.5 N·m (0.76 kgf·m, 5.5 ft·lb)**

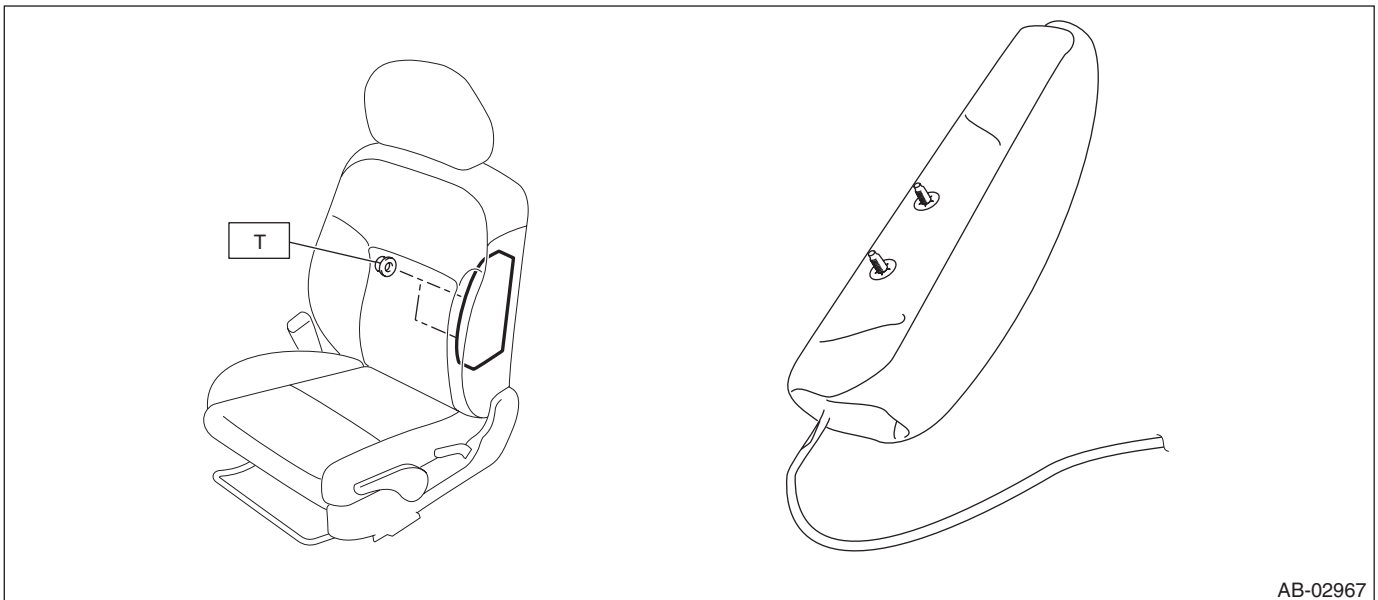
### 3. PASSENGER'S AIRBAG MODULE



AB-02919

**Tightening torque:**  
**7.5 N·m (0.76 kgf-m, 5.5 ft-lb)**

### 4. SIDE AIRBAG MODULE



AB-02967

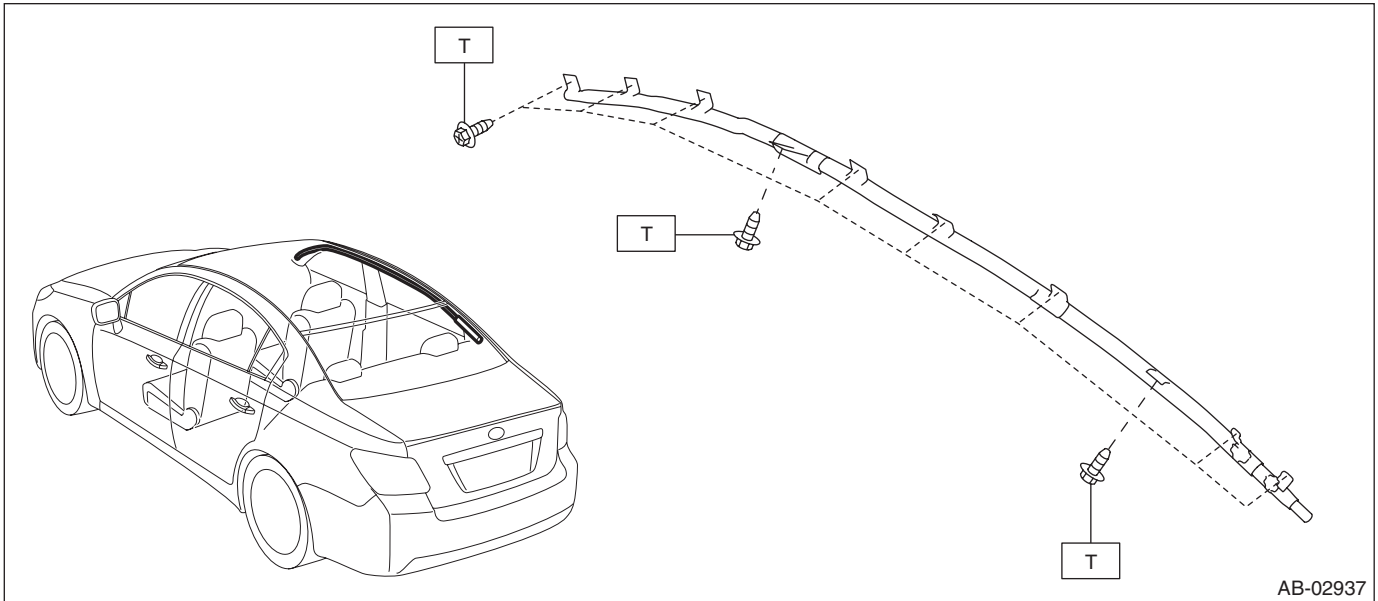
**Tightening torque:**  
**6 N·m (0.61 kgf-m, 4.4 ft-lb)**

# General Description

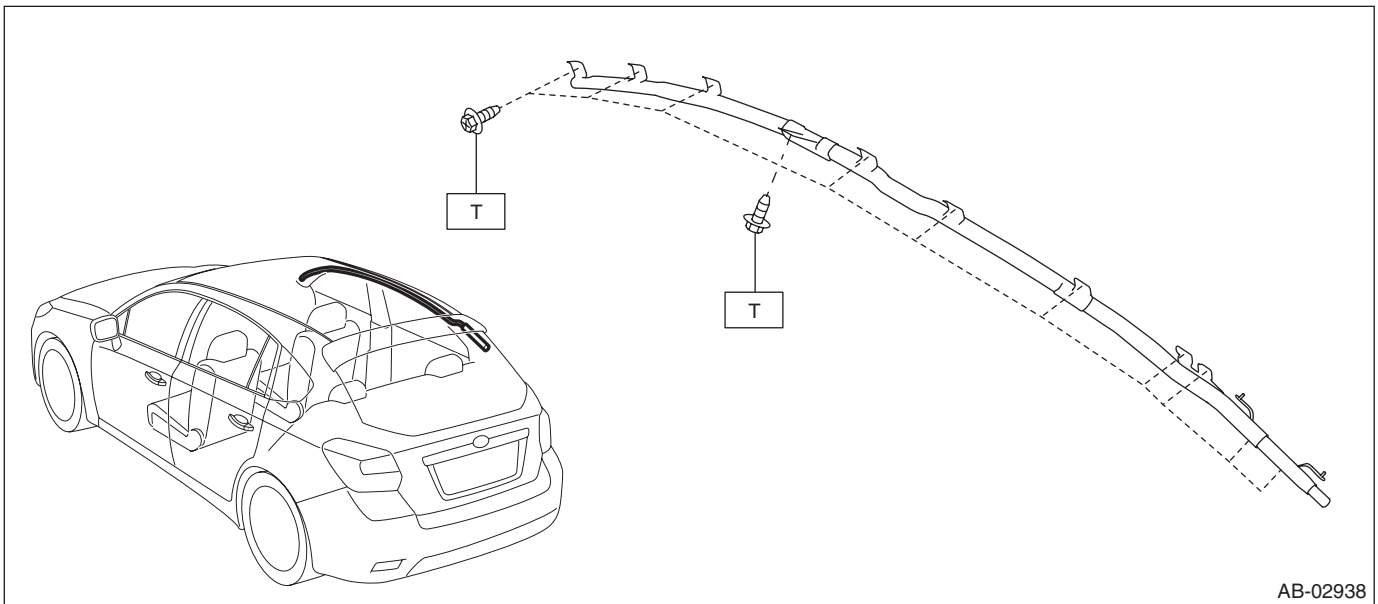
## AIRBAG SYSTEM

### 5. CURTAIN AIRBAG MODULE

- 4 door model



- 5 door model/XV model

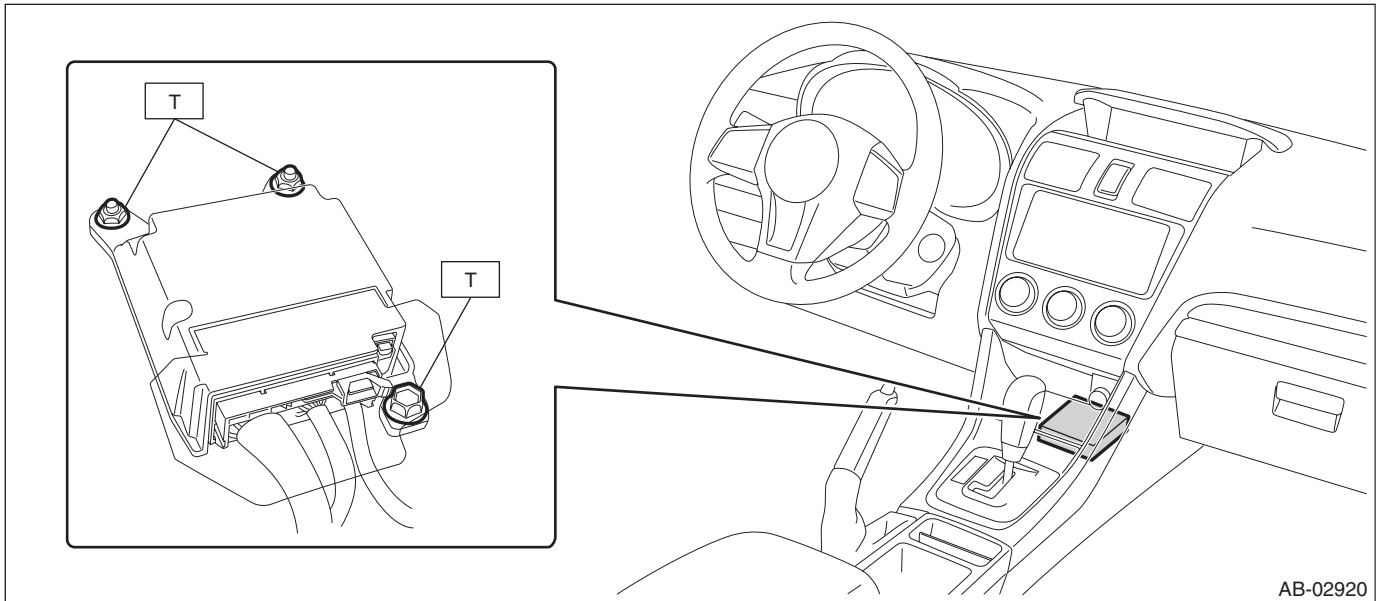


**Tightening torque:**  
**7.5 N·m (0.76 kgf·m, 5.5 ft·lb)**

### 6. AIRBAG CONTROL MODULE

**CAUTION:**

Do not reuse mounting bolts and nuts.



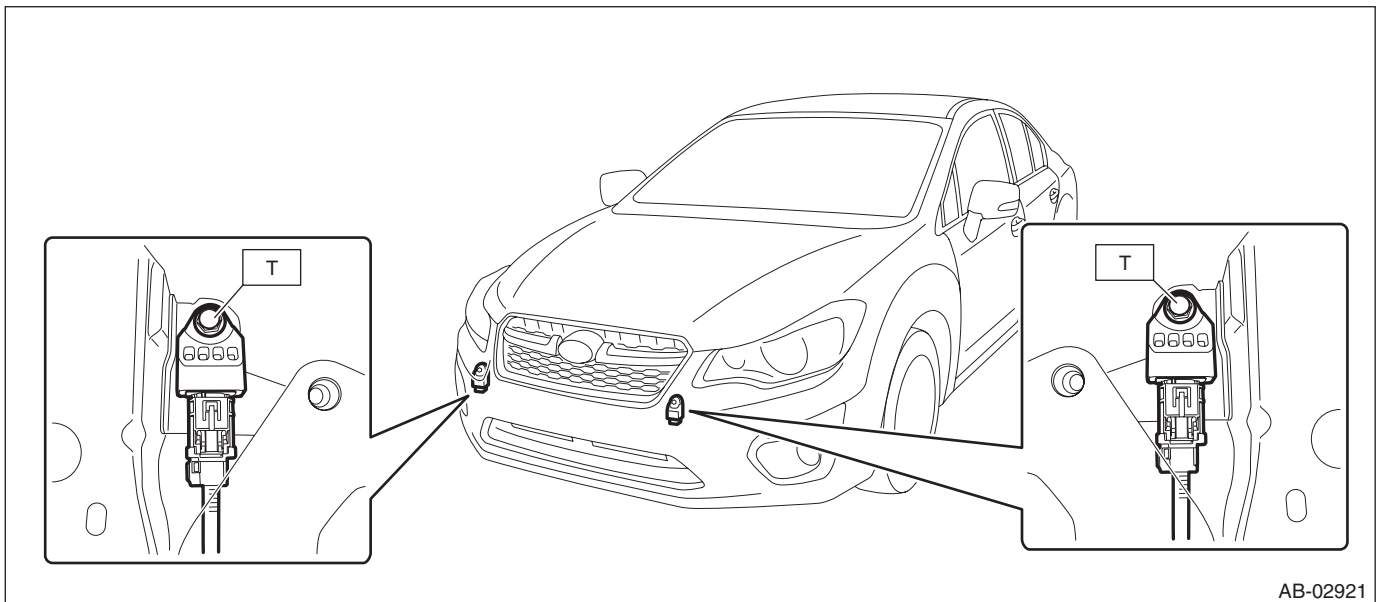
**Tightening torque:**

**25 N·m (2.55 kgf·m, 18.4 ft·lb)**

### 7. FRONT SUB SENSOR

**CAUTION:**

Do not reuse mounting bolts and nuts.



**Tightening torque:**

**13 N·m (1.33 kgf·m, 9.6 ft·lb)**

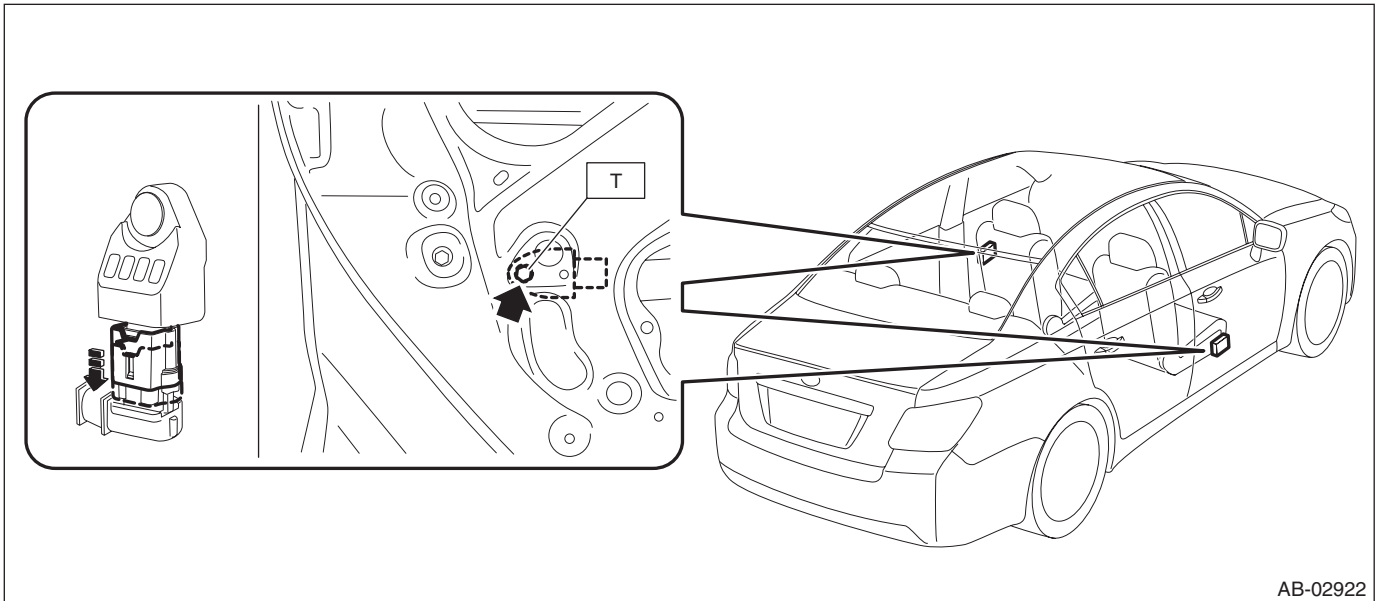
# General Description

## AIRBAG SYSTEM

### 8. FRONT DOOR IMPACT SENSOR

#### CAUTION:

Do not reuse mounting bolts and nuts.



AB-02922

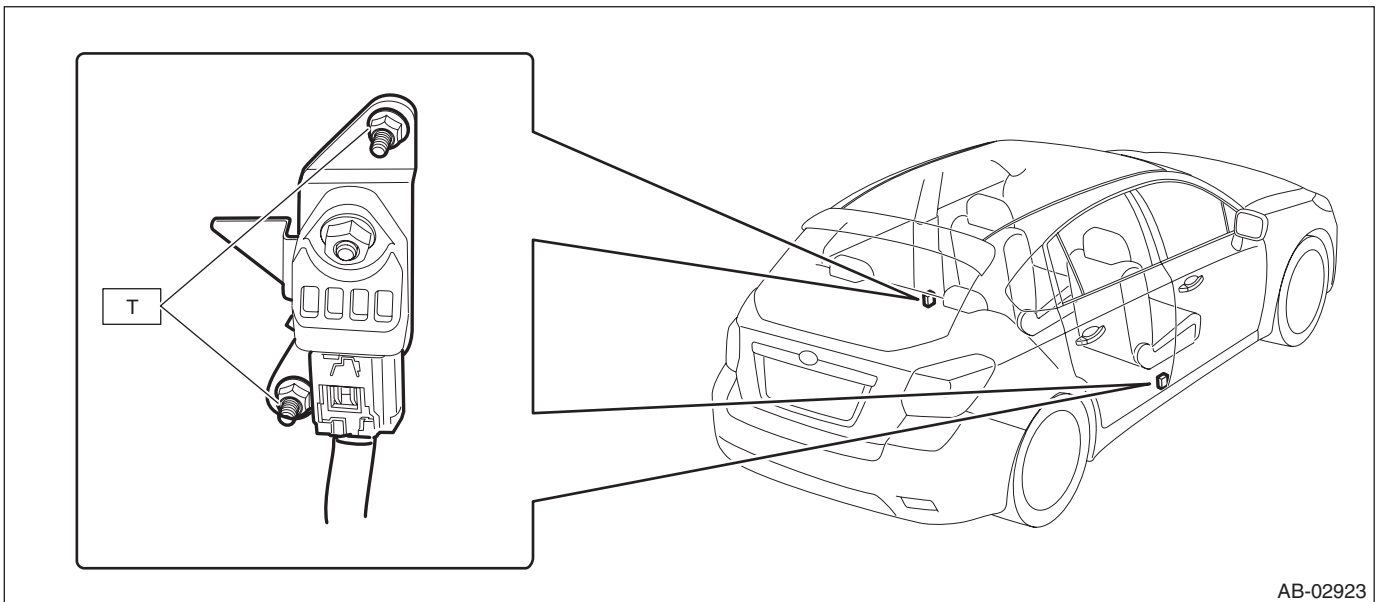
#### Tightening torque:

**7.5 N·m (0.76 kgf-m, 5.5 ft-lb)**

### 9. SIDE AIRBAG SENSOR

#### CAUTION:

Do not reuse mounting bolts and nuts.



AB-02923

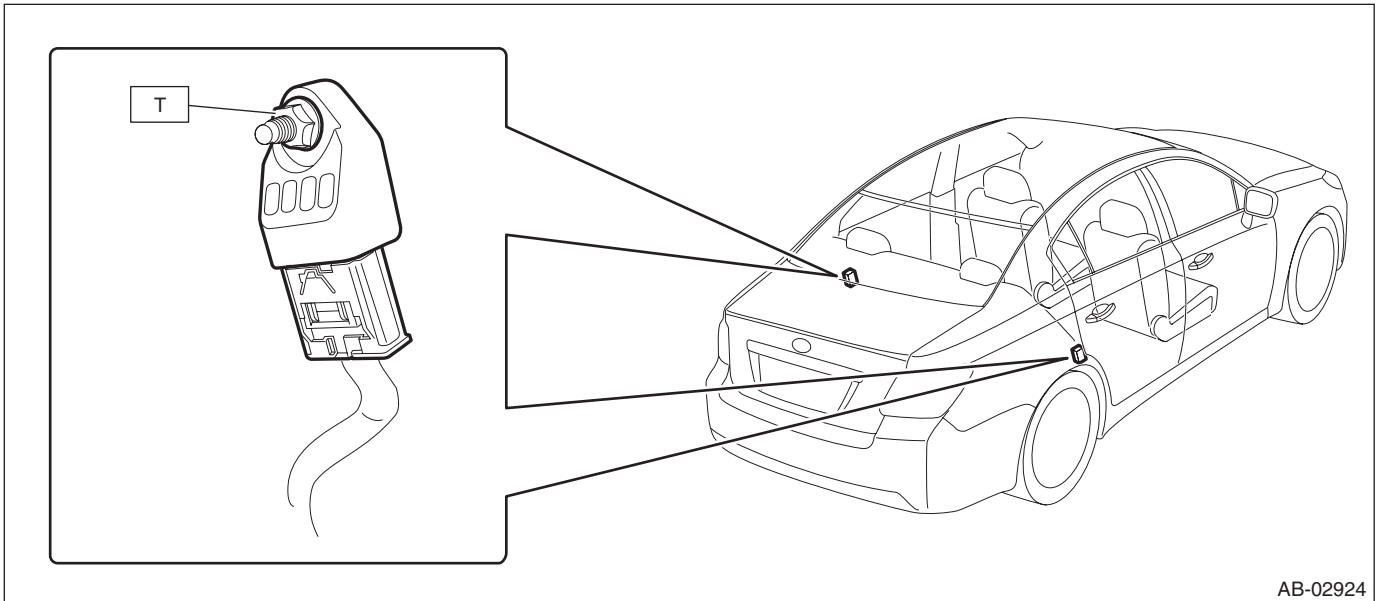
#### Tightening torque:

**7.5 N·m (0.76 kgf-m, 5.5 ft-lb)**

## 10. CURTAIN AIRBAG SENSOR

**CAUTION:**

Do not reuse mounting bolts and nuts.



AB-02924

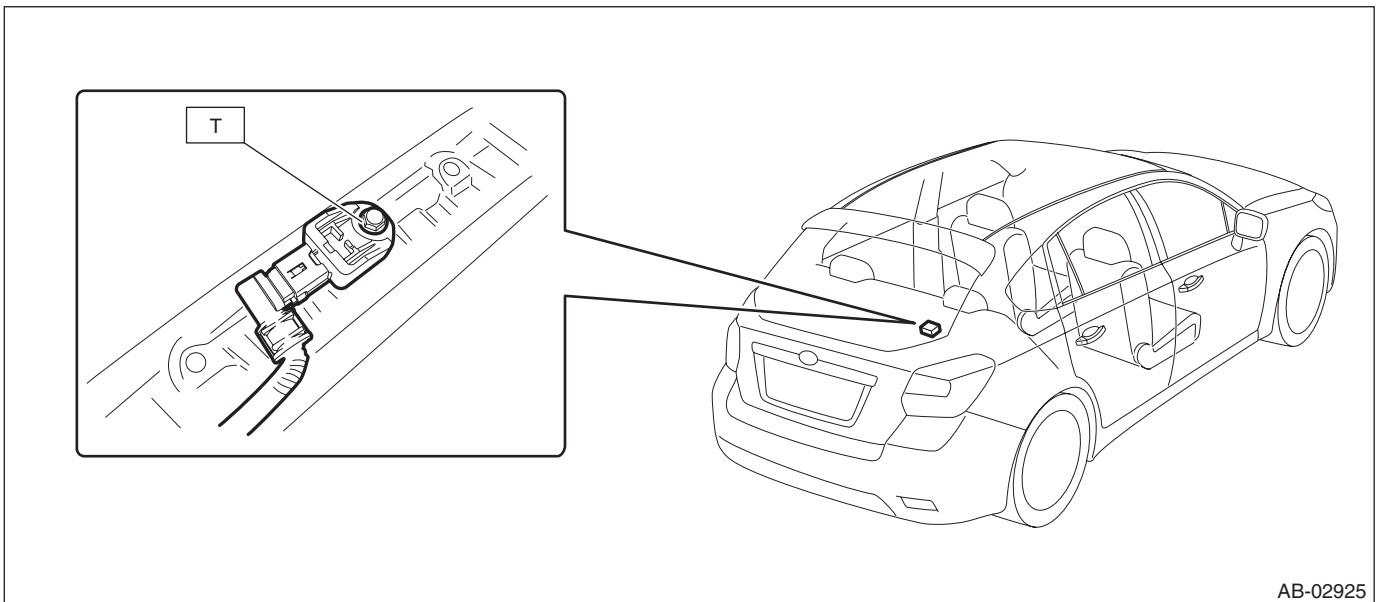
**Tightening torque:**

**7.5 N·m (0.76 kgf-m, 5.5 ft-lb)**

## 11. SATELLITE SAFING SENSOR

**CAUTION:**

Do not reuse mounting bolts and nuts.



AB-02925

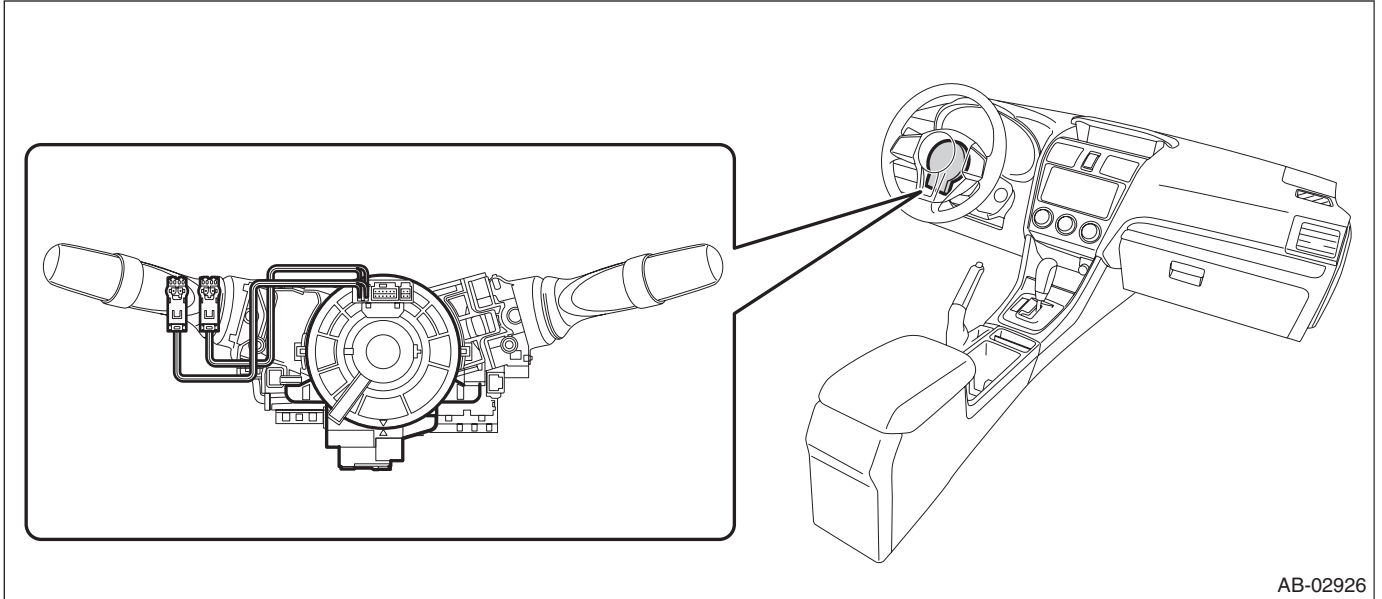
**Tightening torque:**

**7.5 N·m (0.76 kgf-m, 5.5 ft-lb)**

# General Description

AIRBAG SYSTEM

## 12. STEERING ROLL CONNECTOR

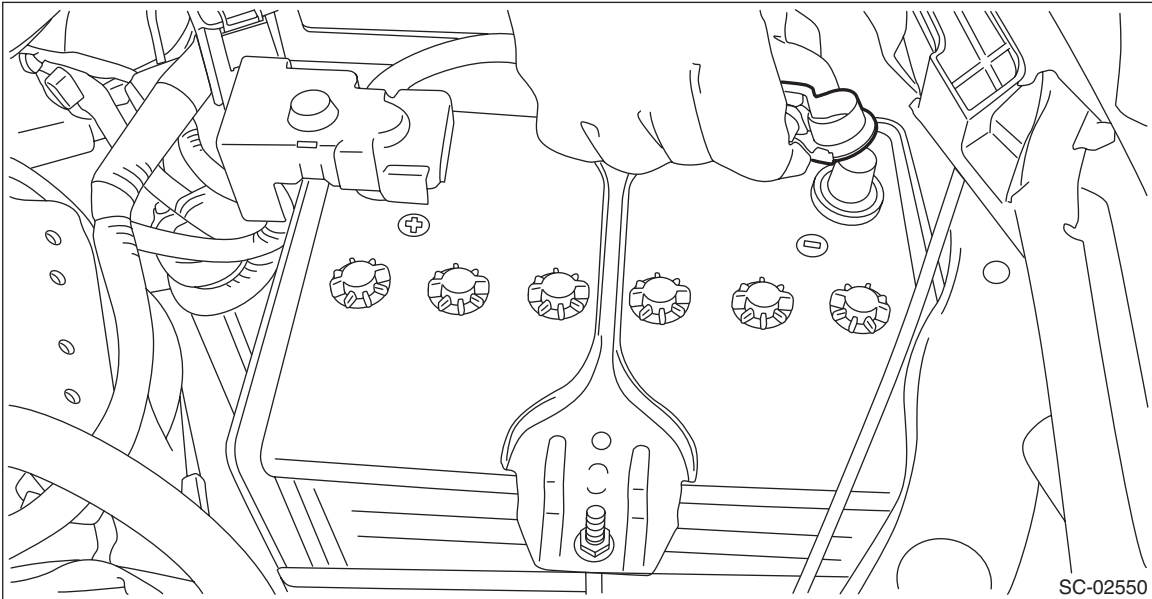


AB-02926

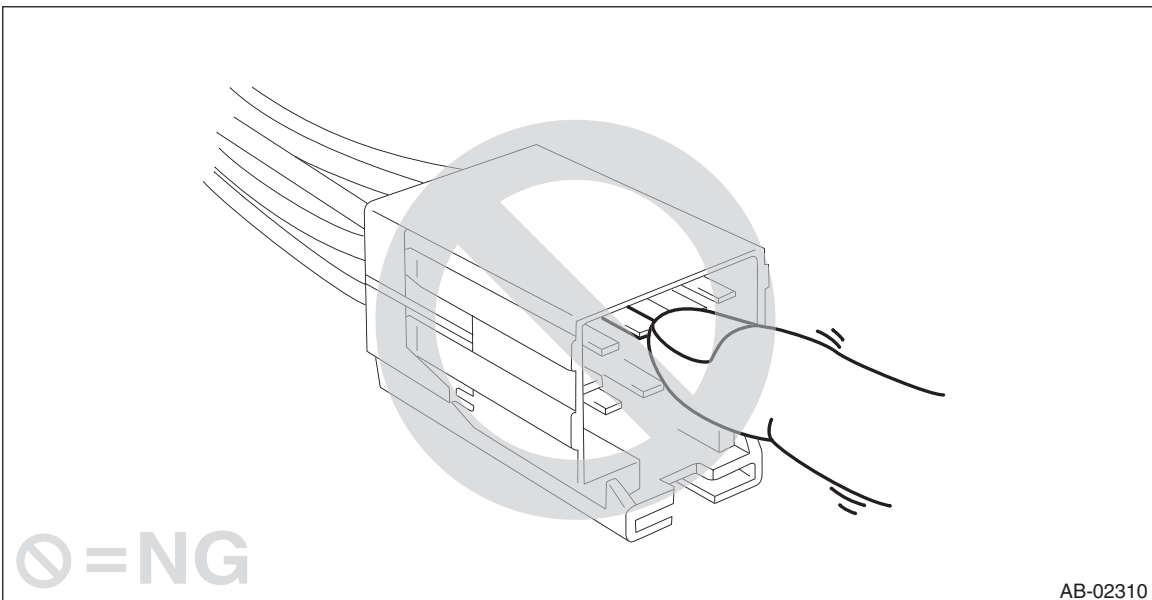
## B: CAUTION

### 1. BEFORE STARTING ALL WORKS

- The airbag system is fitted with a backup power supply. After disconnecting the battery ground cable, the airbag may operate if you do not wait for 60 seconds or more before starting the service of airbag system.



- When servicing a vehicle, be sure to turn the ignition switch to OFF, disconnect the ground cable from battery, and wait for 60 seconds or more before starting work.
- If the airbag warning light illuminates, check or repair the vehicle immediately to prevent it from airbag system malfunction.
- Do not allow water or oil to come in contact with the connector terminals. Also, do not touch the connector terminals directly.

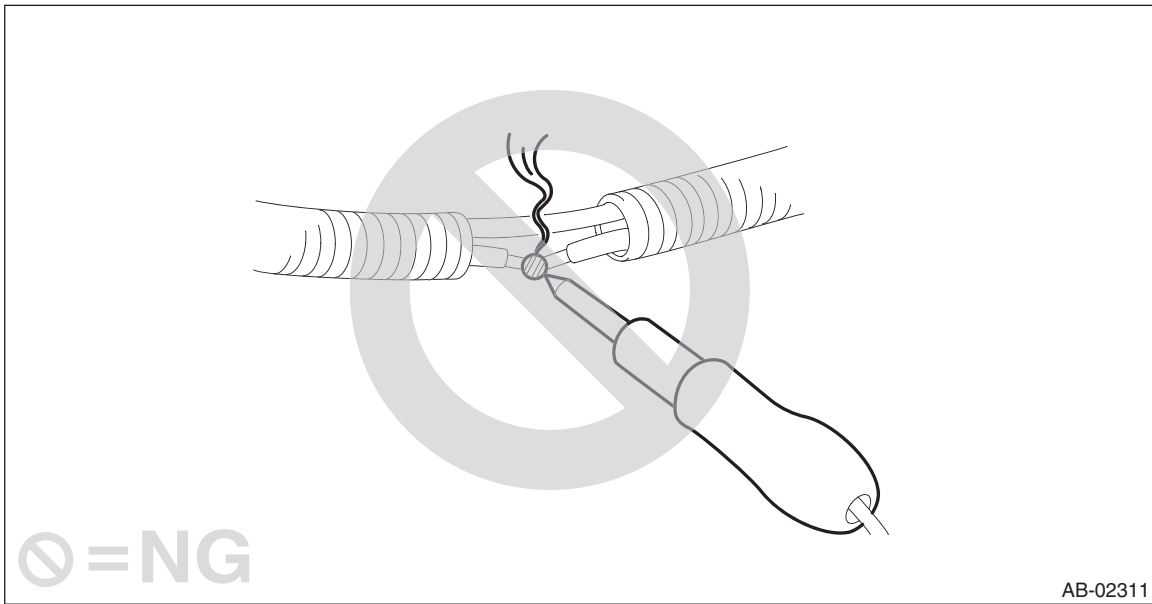




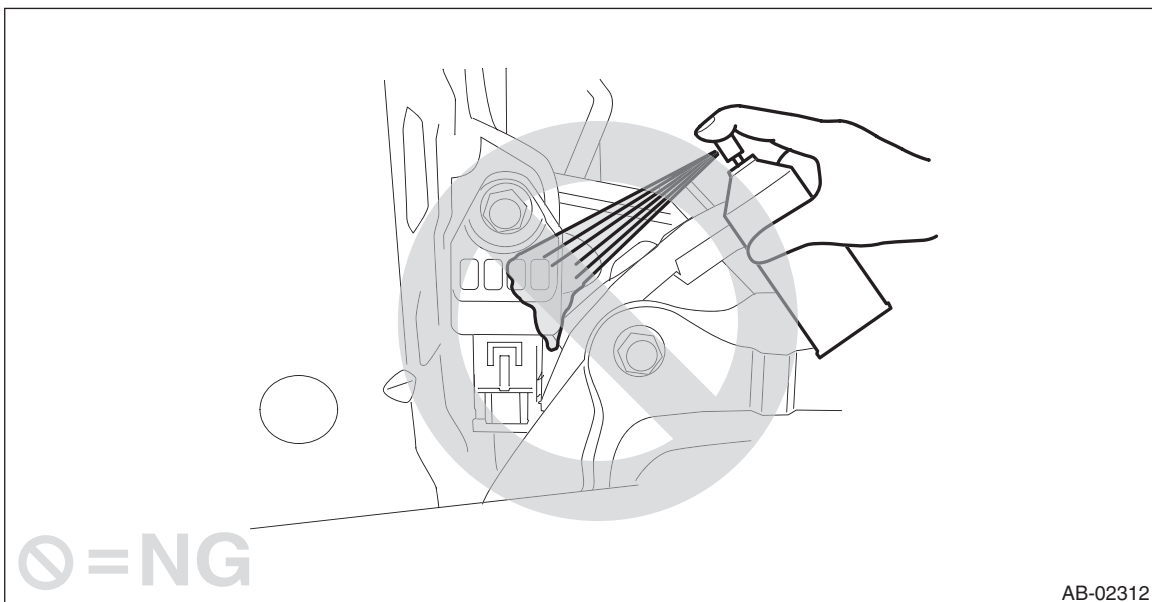
## General Description

### AIRBAG SYSTEM

- If damage, open circuit or rust is found on airbag system wiring harness, do not repair the harness. Always replace the faulty harness with a new genuine part.



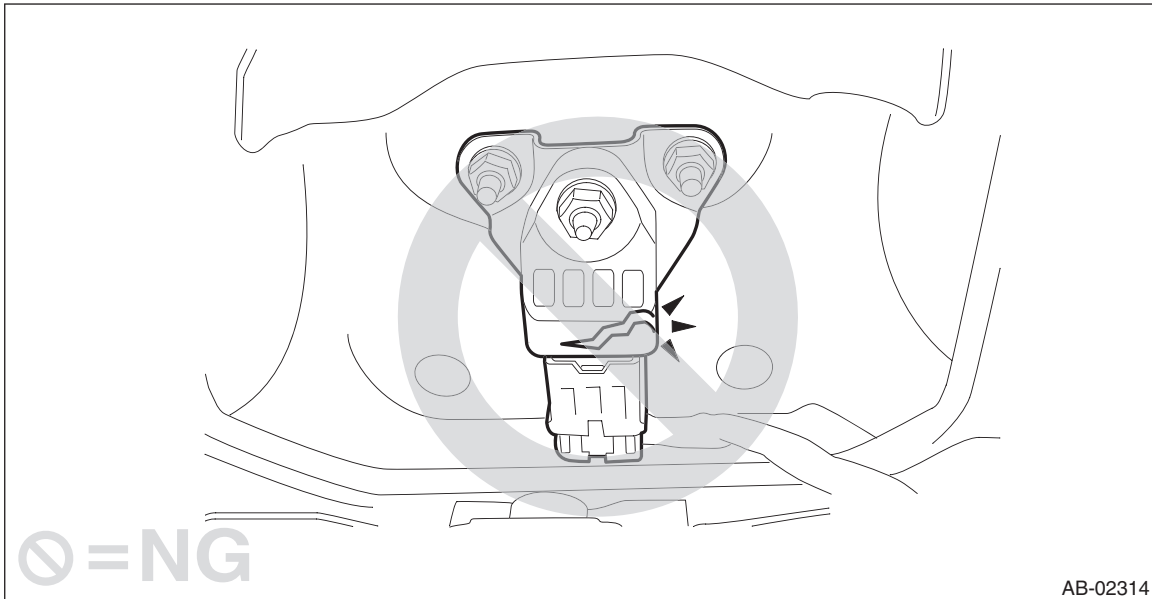
- When painting or performing sheet metal work on the front part of the vehicle, including the front wheel apron, front fender and radiator panel side, remove the front sub sensors and wiring harness of airbag system.
- When painting or performing sheet metal work on the side of the vehicle, including the side sill, center pillar and front and rear doors, remove the front door impact sensor, side airbag sensors, curtain airbag sensor, satellite safing sensor and wiring harness of the airbag system.



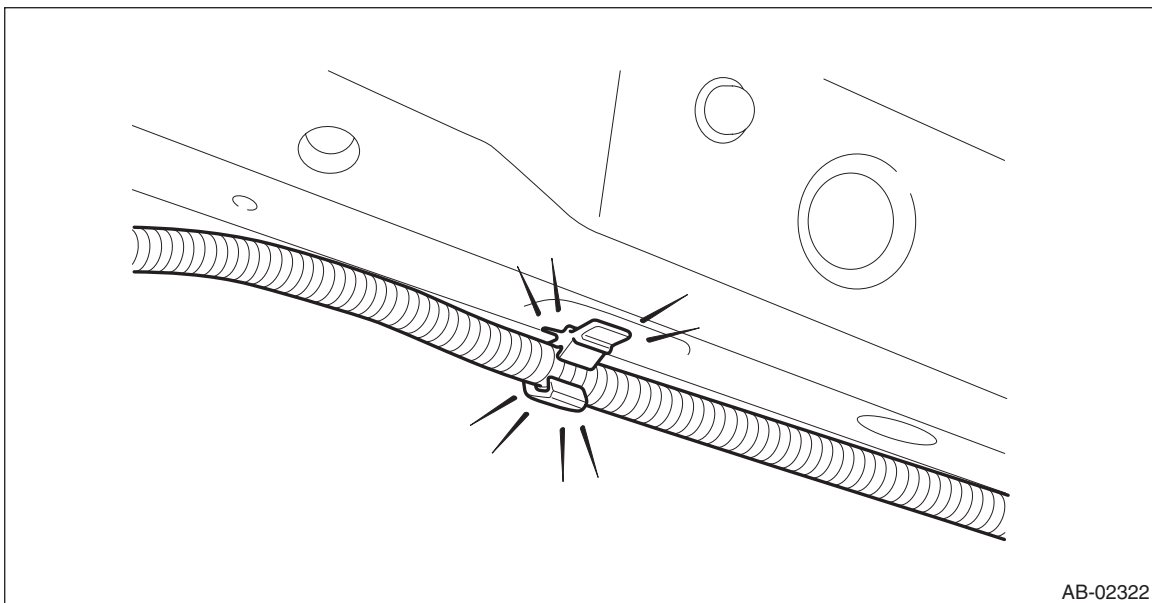
- When attaching the steering wheel and steering roll connector, be sure to adjust the steering roll connector.

## 2. BEFORE STARTING PARTS REPLACEMENT

- If airbag sensors, airbag module, airbag control module, pretensioners, harnesses, or the cover - satellite safing are deformed or damaged, replace with new parts.



- Install the wiring harness securely with the specified clips to avoid interference or tangled with other parts.

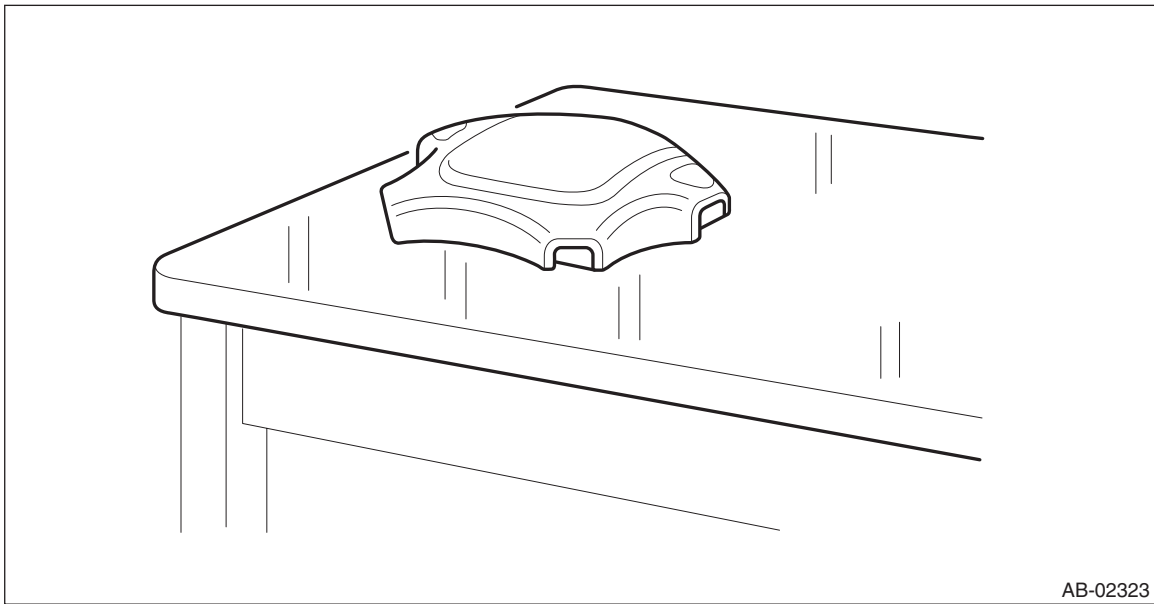


- Do not use the airbag or pretensioner parts from other vehicles. Always replace the defective parts with new parts.
- Never reuse any activated airbag module and pretensioner.
- Do not discard undeployed airbag or pretensioner.
- When airbag control module, front sub sensor, front door impact sensor, side airbag sensor, curtain airbag sensor and satellite safing sensor are removed, do not reuse the bolts and nuts of them. Always replace with the specified new bolts and nuts.
- When attaching the steering wheel and steering roll connector, be sure to adjust the steering roll connector.

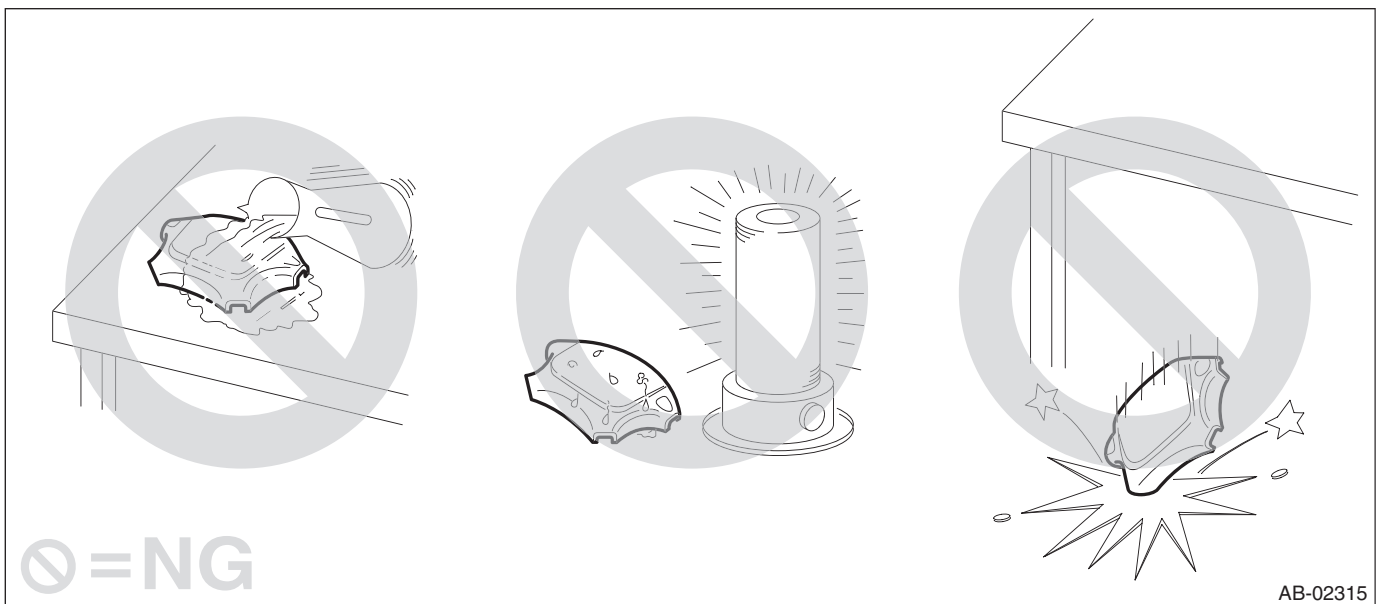
## General Description

### AIRBAG SYSTEM

- After removing each parts of the airbag system, keep them with the pad side facing upward on a dry, clean and flat surface away from heat, light sources, moisture and dust.

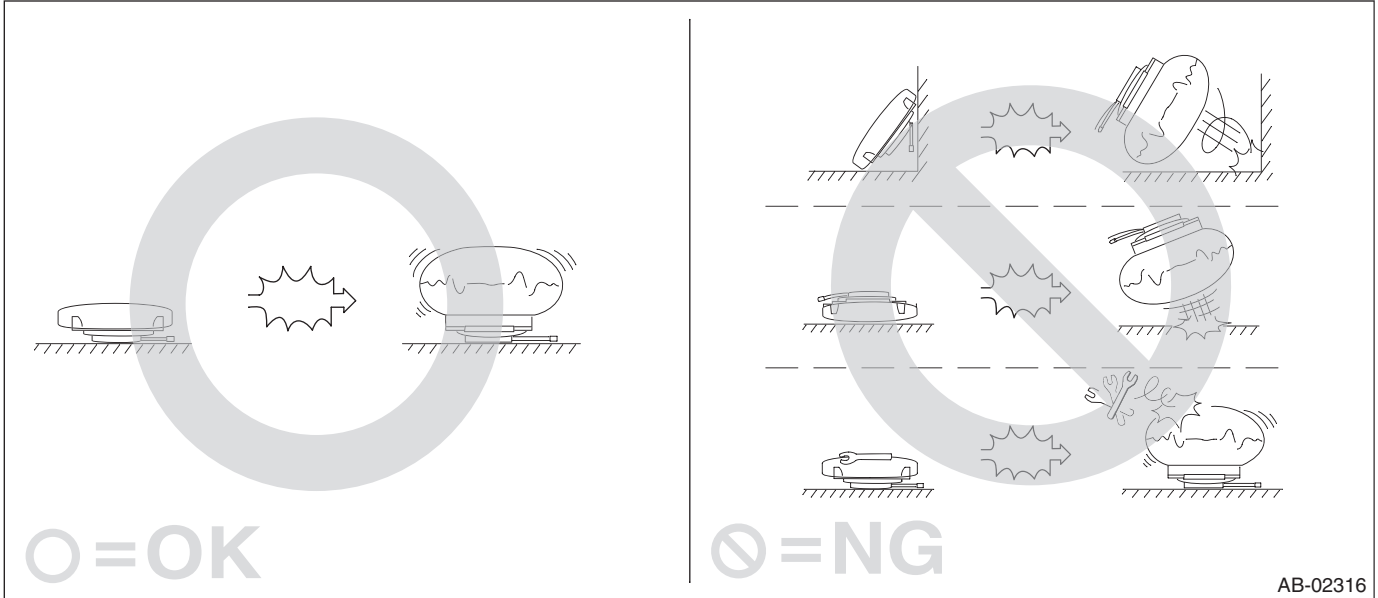


- Do not drop any airbag component, store them under high temperature of 85°C (185°F) or more, or let water, oil or grease get on them; the internal parts may be damaged or the reliability may be greatly lowered.

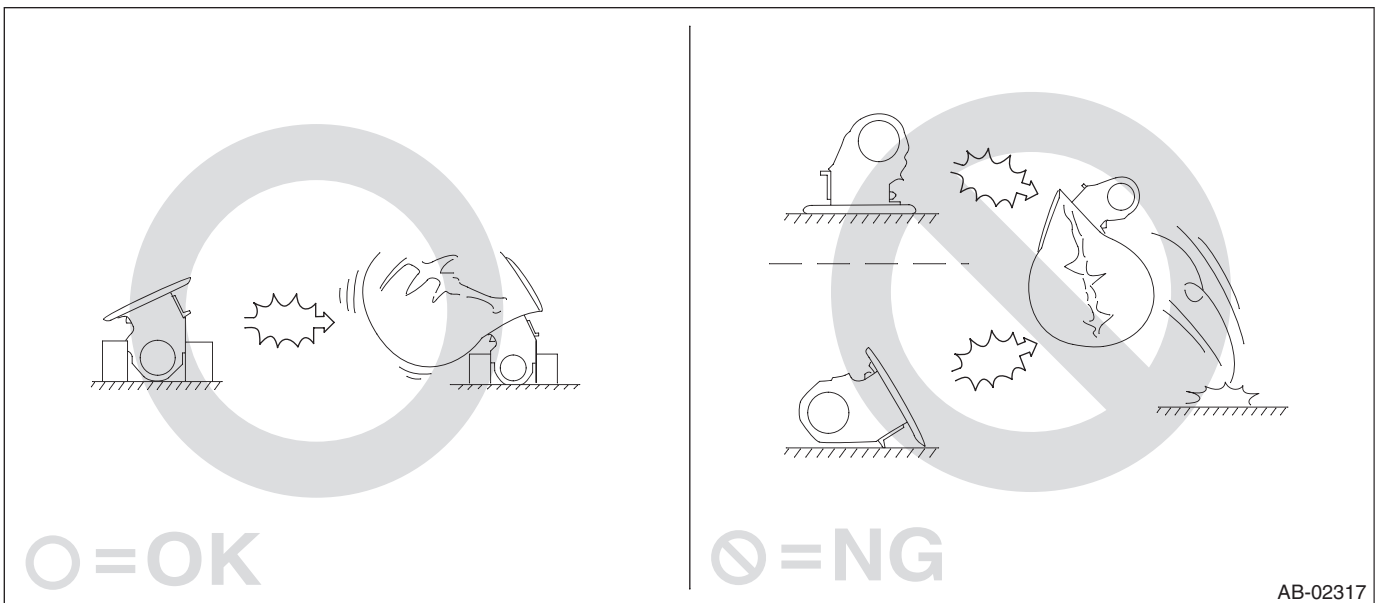


- When storing a removed airbag module, do not place it with the pad side facing downward. Do not place any objects on the airbag module. Do not pile up the airbag module. If the pad of the airbag module is in contact with other objects, it may cause a serious accident if the airbag accidentally operates.

- Driver's airbag module



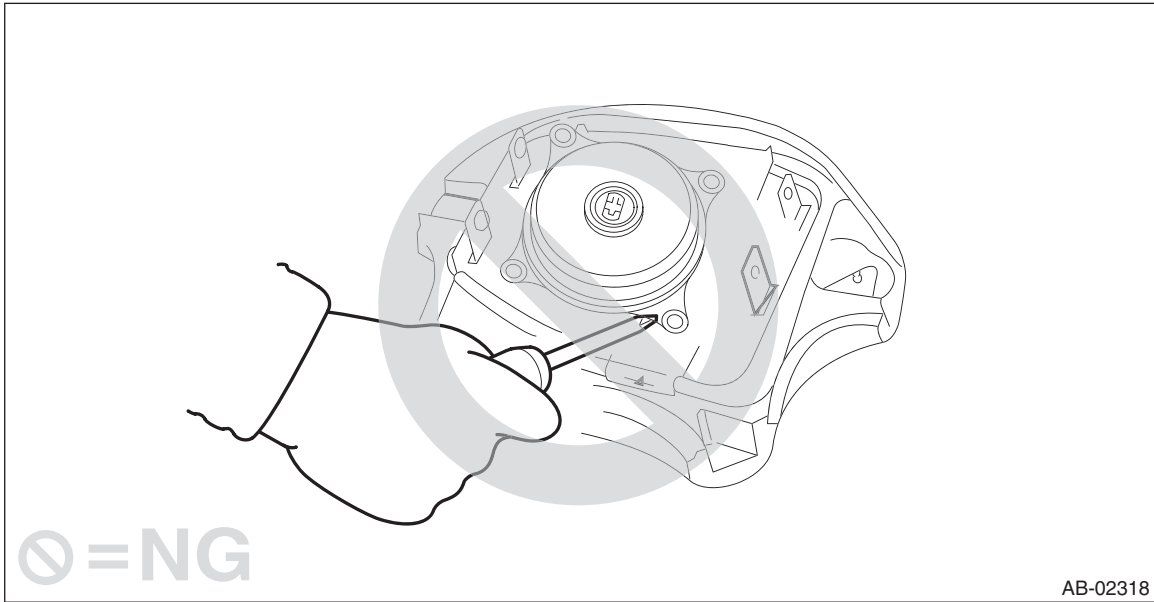
- Passenger's airbag module and side airbag module



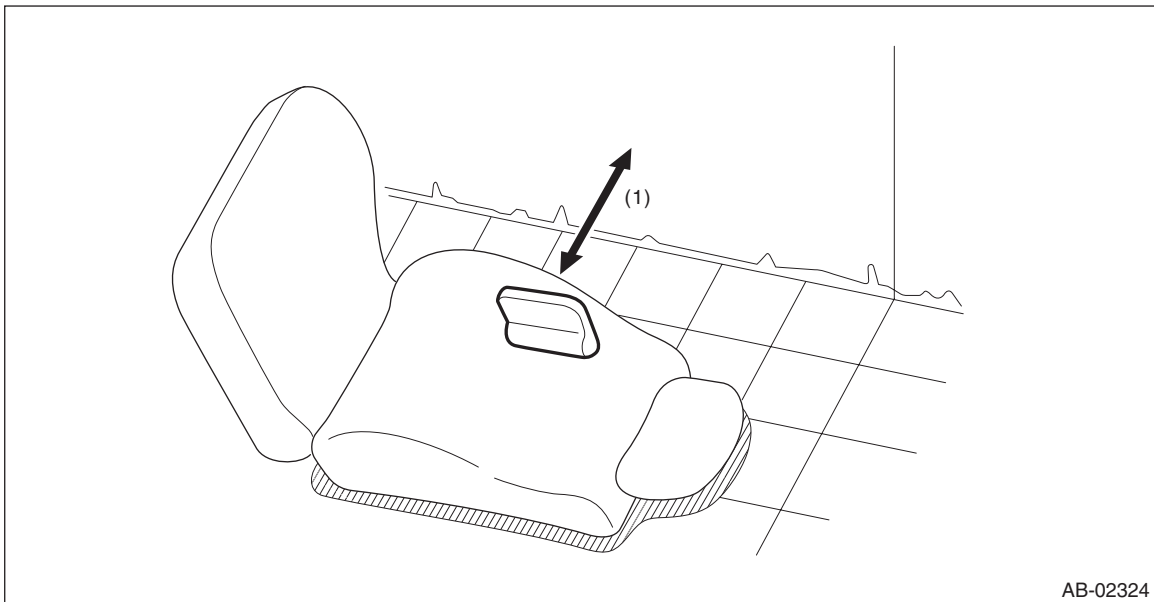
## General Description

### AIRBAG SYSTEM

- Do not disassemble driver's airbag module, knee airbag module, passenger's airbag module, side airbag module, curtain airbag module or pretensioner.



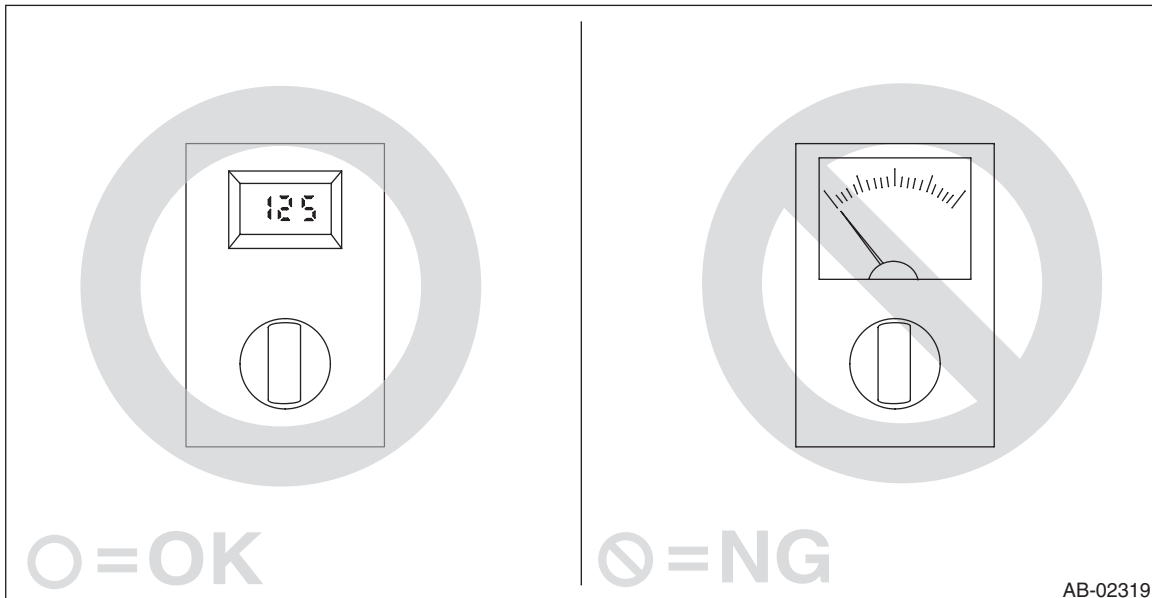
- The removed front seat with airbag module must be kept at least 200 mm (8 in) away from walls and other objects.



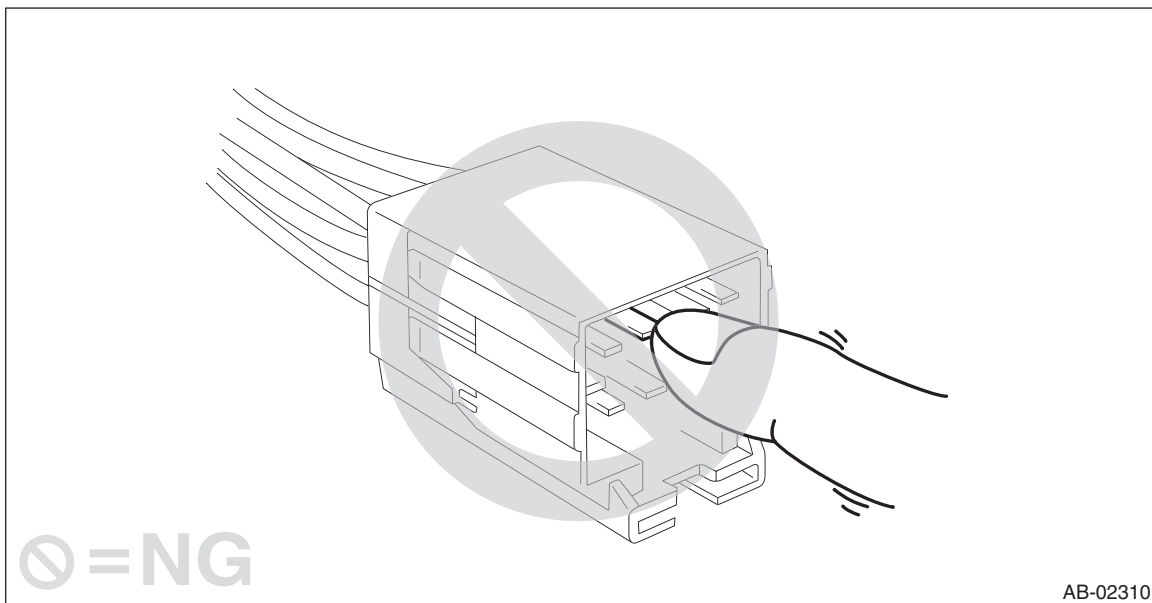
(1) 200 mm (8 in) or more

## 3. BEFORE STARTING TROUBLESHOOTING

- Even if any part must be replaced as the result of troubleshooting, do not use an airbag part or pretensioner part from other vehicles. Always replace the defective parts with new parts.
- When checking the airbag system, be sure to use a digital circuit tester. Use of an analog circuit tester may cause the airbag to activate erroneously due to a minimal current inside tester.



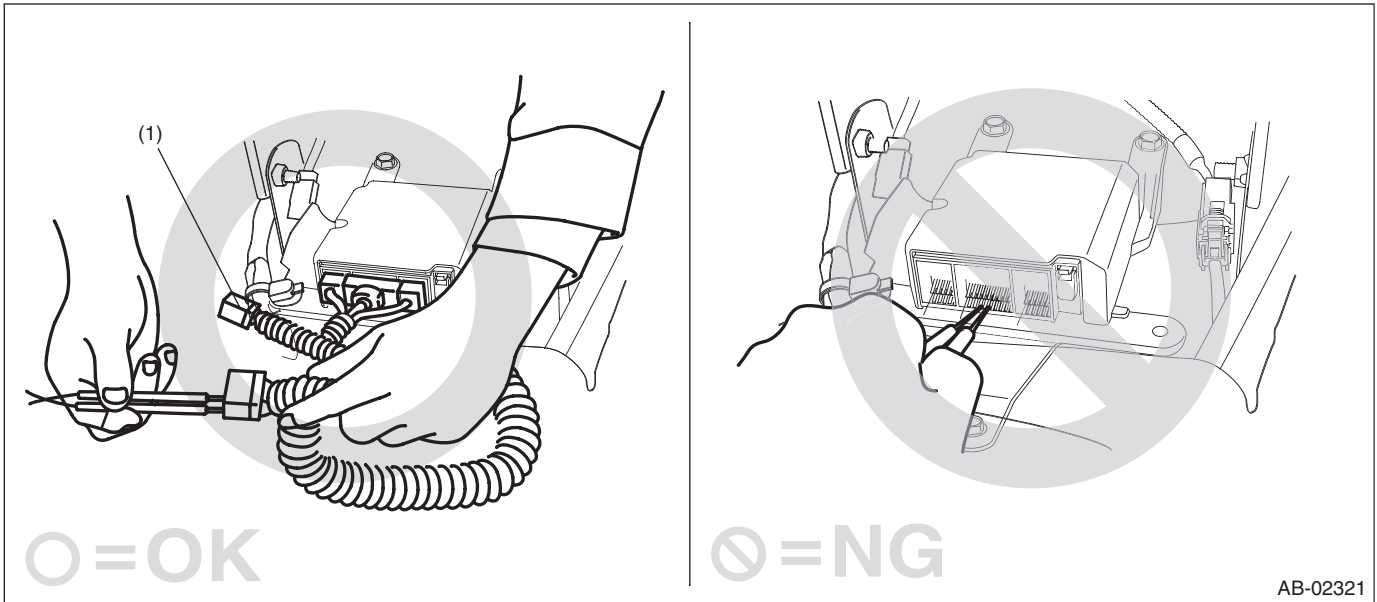
- Do not allow water or oil to come in contact with the connector terminals. Also, do not touch the connector terminals directly.



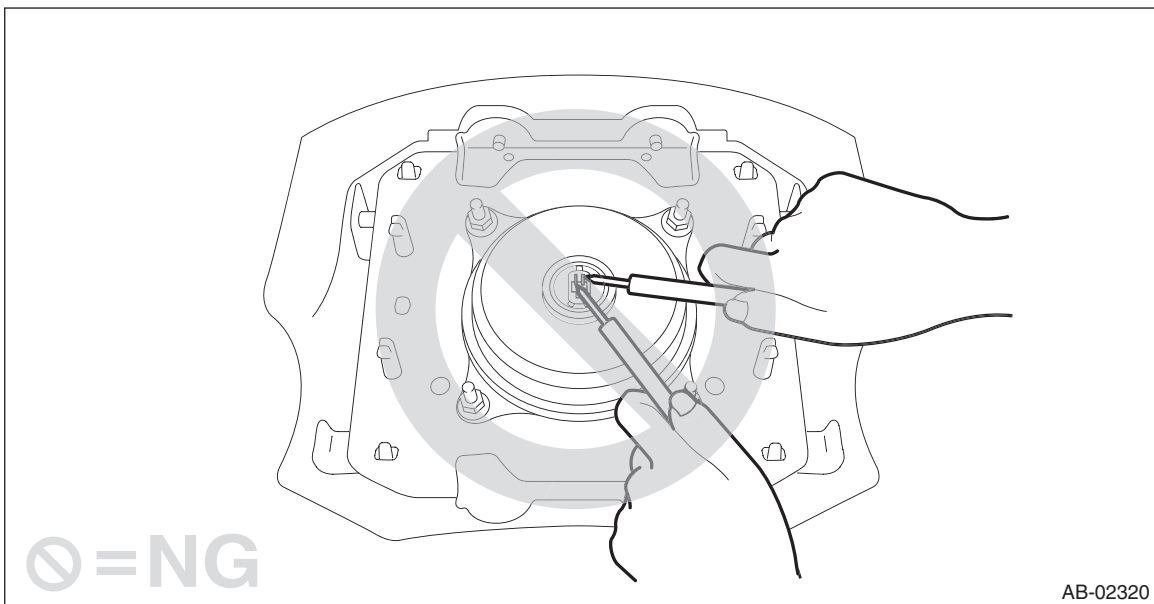
## General Description

### AIRBAG SYSTEM

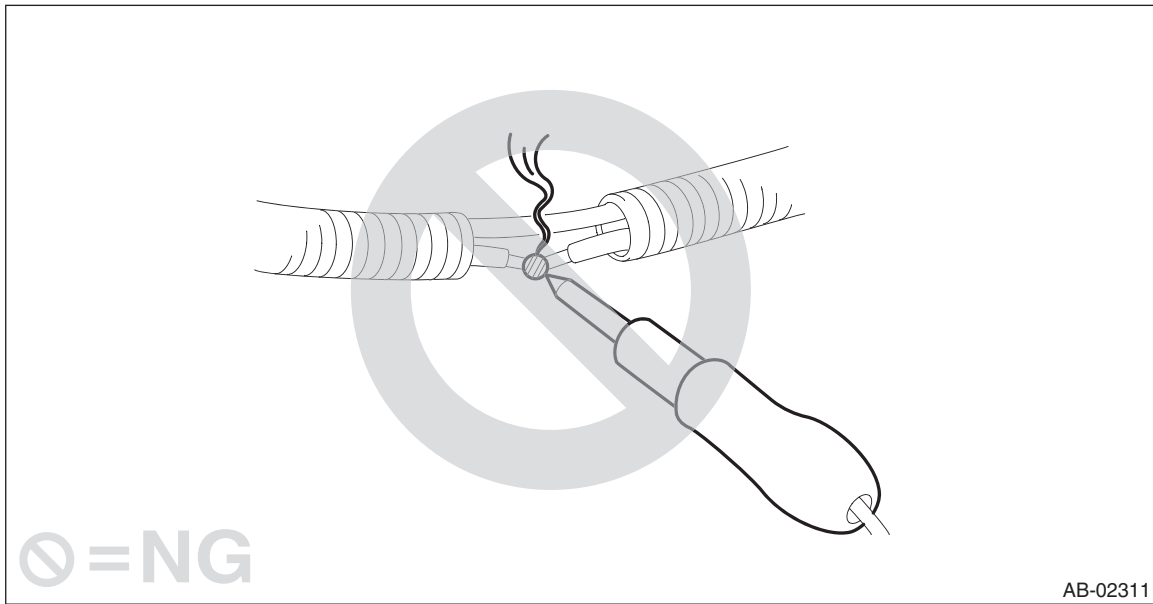
- When checking, use a test harness (1). Damage to connector terminal causes malfunction. Do not directly put the tester probe on airbag connector terminal.



- Do not check continuity of the driver's airbag module, knee airbag module, passenger's airbag module, side airbag module, curtain airbag module or pretensioner.



- If damage, open circuit or rust is found on airbag system wiring harness, do not repair the harness. Always replace the faulty harness with a new genuine part.



## C: PREPARATION TOOL

### 1. SPECIAL TOOL

ILLUSTRATION	TOOL NUMBER	DESCRIPTION	REMARKS
<p style="text-align: center;">ST98299SA000</p>	98299SA000	TEST HARNESS N	Used for unit inspection of steering roll connector.
<p style="text-align: center;">ST98299SA040</p>	98299SA040	TEST HARNESS Q	Used for unit inspection of steering roll connector.

### 2. GENERAL TOOL

TOOL NAME	REMARKS
Steering wheel puller	Used for removing and installing the steering wheel.
TORX® T40	Used for removing and installing the beam COMPL - steering.