

Airbag Connector

AIRBAG SYSTEM

2. Airbag Connector

A: PROCEDURE

1. POWER SUPPLY

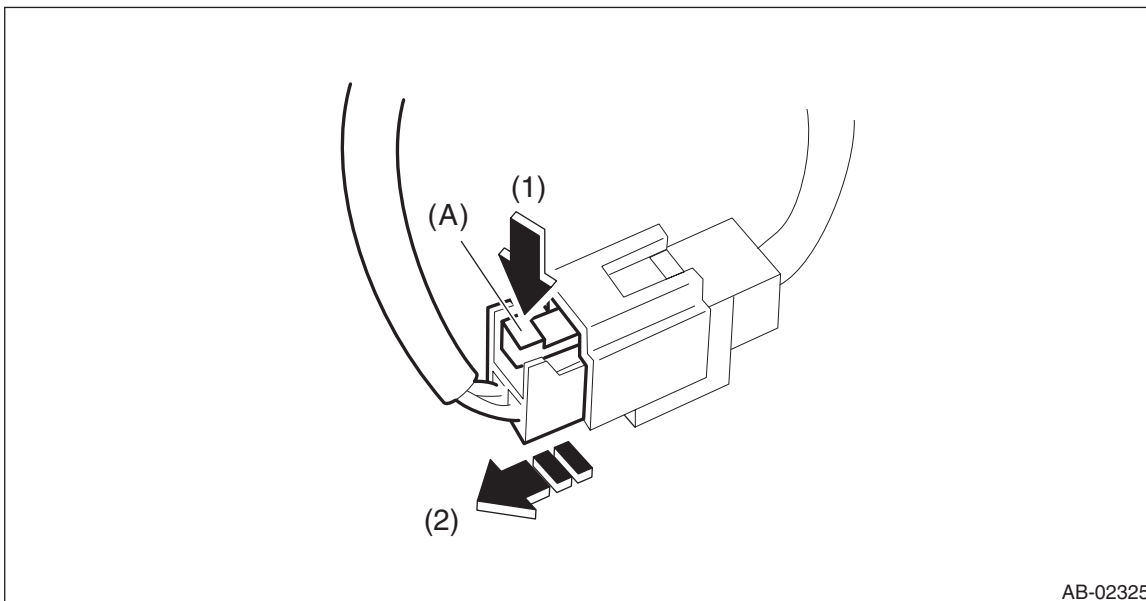
1) How to disconnect:

CAUTION:

When pulling the slide lock or disconnecting connector, be sure to hold the connector, not the harness.

(1) Push the lock (A).

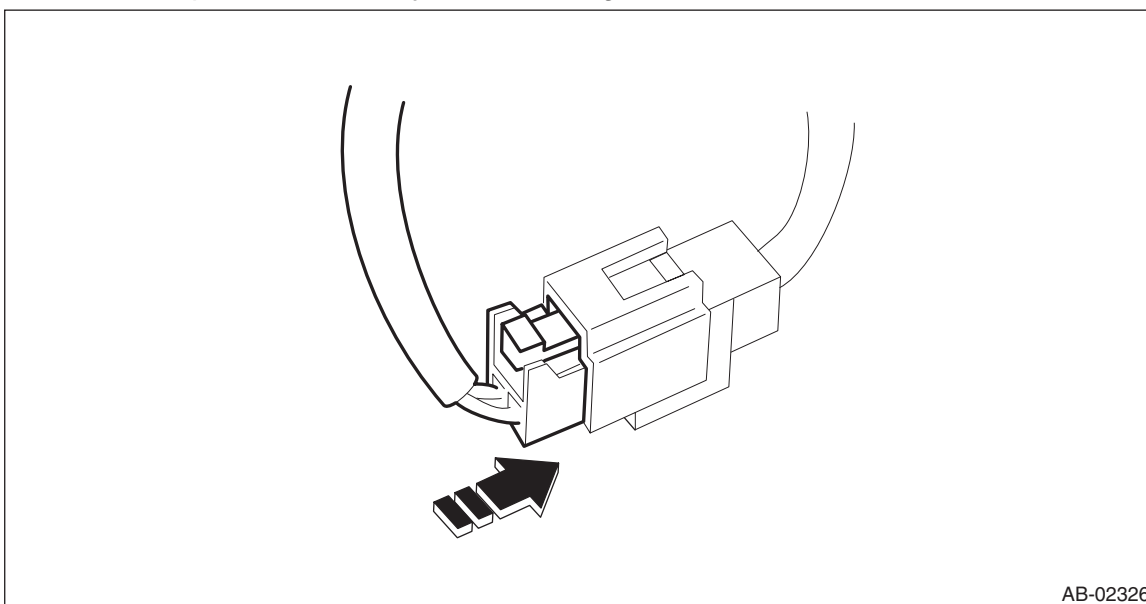
(2) While holding down the lock (A), disconnect the connector.



2) How to connect:

CAUTION:

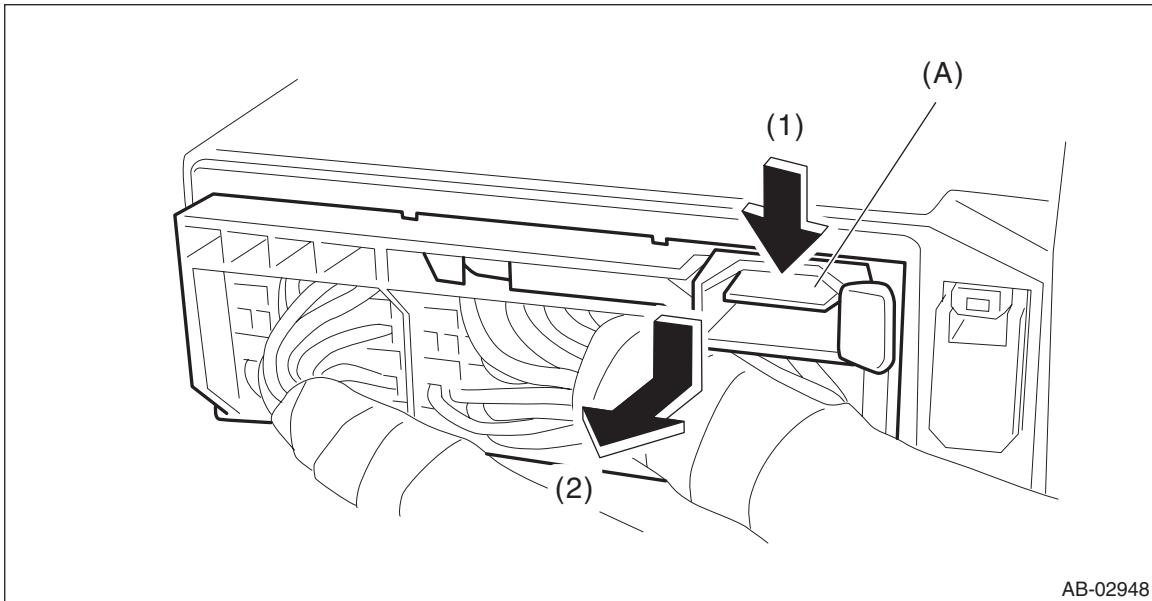
Be sure to insert the connector in until it is locked. Then pull it gently to make sure that it is locked. Holding the connector, push it in securely until a clicking sound is heard.



2. AIRBAG CONTROL MODULE

1) How to disconnect:

- (1) Push the lock lever plate (A).
- (2) While holding down the lock lever plate (A), pull the lever toward you.



AB-02948

2) How to connect:

CAUTION:

Be sure to insert the connector in until it is locked. Then pull it gently to make sure that it is locked.
Insert the connector and push the lock lever in securely.

Airbag Connector

AIRBAG SYSTEM

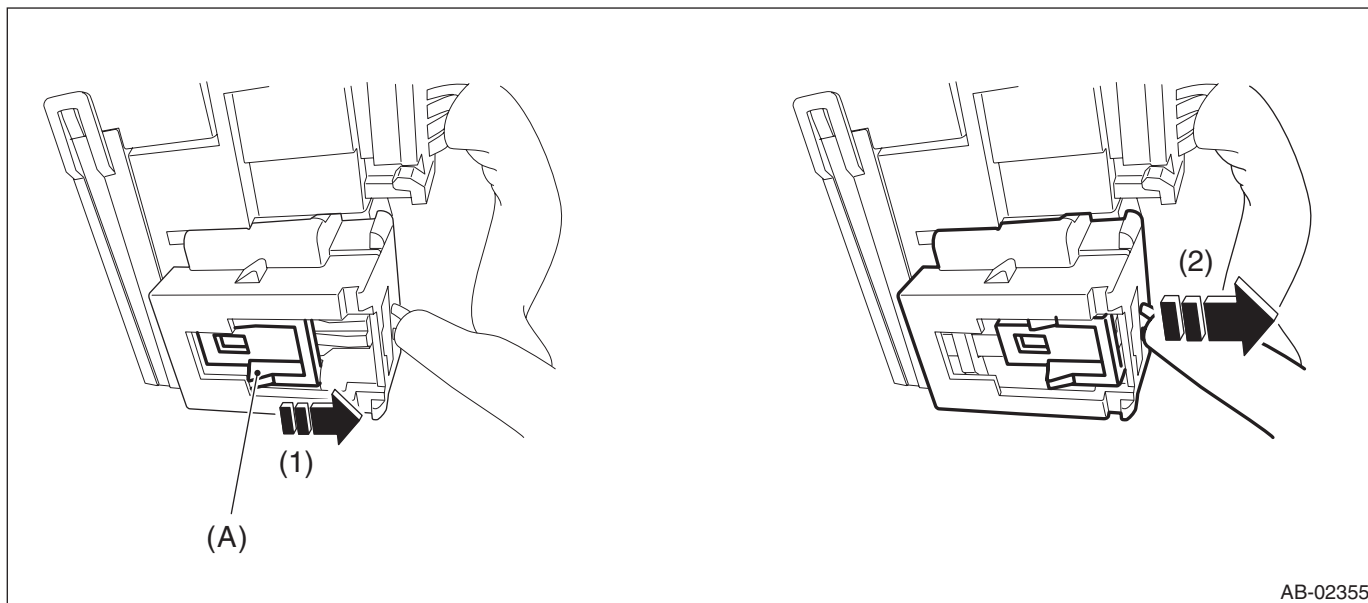
3. DRIVER'S AIRBAG MODULE (ROLL CONNECTOR)

1) How to disconnect:

CAUTION:

When pulling the slide lock or disconnecting connector, be sure to hold the connector, not the harness.

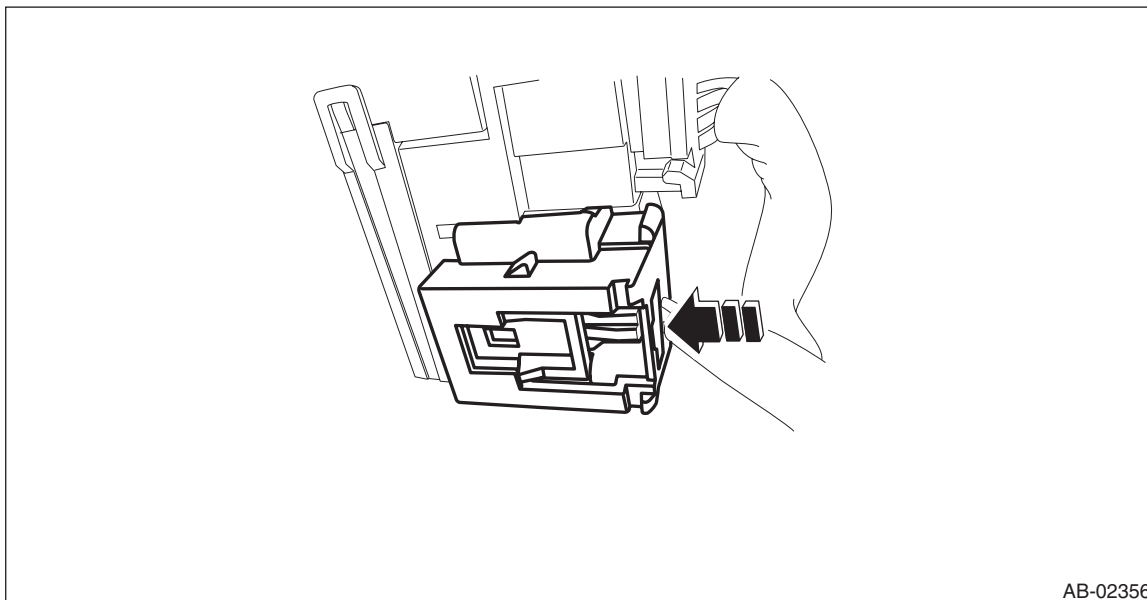
- (1) Pull the slide lock (A) in the direction of arrow.
- (2) With the slide lock pulled, disconnect the connector.



2) How to connect:

CAUTION:

Be sure to insert the connector in until it is locked. Then pull it gently to make sure that it is locked. Holding the connector, push it in securely until a clicking sound is heard.



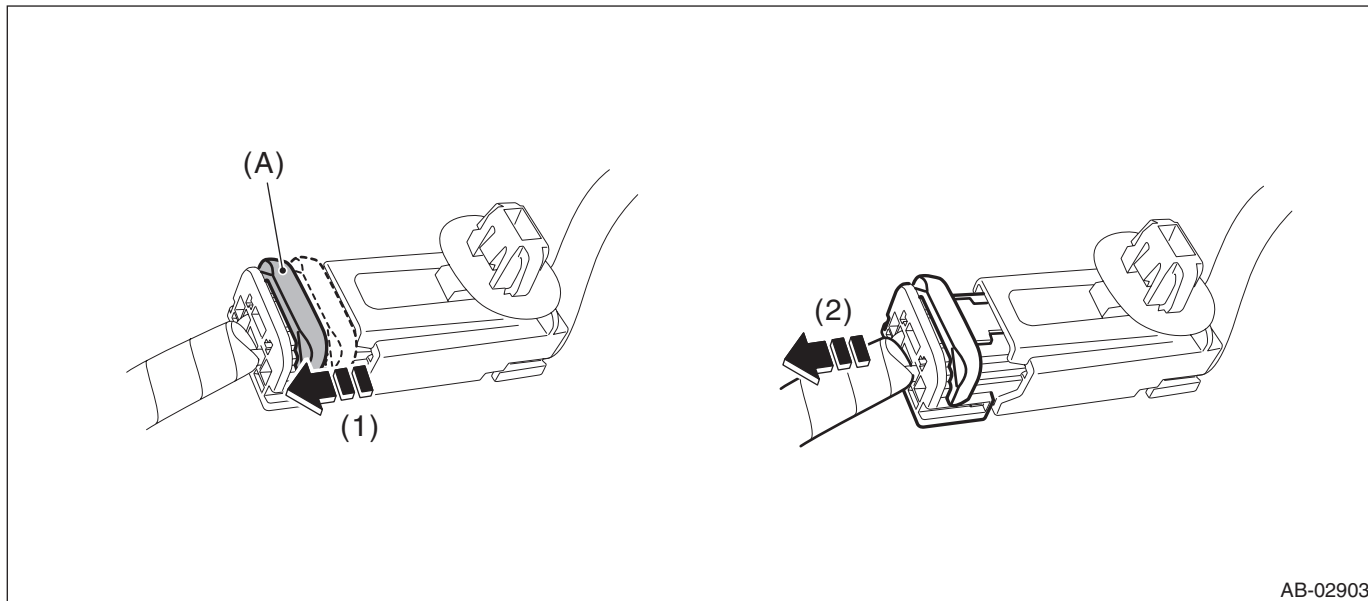
4. PASSENGER'S AIRBAG MODULE

1) How to disconnect:

CAUTION:

When pulling the slide lock or disconnecting connector, be sure to hold the connector, not the harness.

- (1) Pull the slide lock (A) in the direction of arrow.
- (2) With the slide lock pulled, disconnect the connector.

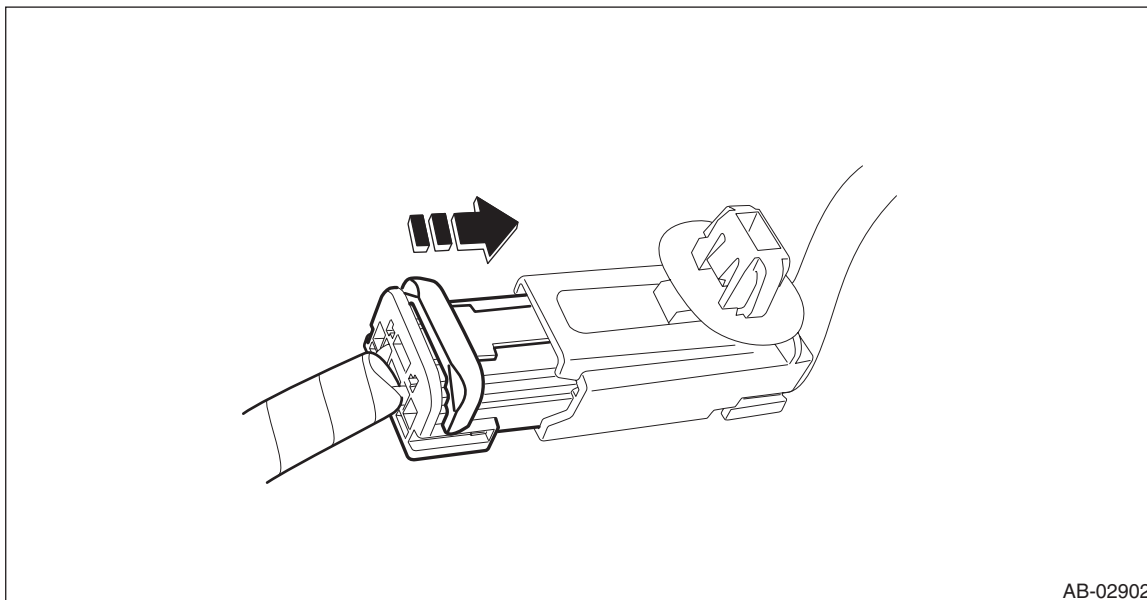


AB-02903

2) How to connect:

CAUTION:

Be sure to insert the connector in until it is locked. Then pull it gently to make sure that it is locked. Holding the connector, push it in securely until a clicking sound is heard.



AB-02902

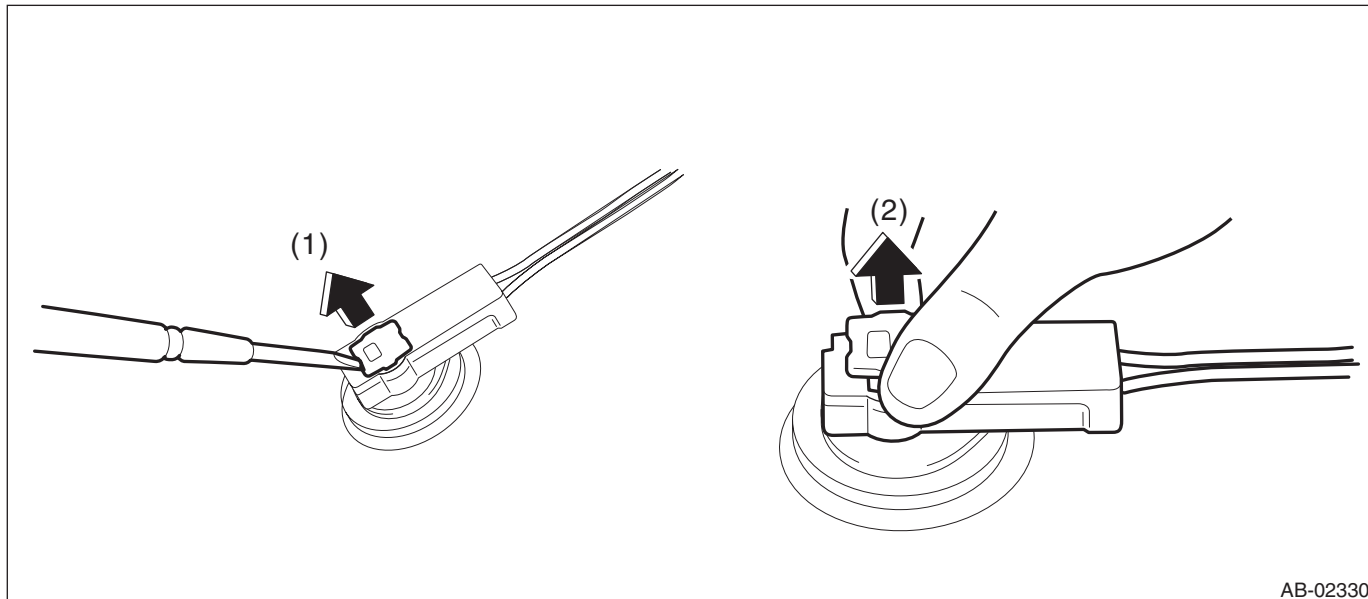
Airbag Connector

AIRBAG SYSTEM

5. DRIVER'S AIRBAG MODULE, CURTAIN AIRBAG MODULE & PRETENSIONER

1) How to disconnect:

- (1) Using a flat tip screwdriver, pry the push lock upward to unlock.
- (2) Pull the connector to disconnect from the airbag module assembly or the retractor assembly.

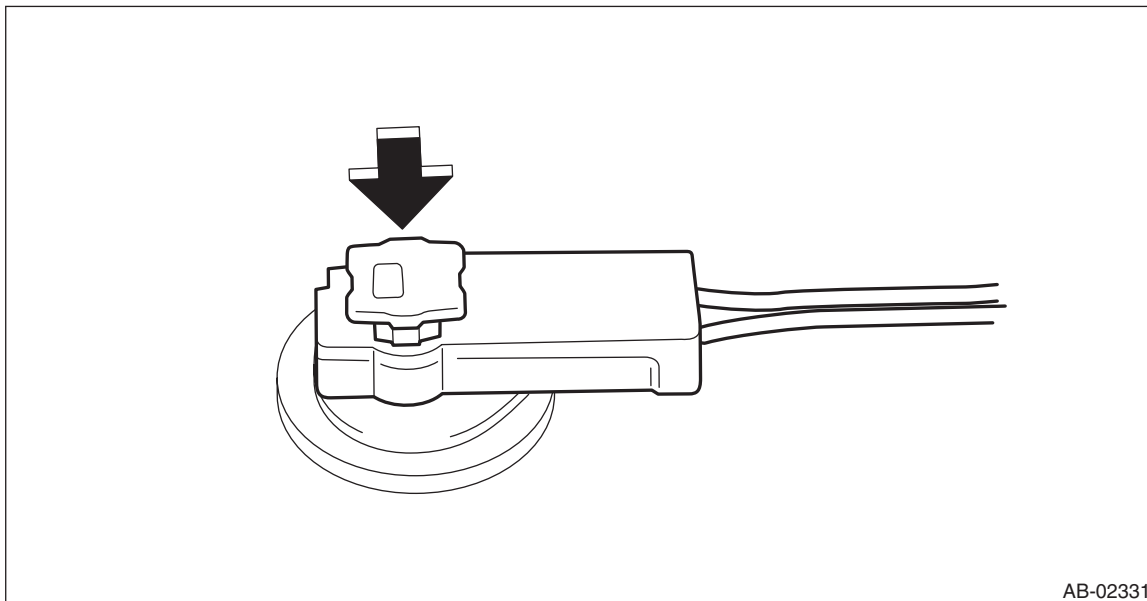


AB-02330

2) How to connect:

CAUTION:

- Be sure to insert the connector in until it is locked.
- Press in the push lock securely. Then pull it gently to make sure that it is locked.



AB-02331

Connect the connector in the reverse order of disconnecting. At this time, be sure to insert until a clicking sound is heard.

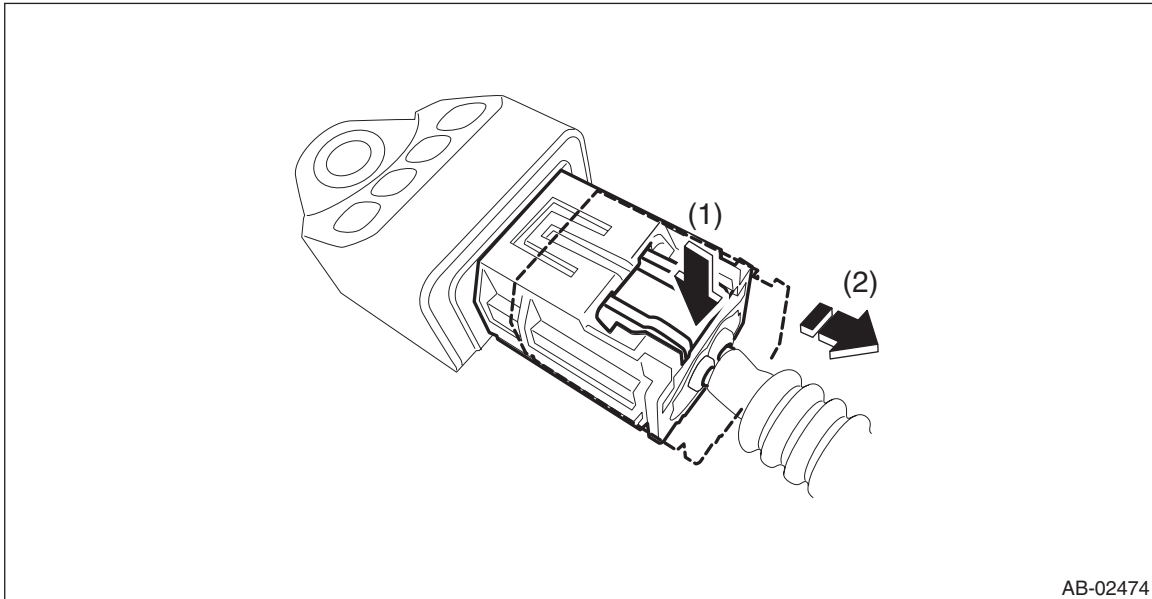
6. FRONT SUB SENSOR

1) How to disconnect:

CAUTION:

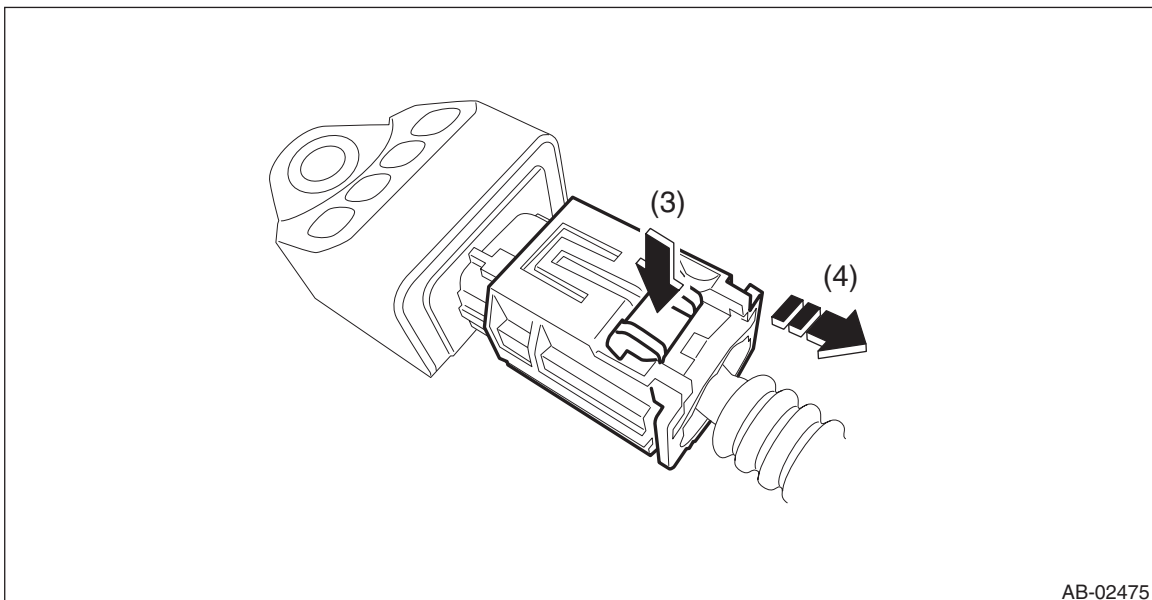
When pulling the slide lock or disconnecting connector, be sure to hold the connector, not the harness.

- (1) Push the lock arm.
- (2) Holding outer part, pull it one step in the direction of arrow.



AB-02474

- (3) Push the lock arm again.
- (4) Holding outer part, pull it in the direction of arrow to disconnect the connector.



AB-02475

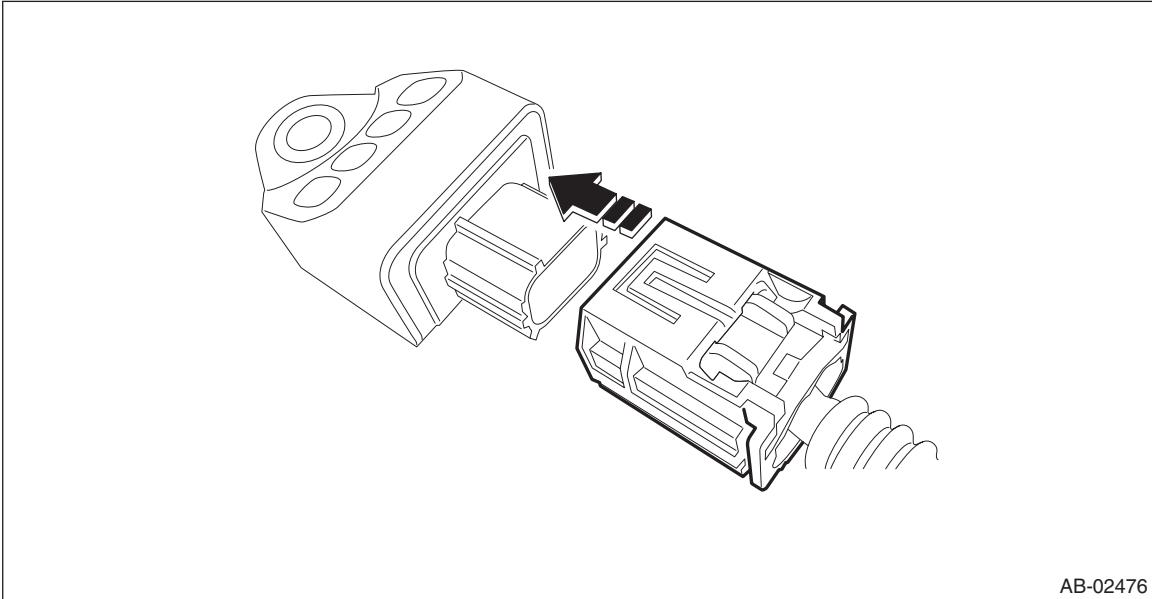
Airbag Connector

AIRBAG SYSTEM

2) How to connect:

CAUTION:

Be sure to insert the connector in until it is locked. Then pull it gently to make sure that it is locked.
Holding the connector, push it in securely until a clicking sound is heard.



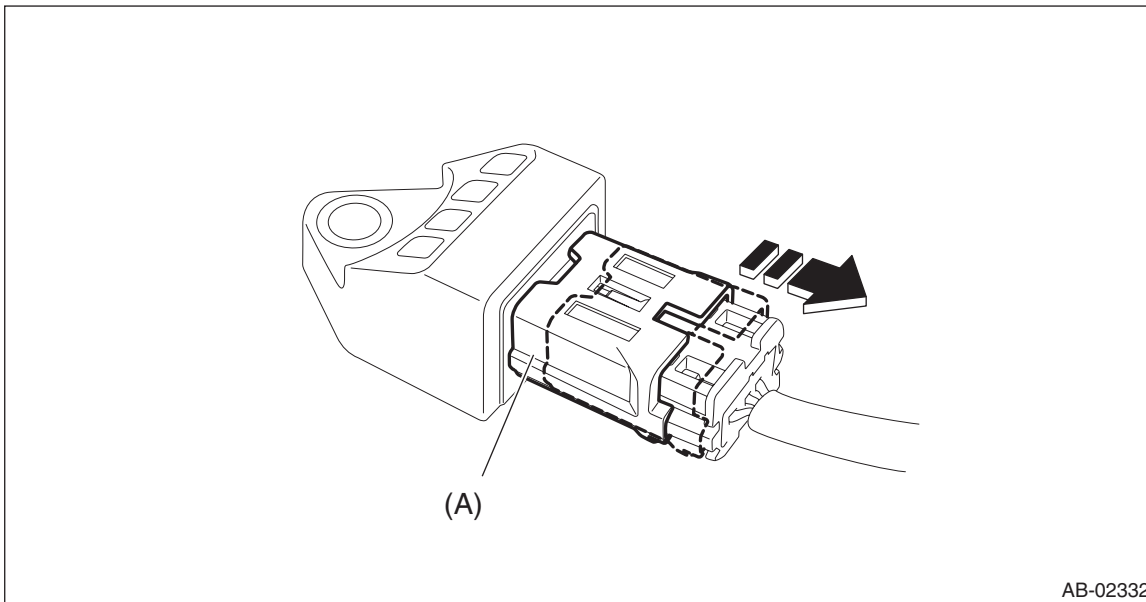
7. FRONT DOOR IMPACT SENSOR AND SATELLITE SAFING SENSOR

1) How to disconnect:

CAUTION:

When pulling the slide lock or disconnecting connector, be sure to hold the connector, not the harness.

Holding outer part (A), pull it in the direction of arrow.

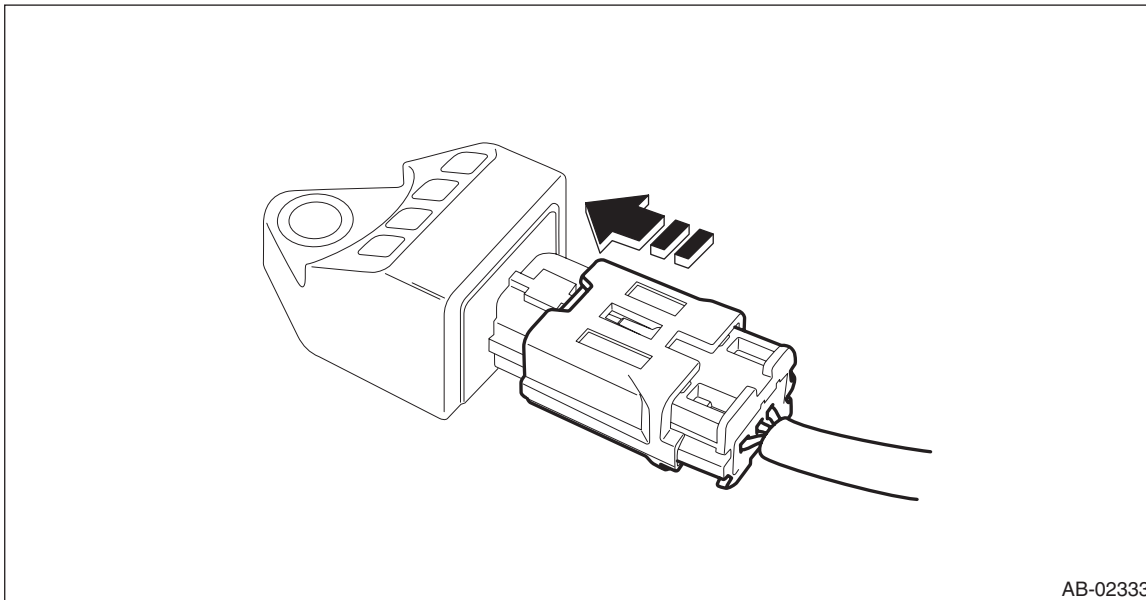


2) How to connect:

CAUTION:

- Do not touch the outer side section or else the outer side (A) will move back.
- Be sure to insert the connector in until it is locked. Then pull it gently to make sure that it is locked.

Holding the connector, push it in securely until a clicking sound is heard.



Airbag Connector

AIRBAG SYSTEM

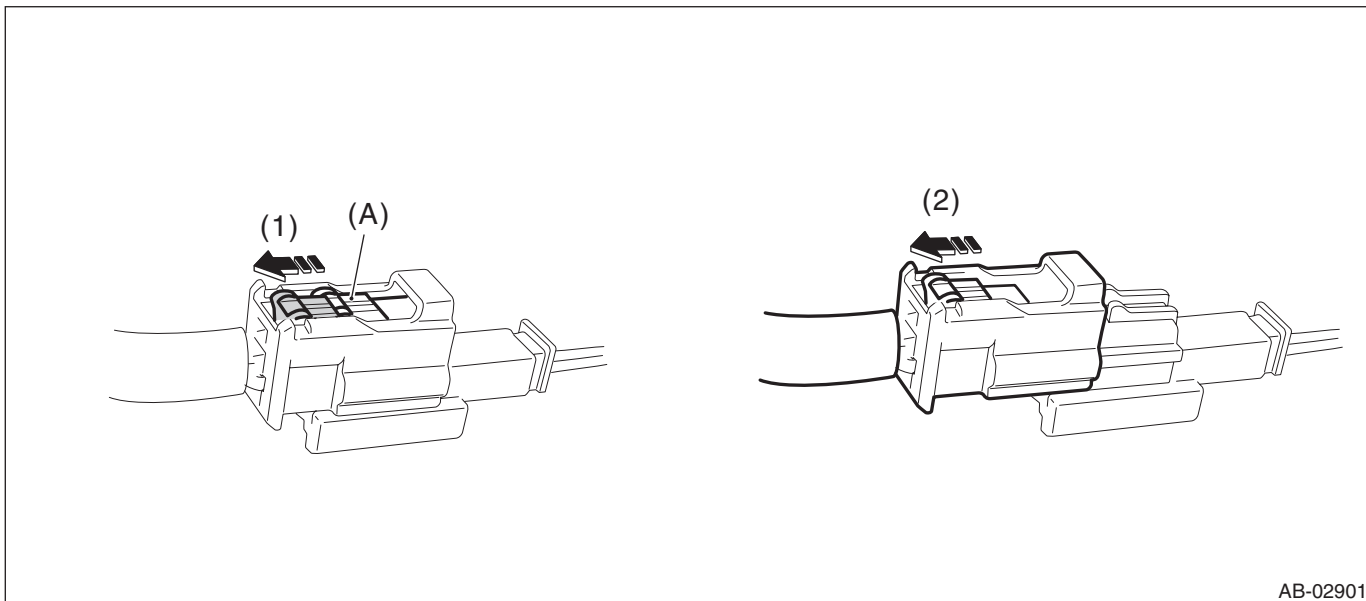
8. FRONT DOOR IMPACT SENSOR (BETWEEN AIRBAG REAR HARNESS AND DOOR HARNESS)

1) How to disconnect:

CAUTION:

When pulling the slide lock or disconnecting connector, be sure to hold the connector, not the harness.

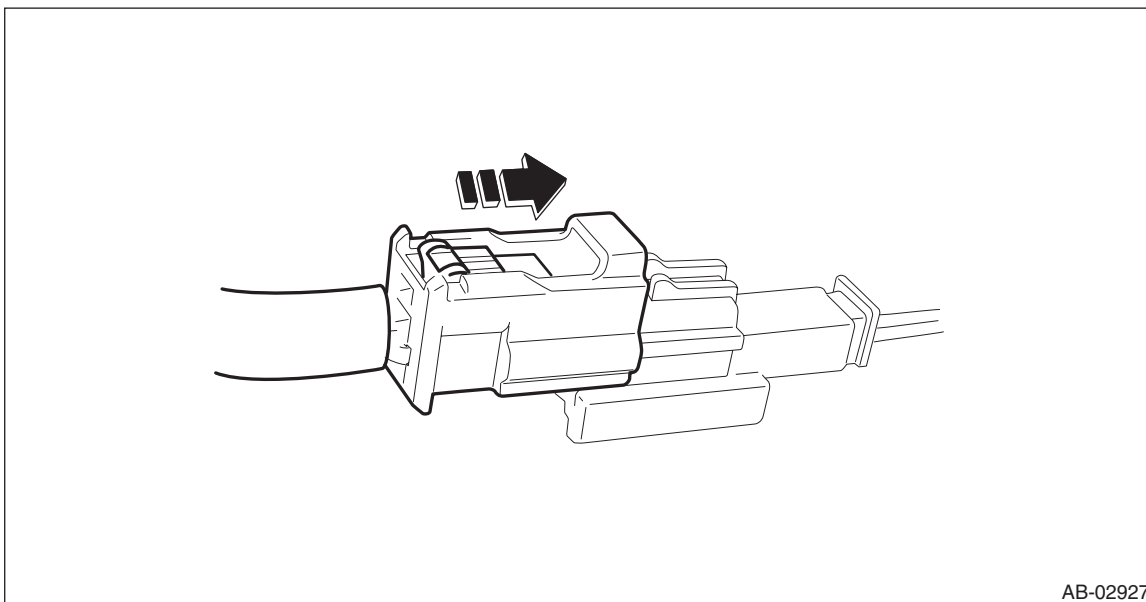
- (1) Pull the slide lock (A) in the direction of arrow.
- (2) With the slide lock pulled, disconnect the connector.



2) How to connect:

CAUTION:

- Outer side (A) moves back, and so do not touch the outer part.
 - Be sure to insert the connector in until it is locked. Then pull it gently to make sure that it is locked.
- Holding the connector, push it in securely until a clicking sound is heard.



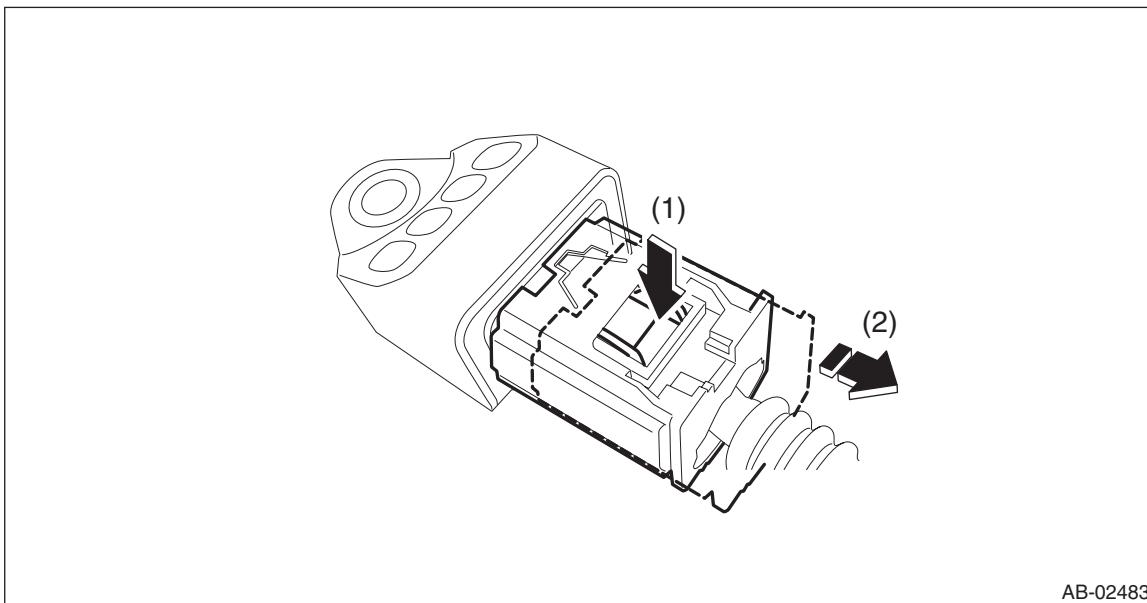
9. SIDE AIRBAG SENSOR AND CURTAIN AIRBAG SENSOR

1) How to disconnect:

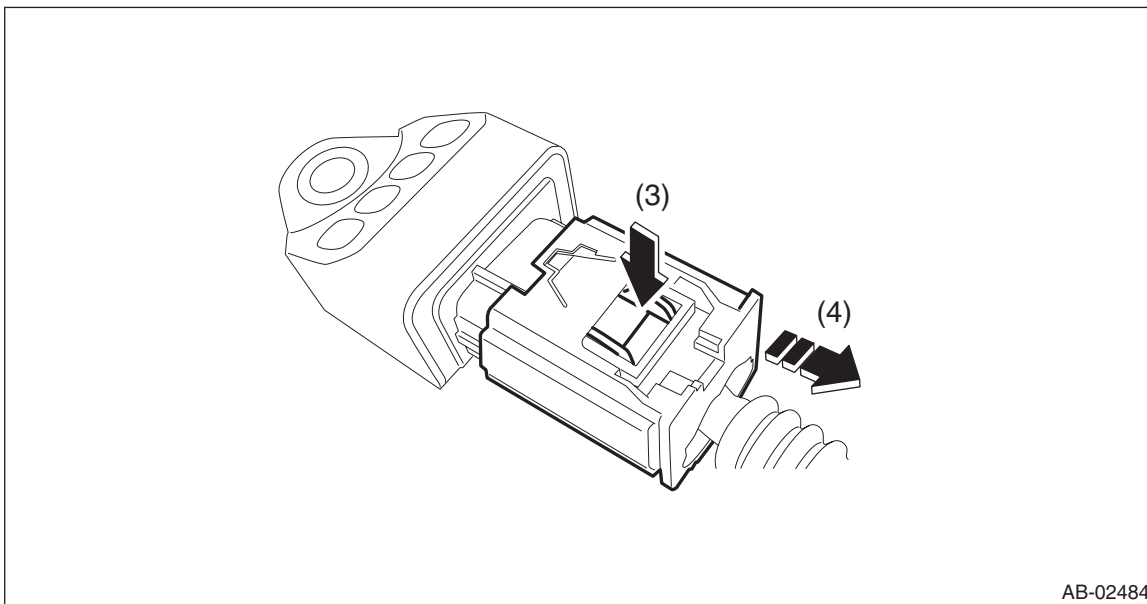
CAUTION:

When pulling the slide lock or disconnecting connector, be sure to hold the connector, not the harness.

- (1) Push the lock arm.
- (2) Holding outer part, pull it one step in the direction of arrow.



- (3) Push the lock arm again.
- (4) Holding outer part, pull it in the direction of arrow to disconnect the connector.



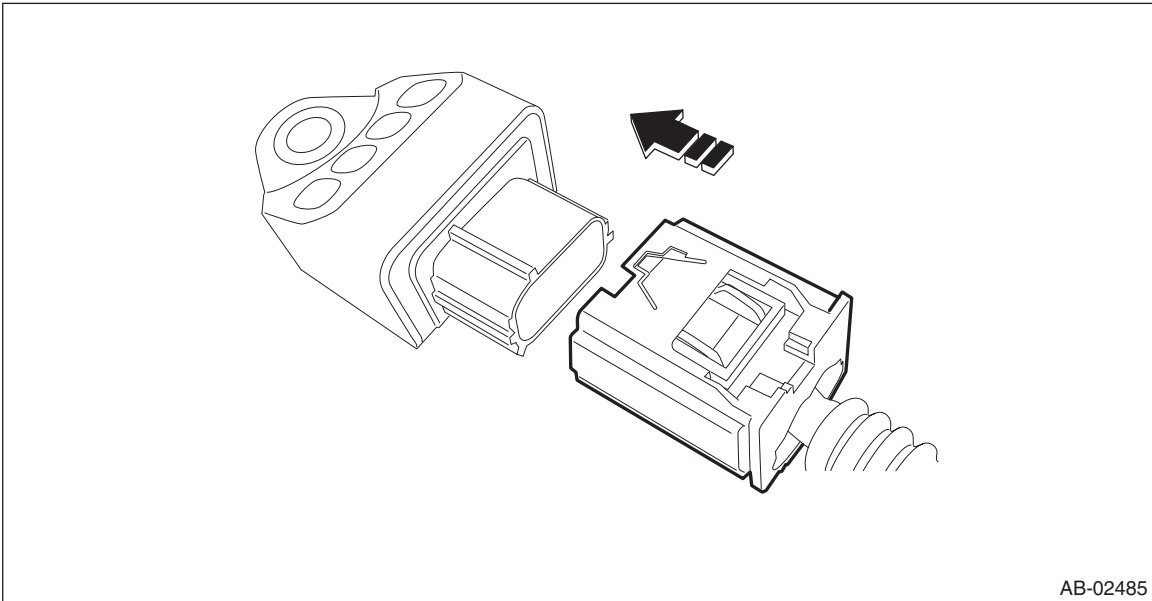
Airbag Connector

AIRBAG SYSTEM

2) How to connect:

CAUTION:

Be sure to insert the connector in until it is locked. Then pull it gently to make sure that it is locked.
Holding the connector, push it in securely until a clicking sound is heard.



AB-02485

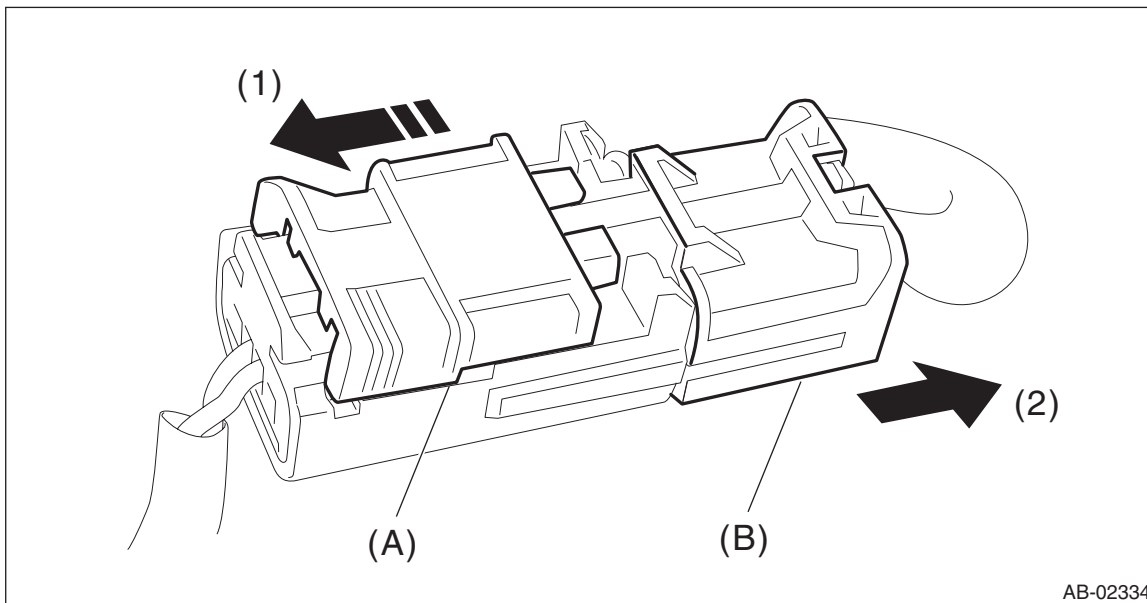
10. SIDE AIRBAG MODULE

1) How to disconnect:

CAUTION:

When pulling the slide lock or disconnecting connector, be sure to hold the connector, not the harness.

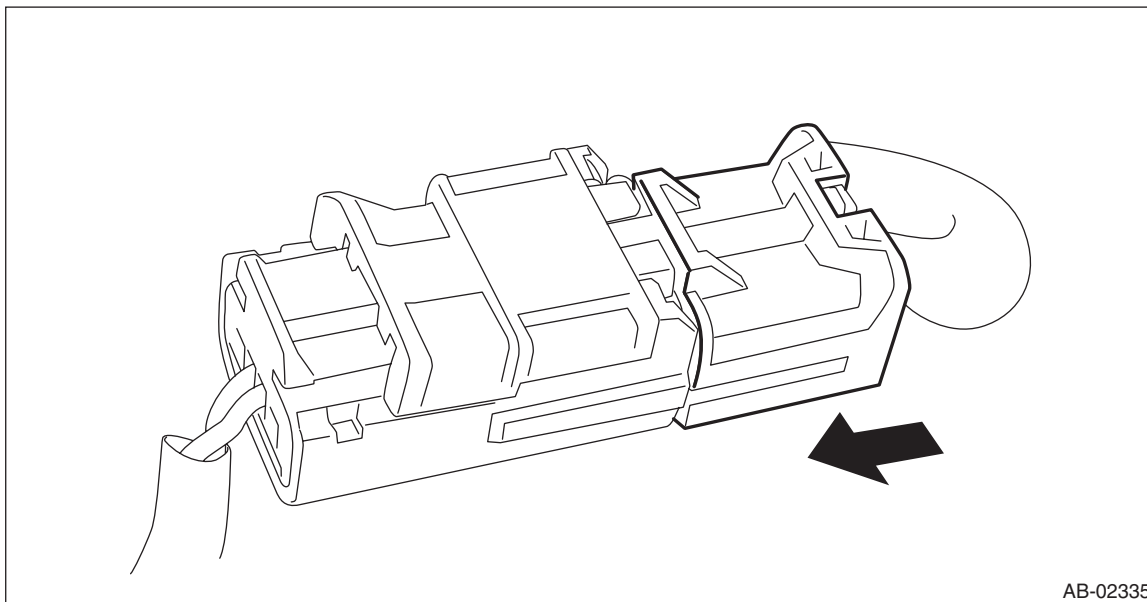
- (1) Move the slide lock (A) in the direction of arrow and hold it.
- (2) While holding the slide lock (A) in place, pull the connector (B) to the direction of arrow.



2) How to connect:

CAUTION:

Be sure to insert the connector in until it is locked. Then pull it gently to make sure that it is locked. Holding the connector, push it in securely until a clicking sound is heard.



Airbag Connector

AIRBAG SYSTEM

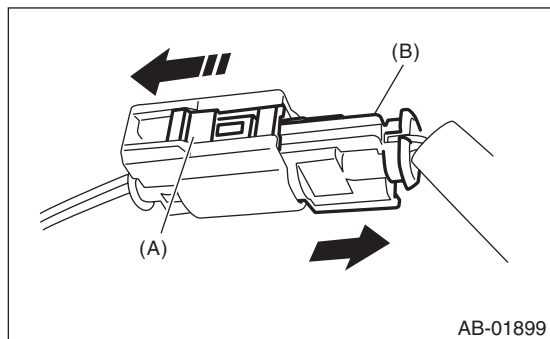
11. BUCKLE SWITCH RH

1) How to disconnect:

CAUTION:

When pulling the slide lock or disconnecting connector, be sure to hold the connector, not the harness.

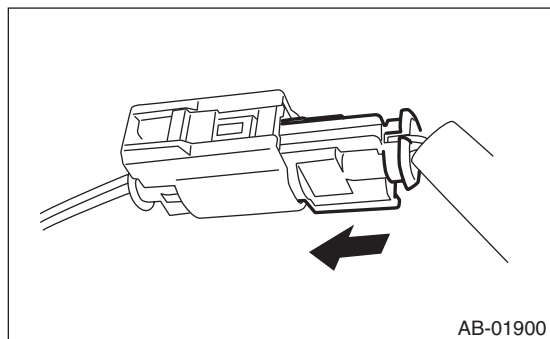
- (1) Move the slide lock (A) in the direction of arrow and hold it.
- (2) While holding the slide lock (A), pull the connector (B) in the direction of arrow.



2) How to connect:

CAUTION:

Be sure to insert the connector in until it is locked. Then pull it gently to make sure that it is locked. Holding the connector, push it in securely until a clicking sound is heard.



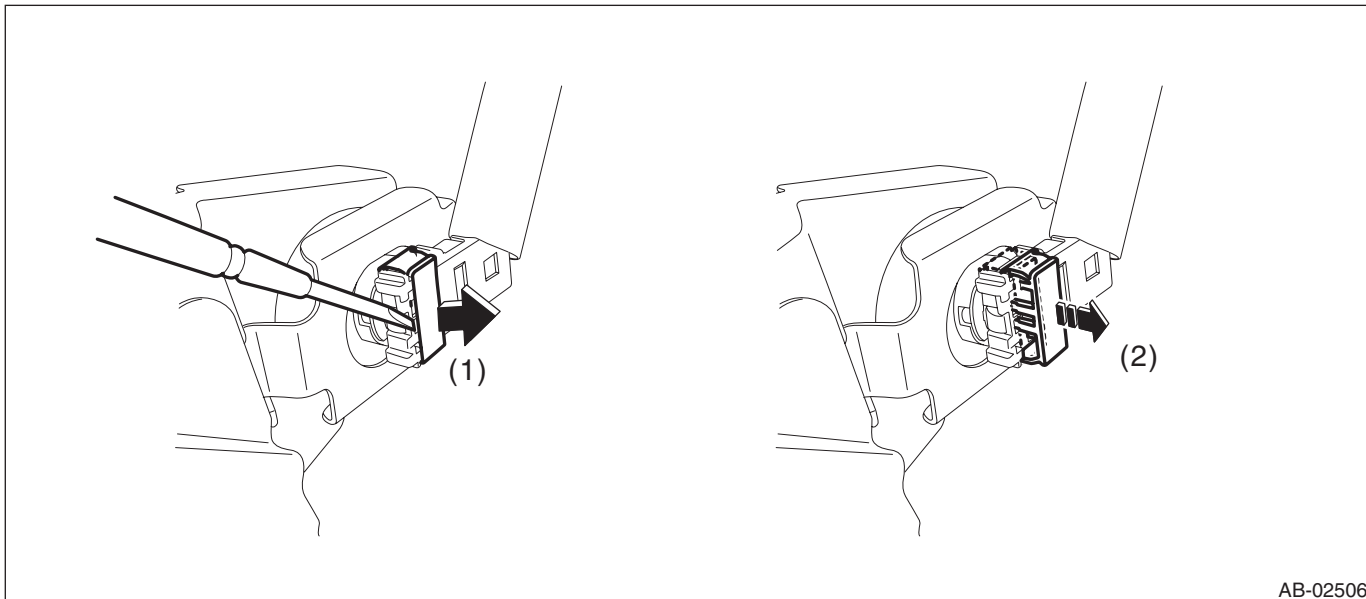
12. OCCUPANT DETECTION SYSTEM (BETWEEN AIRBAG REAR HARNESS AND SEAT HARNESS)

Refer to "OCCUPANT DETECTION SYSTEM" section. <Ref. to OD(diag)-9, OCCUPANT DETECTION SYSTEM (BETWEEN AIRBAG REAR HARNESS AND SEAT HARNESS), PROCEDURE, Airbag Connector.>

13.KNEE AIRBAG MODULE

1) How to disconnect:

- (1) Using a flat tip screwdriver, pry the push lock upward to unlock.
- (2) Pull the connector to disconnect from the airbag module assembly.

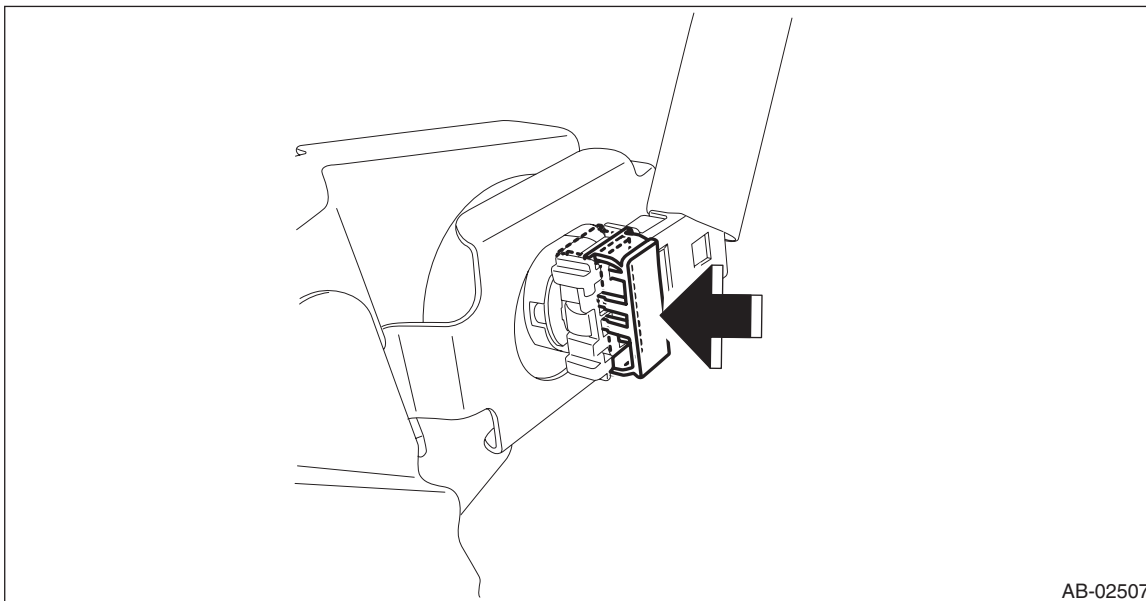


AB-02506

2) How to connect:

CAUTION:

- Be sure to insert the connector in until it is locked.
- Press in the push lock securely. Then pull it gently to make sure that it is locked.



AB-02507

Connect the connector in the reverse order of disconnecting. At this time, be sure to insert until a clicking sound is heard.