

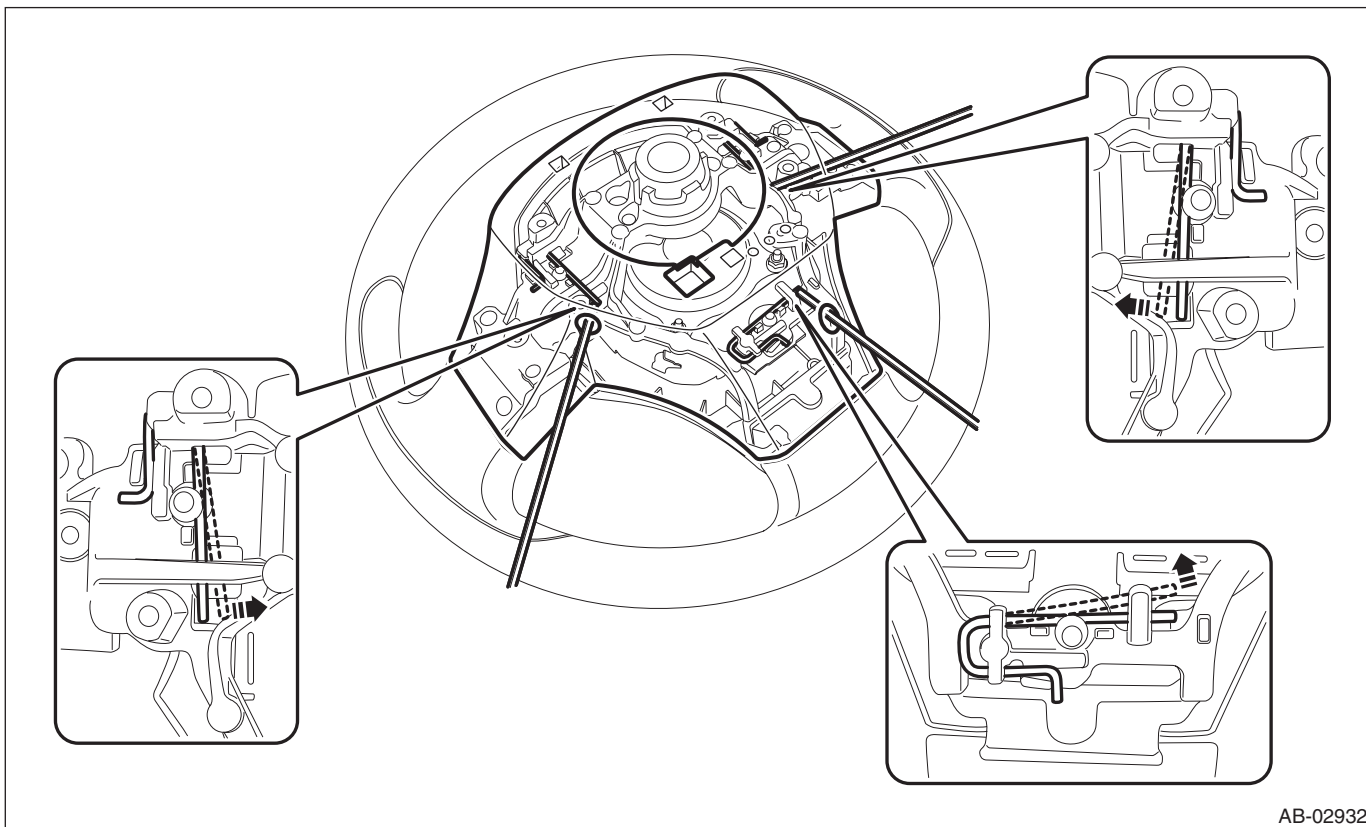
4. Driver's Airbag Module

A: REMOVAL

CAUTION:

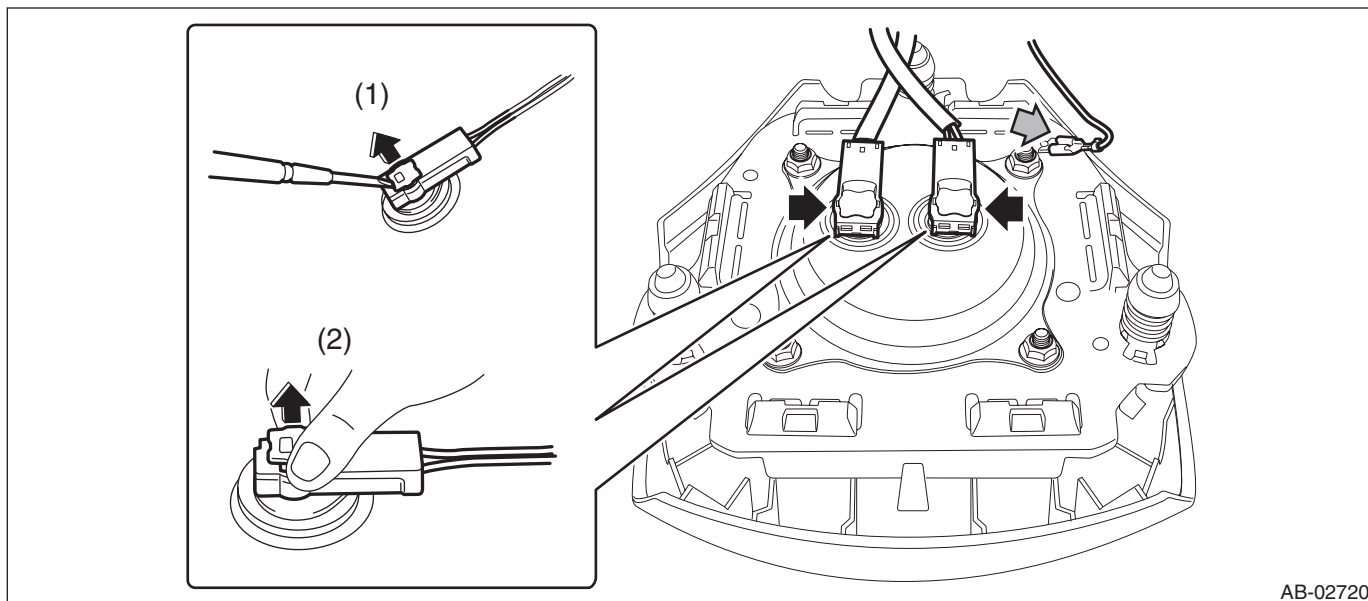
Refer to "CAUTION" of "General Description" before handling the airbag module. <Ref. to AB-11, CAUTION, General Description.>

- 1) Position the front wheels straight ahead. (After moving a vehicle 5 m (16 ft) or more with front wheels positioned straight ahead, make sure that the vehicle moves straight ahead.)
- 2) Turn the ignition switch to OFF.
- 3) Disconnect the ground cable from battery and wait for at least 60 seconds before starting work.
- 4) Remove the driver's airbag module.
 - (1) Using a hexagon wrench wrapped with protective tape, push in the snap pins to disengage the locks (3 places).



AB-02932

(2) Disconnect the horn harness and airbag connector, and remove the driver's airbag module. <Ref. to AB-24, DRIVER'S AIRBAG MODULE, CURTAIN AIRBAG MODULE & PRETENSIONER, PROCEDURE, Airbag Connector.>



AB-02720

B: INSTALLATION

CAUTION:

- Refer to “CAUTION” of “General Description” before handling the airbag module. <Ref. to AB-11, CAUTION, General Description.>

- Do not allow harness and connectors to interfere or get tangled up with other parts.

1) Before installation, inspect the following items and replace any faulty part with a new one.

- Airbag module is cracked or deformed.
- Harness and/or connector is cracked, deformed or open.
- Harness wire is exposed.
- The steering wheel is in the way, making it difficult to install the airbag module.
- The clearance between the driver's airbag module and steering wheel is not constant.

2) Install each part in the reverse order of removal.