

6. Passenger's Airbag Module

A: REMOVAL

CAUTION:

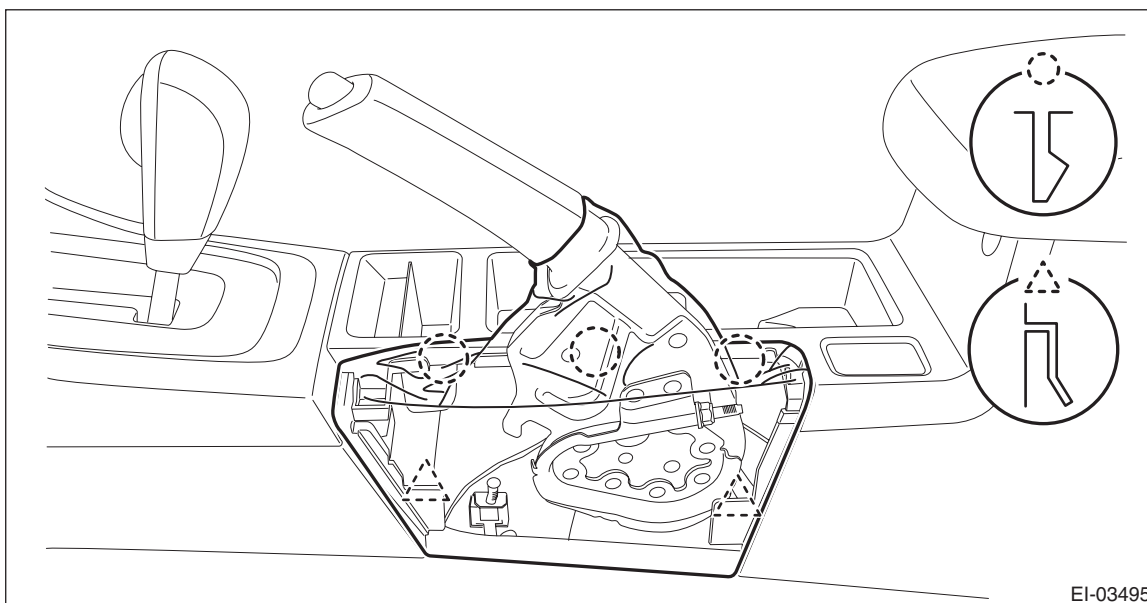
Refer to "CAUTION" of "General Description" before handling the airbag module. <Ref. to AB-11, CAUTION, General Description.>

- 1) Turn the ignition switch to OFF.
- 2) Disconnect the ground cable from battery and wait for at least 60 seconds before starting work.

NOTE:

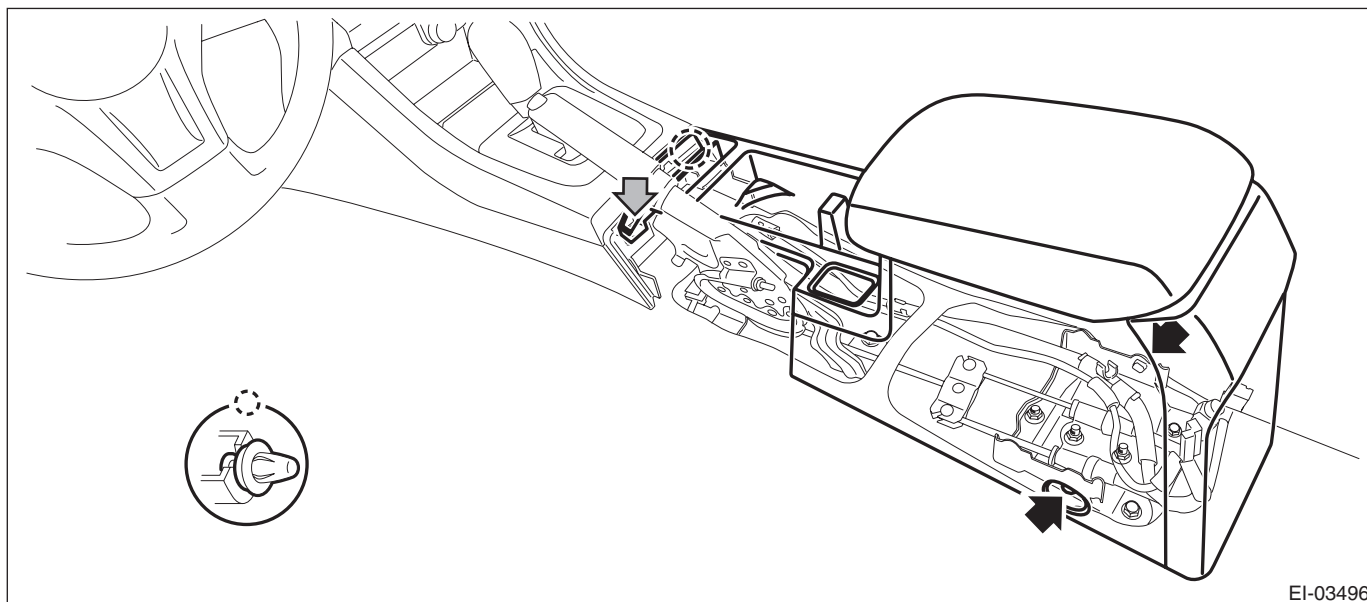
On CVT models, shift the select lever into "D" before disconnecting the battery ground cable.

- 3) Remove the console box assembly.
 - (1) Release the claws, and then remove the boot - hand brake.



EI-03495

- (2) Move the seat forward, and remove the bolts after detaching the left and right caps.
- (3) Remove the screws, disconnect the harness connector and remove the console box assembly.



EI-03496

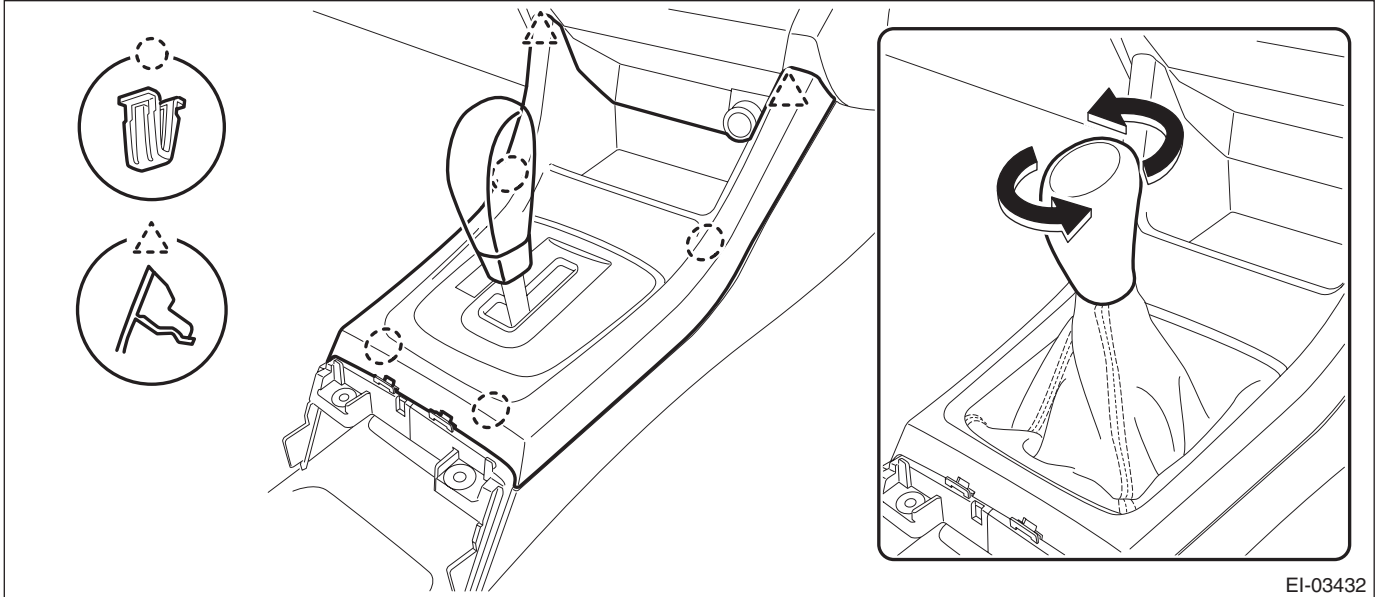
Passenger's Airbag Module

AIRBAG SYSTEM

4) Remove the cover - shift lever.

(1) Remove the shift knob. (MT model)

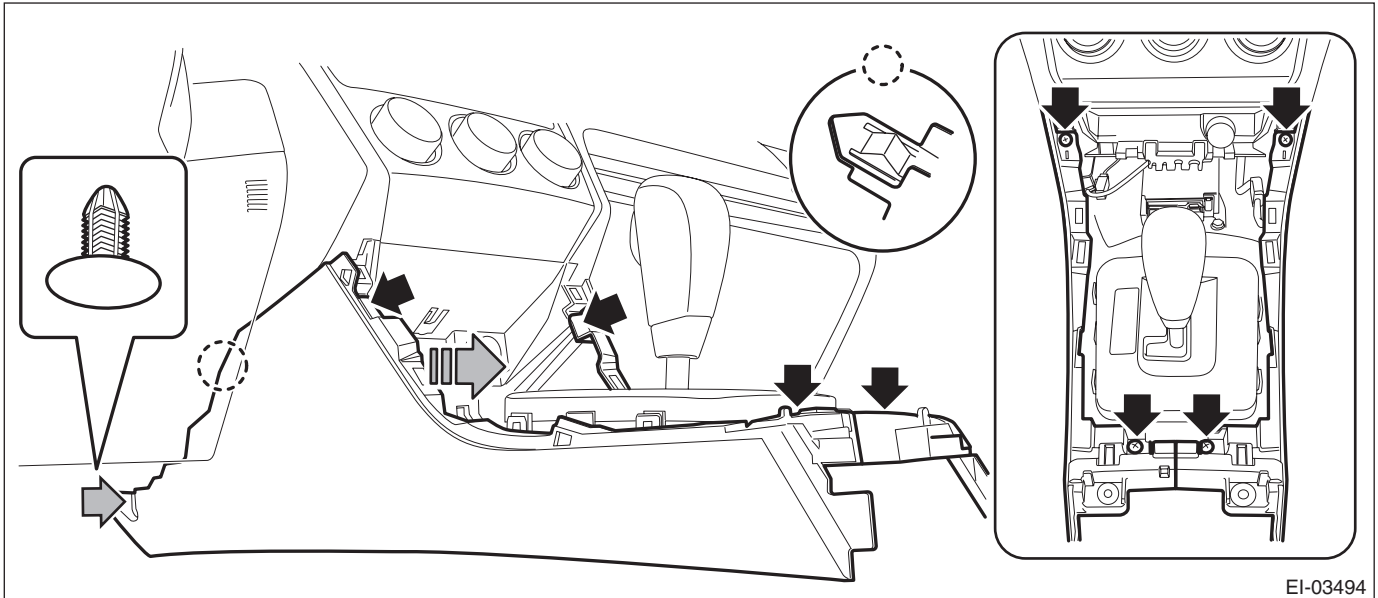
(2) Release the clips and claws, then pull up the cover - shift lever.



5) Remove the left and right panel center LWR.

(1) Remove the screws and clips.

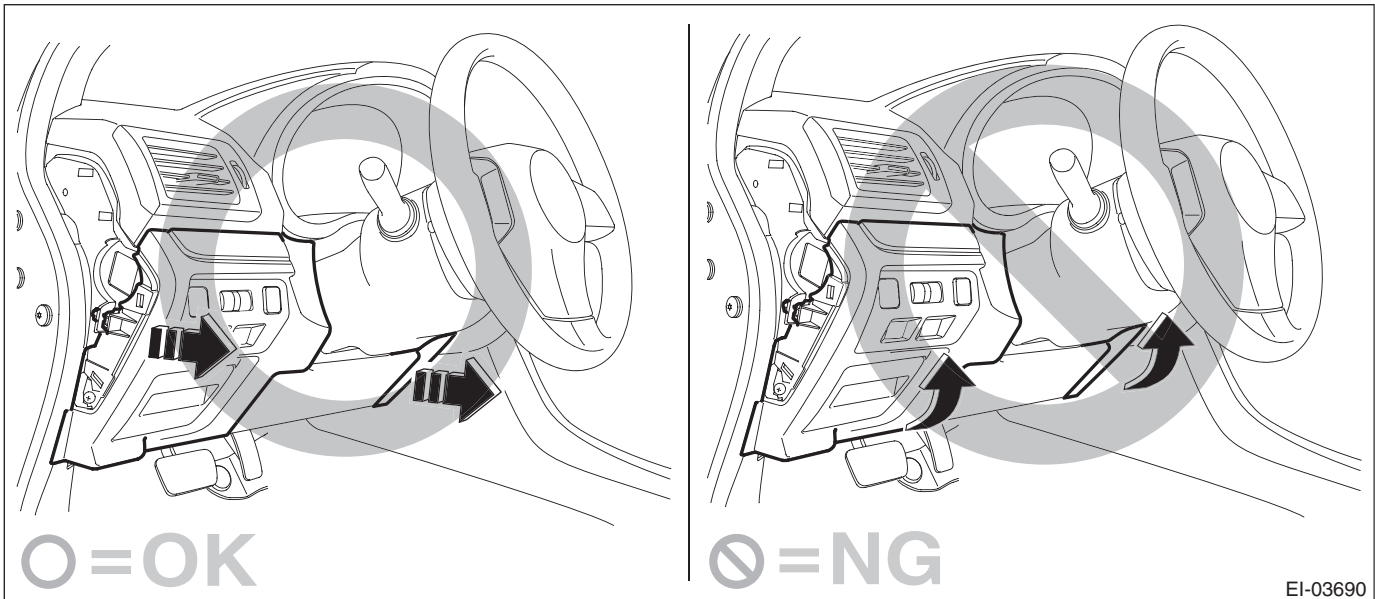
(2) Release the claws, and then pull the panel center LWR to remove.



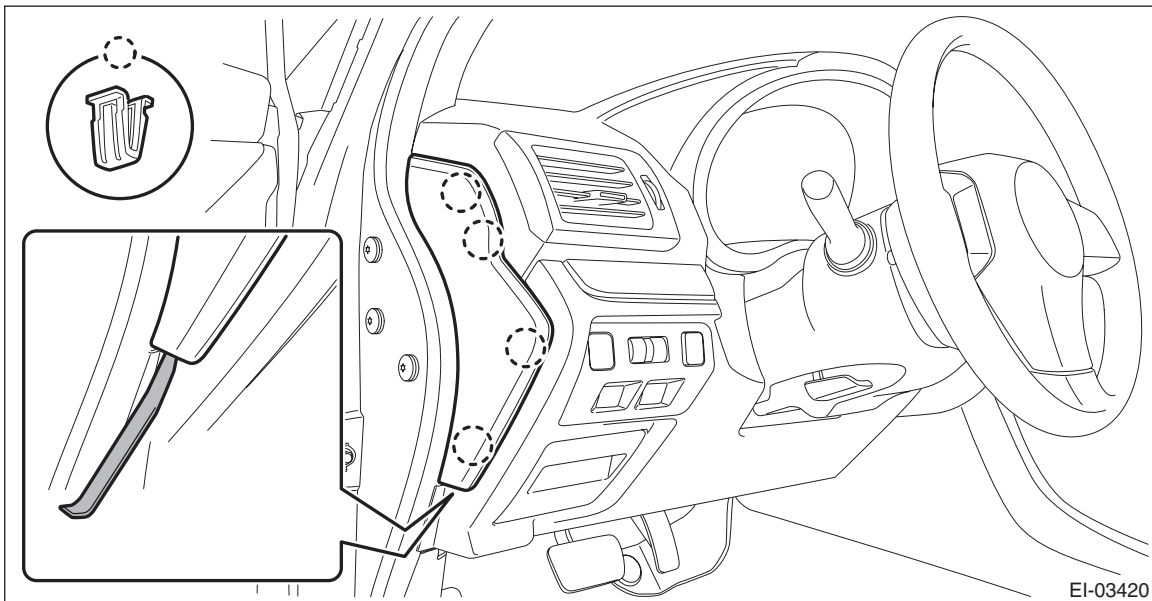
6) Remove the cover assembly - instrument panel LWR driver.

CAUTION:

When removing the cover assembly - instrument panel LWR driver, be sure to pull it toward you. If attempting to remove by turning it upward, the claws may be damaged.



(1) Remove the clips, and remove the cover - instrument panel side LH.



NOTE:

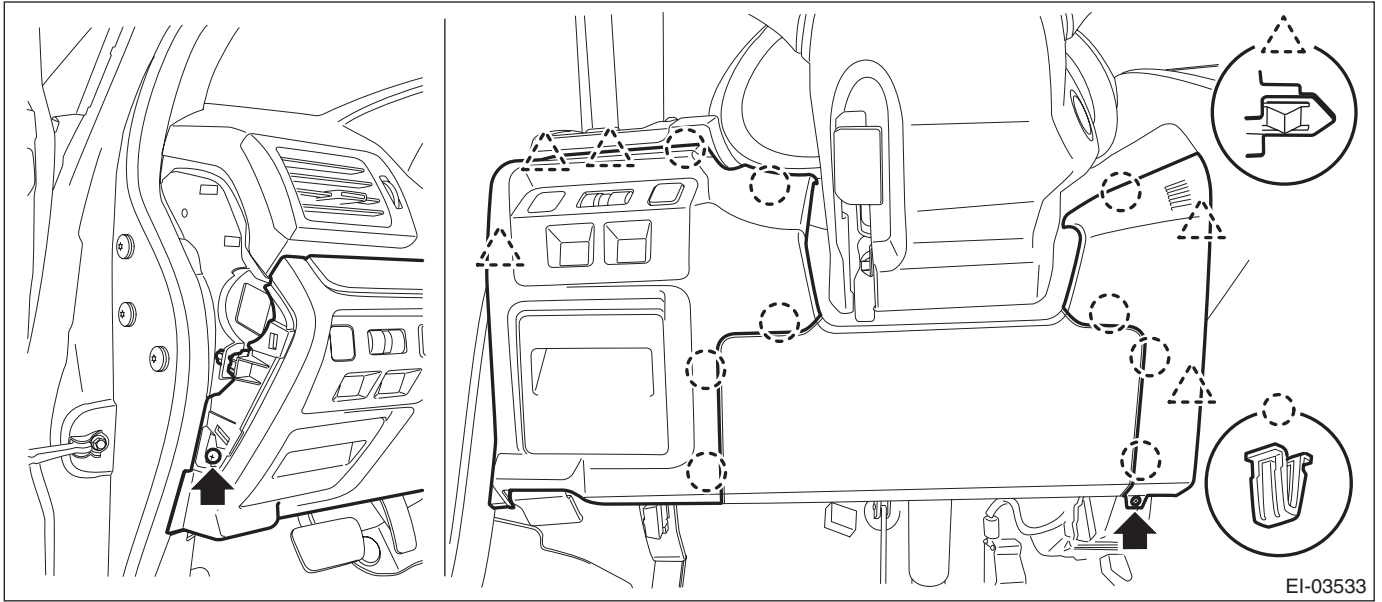
Using a plastic remover, open the cover - instrument panel side LH.

(2) Remove the screws and release the clips and claws.

Passenger's Airbag Module

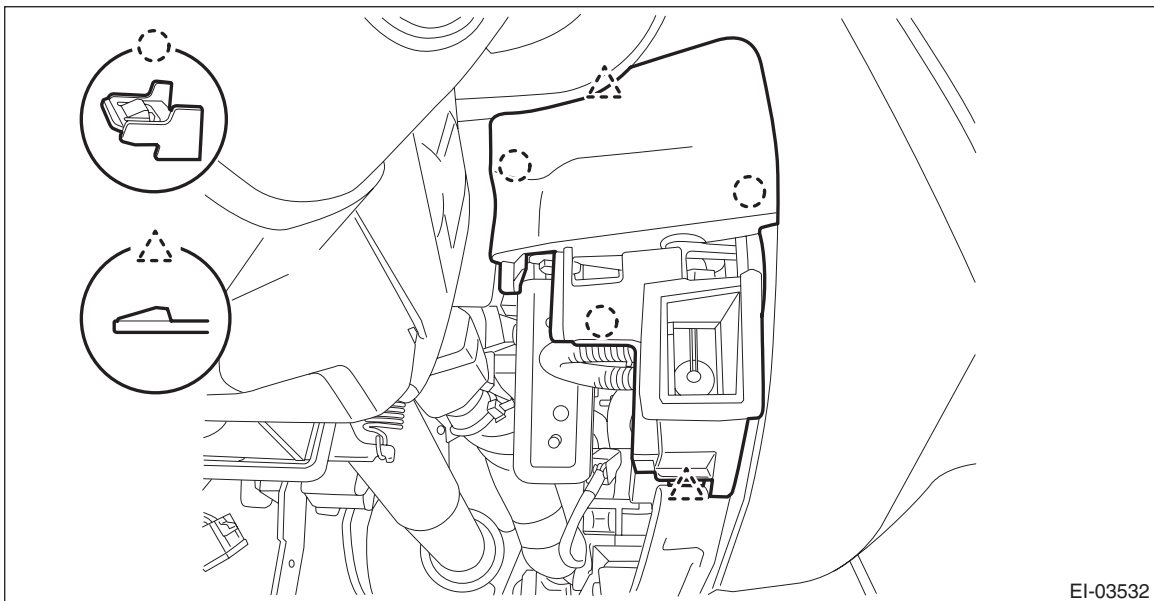
AIRBAG SYSTEM

- (3) Disconnect the harness connectors, and remove the cover assembly - instrument panel LWR driver INN and OUT.

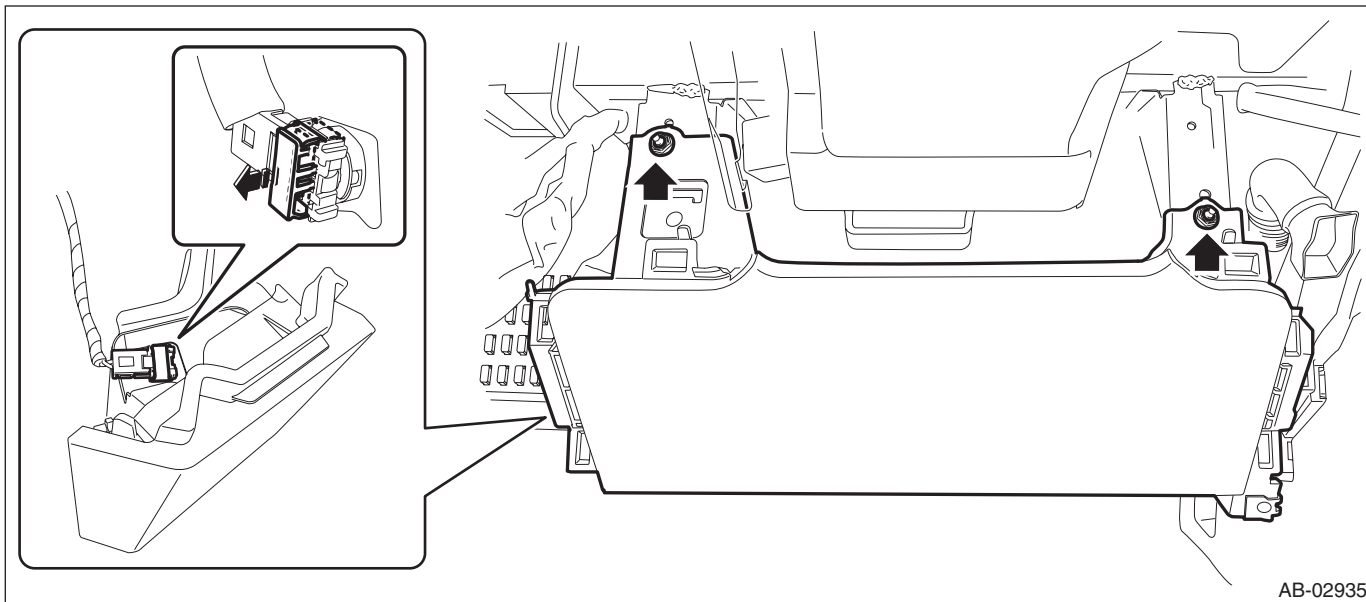


- 7) Remove the cover switch - starter.

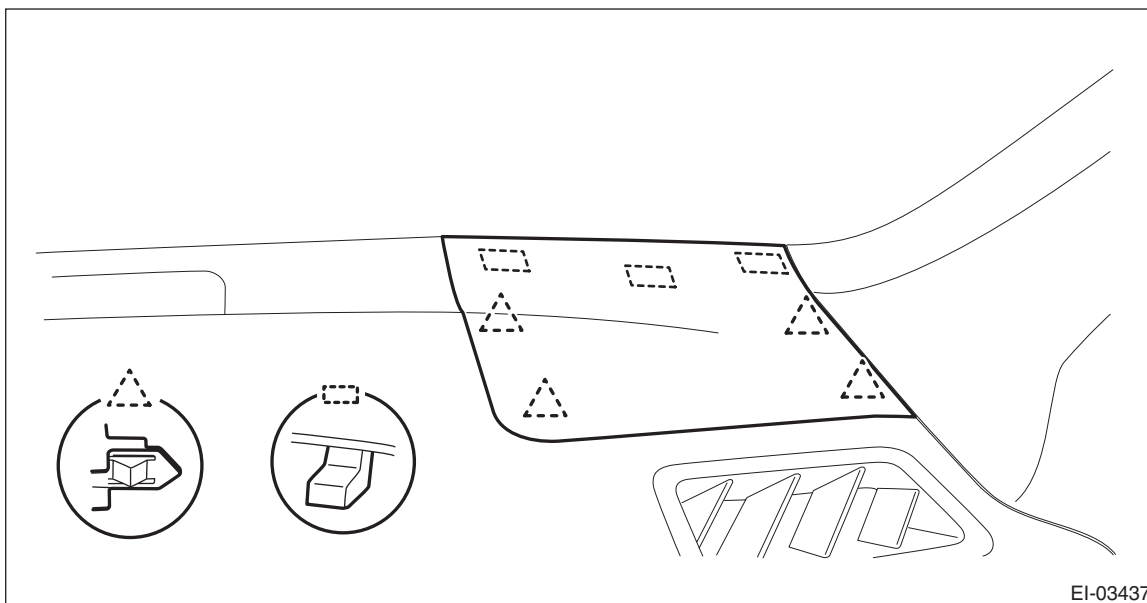
- (1) Release the claws and remove the cover switch - starter.
(2) Disconnect the connector and aspirator hose.



8) Remove the nuts to remove the knee airbag module and disconnect the harness connector. <Ref. to AB-33, KNEE AIRBAG MODULE, PROCEDURE, Airbag Connector.>



9) Release the clips and claws, then detach the left and right grille speaker side.



NOTE:
Remove the grille speaker side by using a plastic remover.

Passenger's Airbag Module

AIRBAG SYSTEM

10) Remove the trim panel - front pillar UPR on the left and right sides.

(1) Pull the upper part of the trim panel - front pillar UPR towards the center of the vehicle.

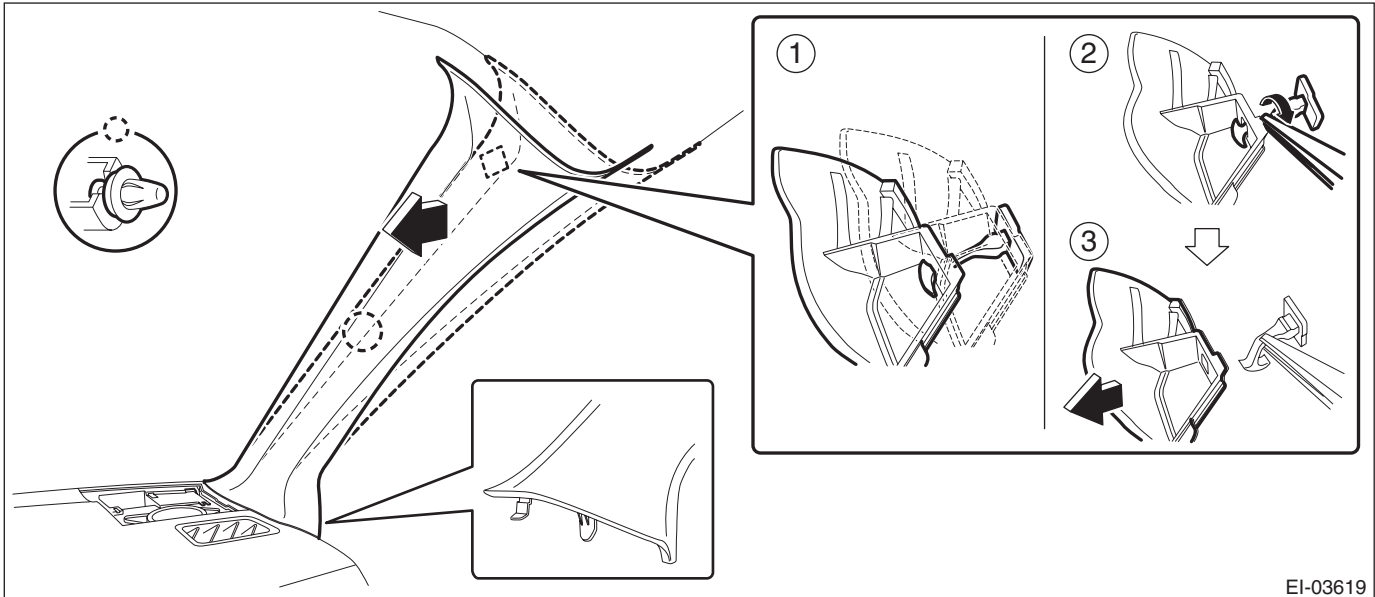
(2) Insert long-nose pliers into the top part of the trim, grip the tether clip with the pliers and twist 90° in that position.

CAUTION:

Be careful not to damage the pillar trim surface and curtain airbag module when inserting the pliers.

(3) Holding the tether clip twisted as in the previous step, remove the trim panel - front pillar UPR from the tether clip.

(4) Remove the clips, and remove the trim panel - front pillar UPR.



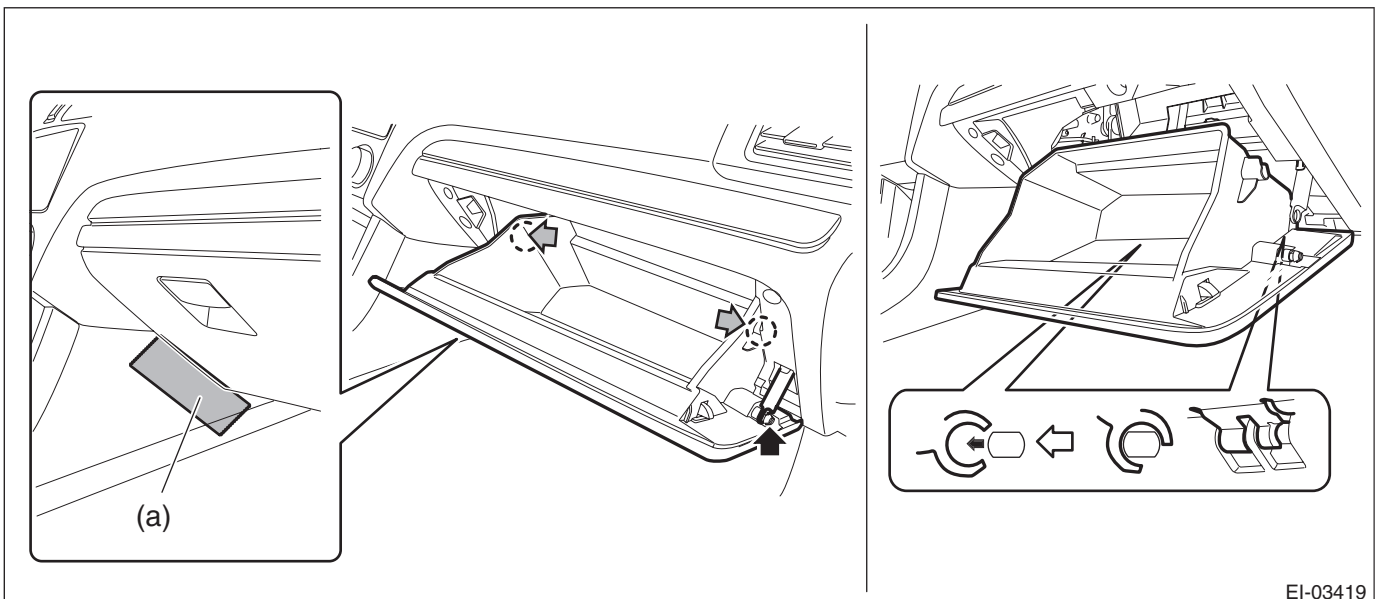
EI-03619

11) Remove the pocket assembly.

(1) Attach the protective tape (a) to the panel center LWR.

(2) Remove the damper COMPL - pocket.

(3) Release the stoppers and remove the pocket assembly by pulling it toward you.



EI-03419

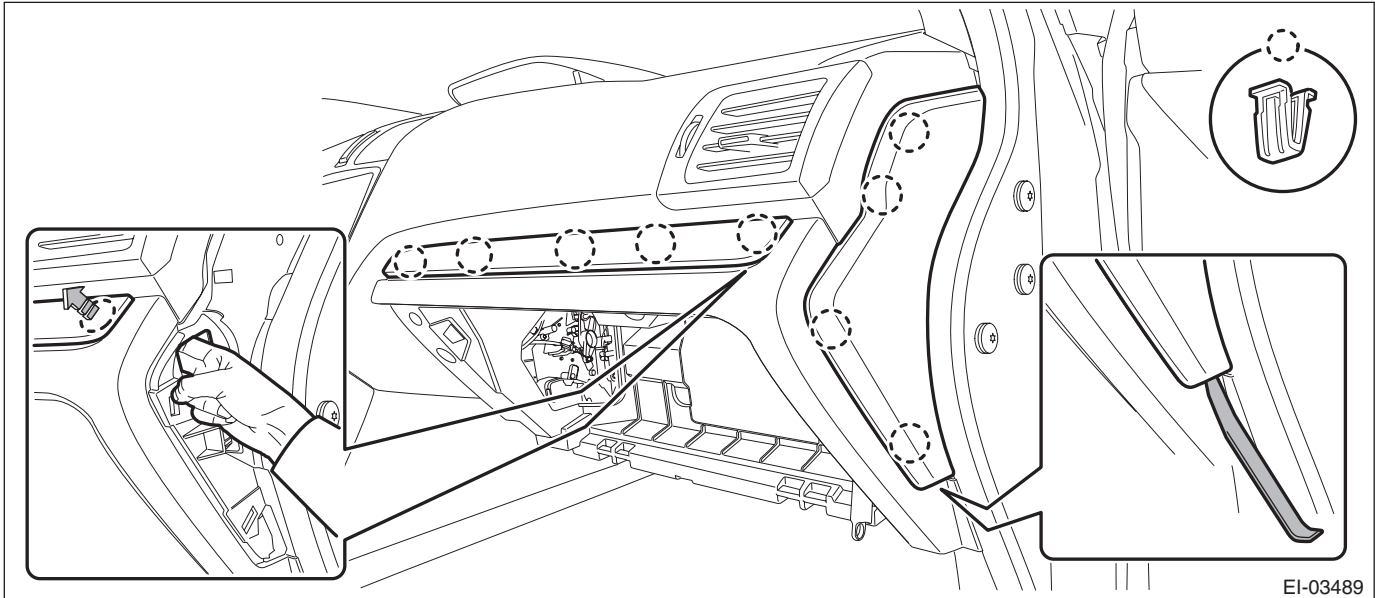
12) Remove the back panel - pocket.

(1) Remove the clips, and remove the cover - instrument panel side RH.

NOTE:

Remove the cover - instrument panel side RH by using a plastic remover.

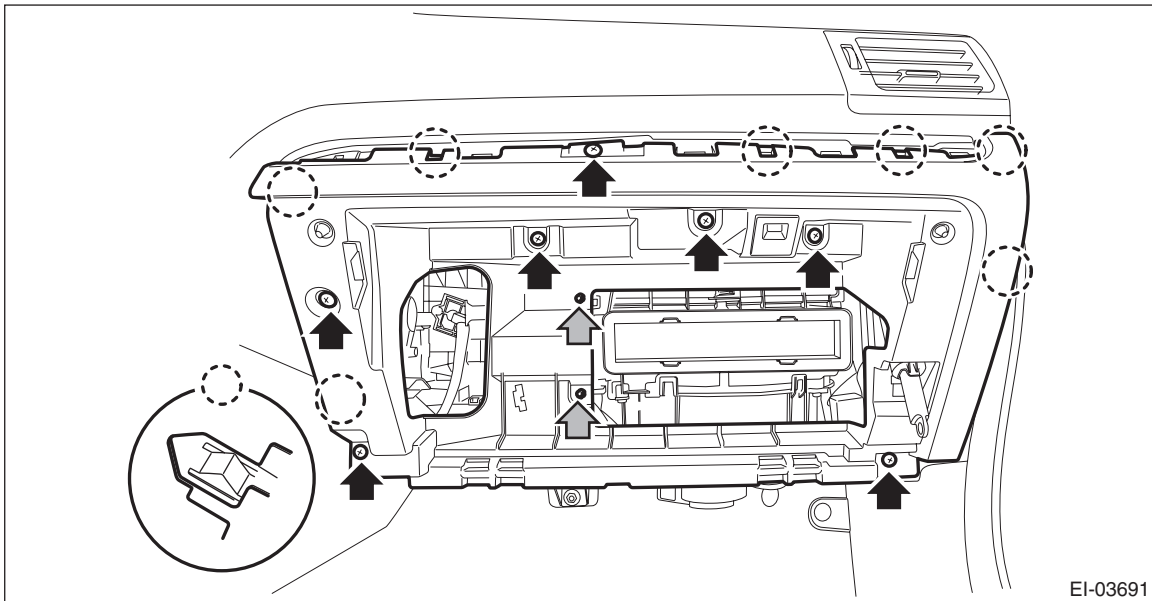
(2) Release the clips, and remove the ornament - panel assembly passenger.



NOTE:

To facilitate the removal, push the clip of the ornament - panel assembly passenger from the backside.

(3) Release the claws and remove the screws, then remove the back panel - pocket.

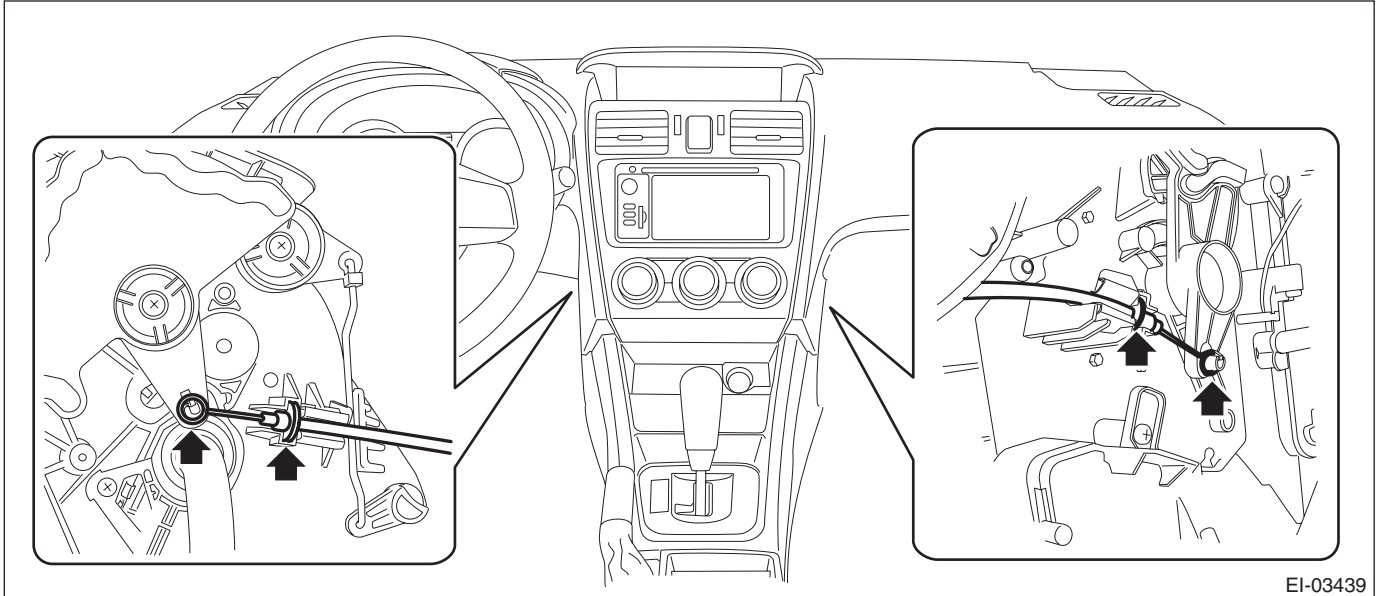


(4) Disconnect the glove box light LED connector.

Passenger's Airbag Module

AIRBAG SYSTEM

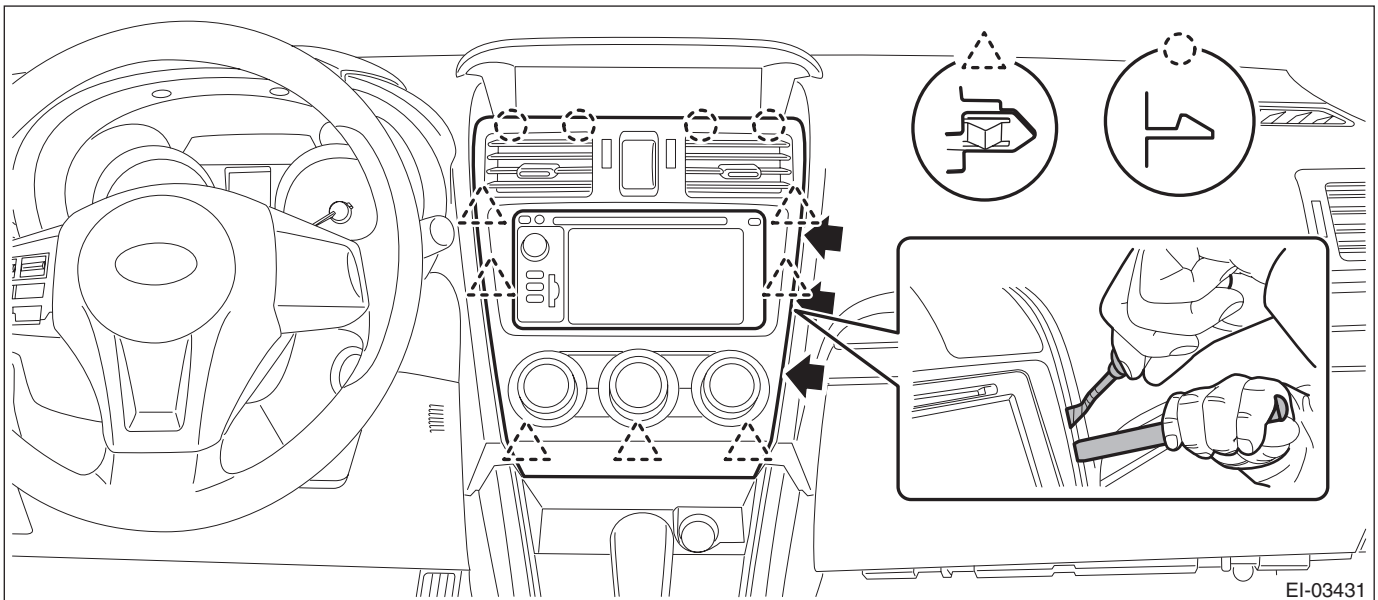
13) On manual A/C models, disconnect the control cables from both sides of the heater & cooling unit.



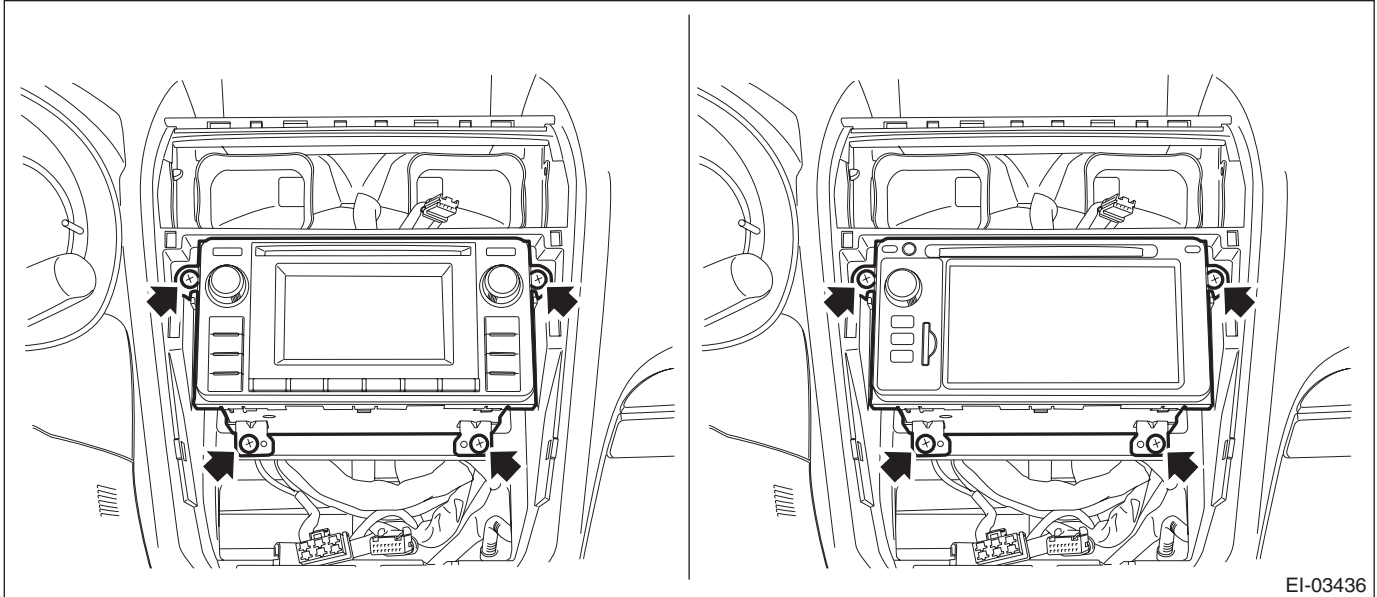
14) Remove the panel center assembly.

CAUTION:

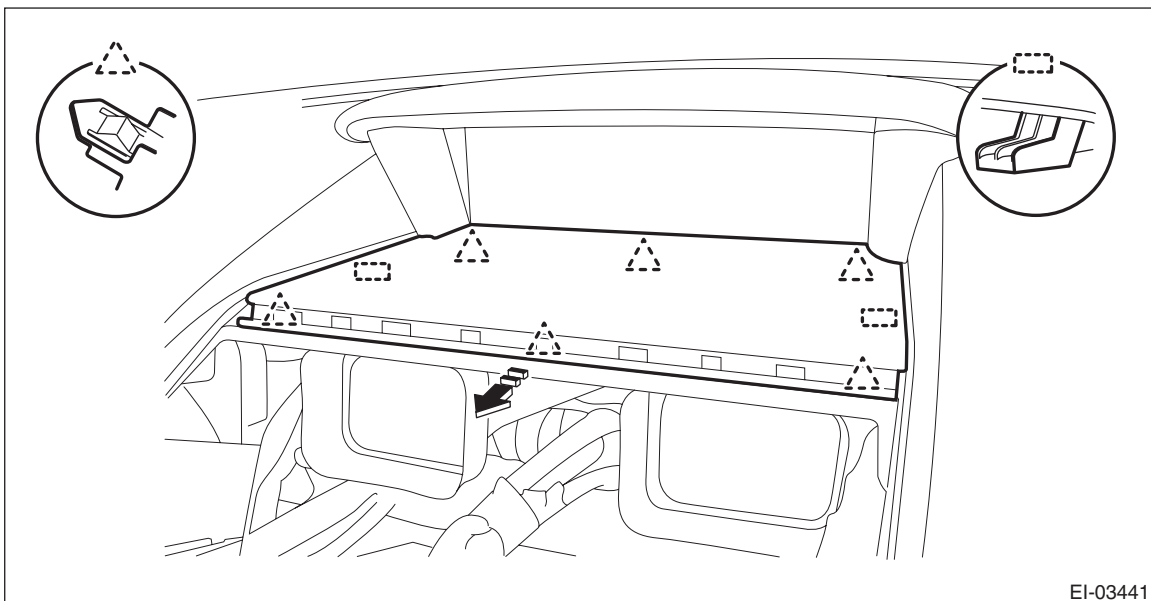
- Do not put your finger on the fin of the air vent grille. Doing so may damage the fin.
 - Pull the panel center assembly slowly. Pulling with excessive force may damage the connector.
- (1) Insert a plastic remover to the three areas shown by the arrows, and lift up the panel center assembly slightly.
 - (2) With the panel center assembly lifted up slightly, release the claw by using a clip remover wrapped with protective tape.
 - (3) Release the rest of the claws, and pull out the panel center assembly.
 - (4) Disconnect the connectors, and remove the panel center assembly.



- 15) Remove the audio assembly or navigation assembly.
- (1) Remove the screws, and partially pull out the audio assembly or navigation assembly.
 - (2) Disconnect the connectors, and remove the audio assembly or navigation assembly.



- 16) Remove the multi-function display assembly.
- (1) Disconnect the claws and then remove the cover center UPR.



NOTE:

Lightly push up the back of the cover center UPR, hook the finger to the end portion and pull it toward you to remove it.

- (2) Release the screws and claws, and then remove the panel - display UPR and the panel - display LWR.

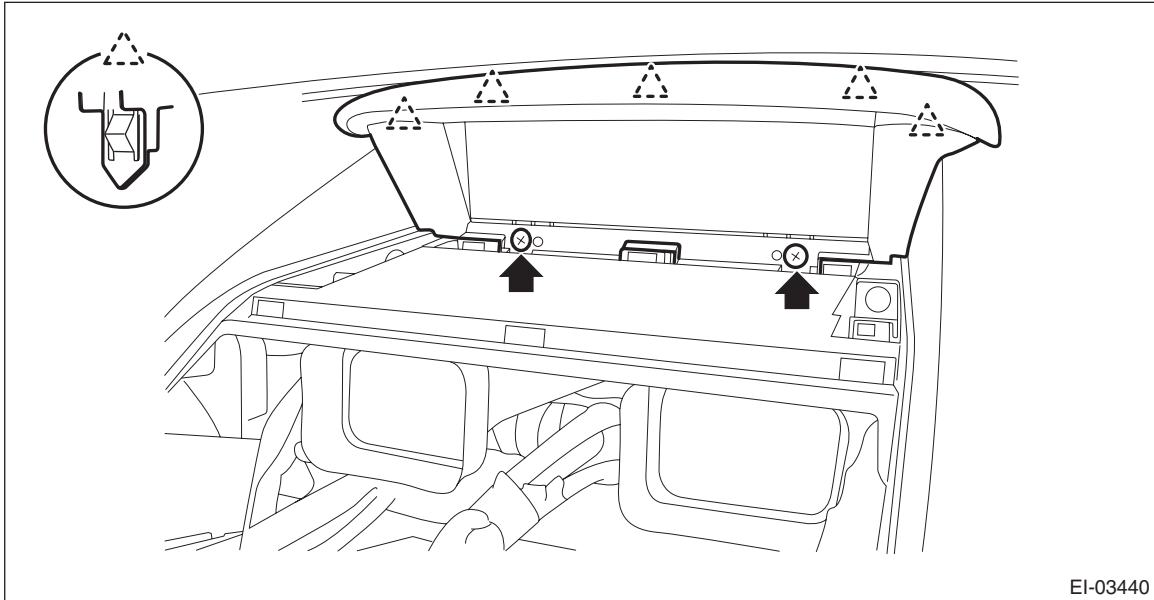
NOTE:

Remove the panel - display UPR & panel - display LWR and the multi-function display assembly as a unit.

Passenger's Airbag Module

AIRBAG SYSTEM

(3) Disconnect the connector and remove the multi-function display assembly.

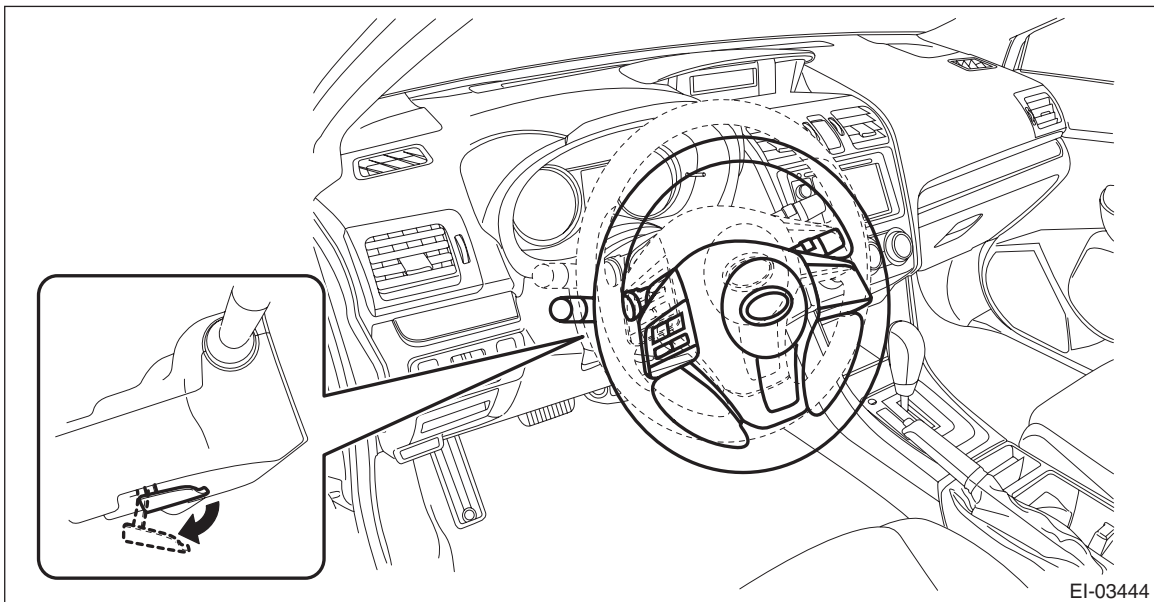


17) Remove the combination meter assembly.

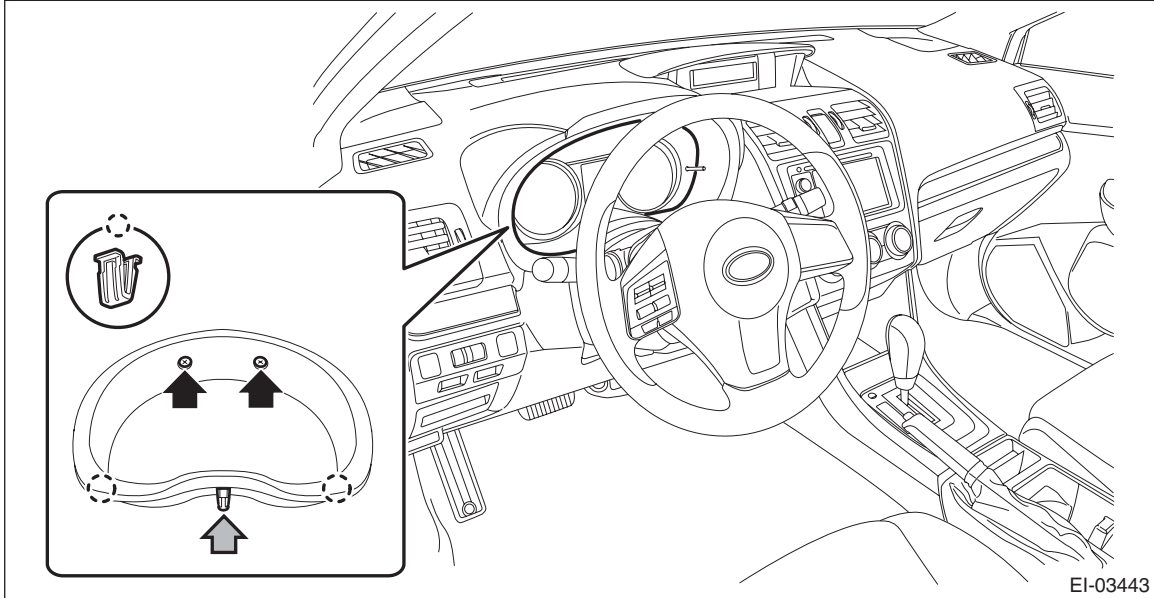
CAUTION:

- Be careful not to damage the meter or instrument panel.
- Pay particular attention to avoid damaging the meter glass.

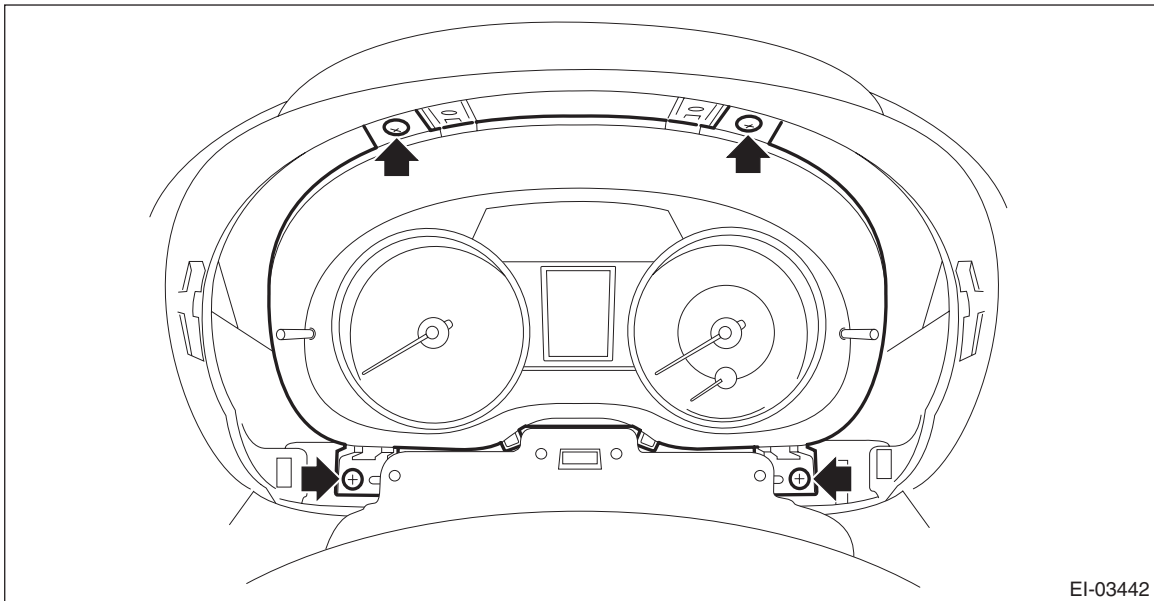
(1) Release the lock, tilt the steering column to the lowest end and fully extend the column by the telescopic system.



- (2) Release the screws and clips, then detach the meter visor assembly.



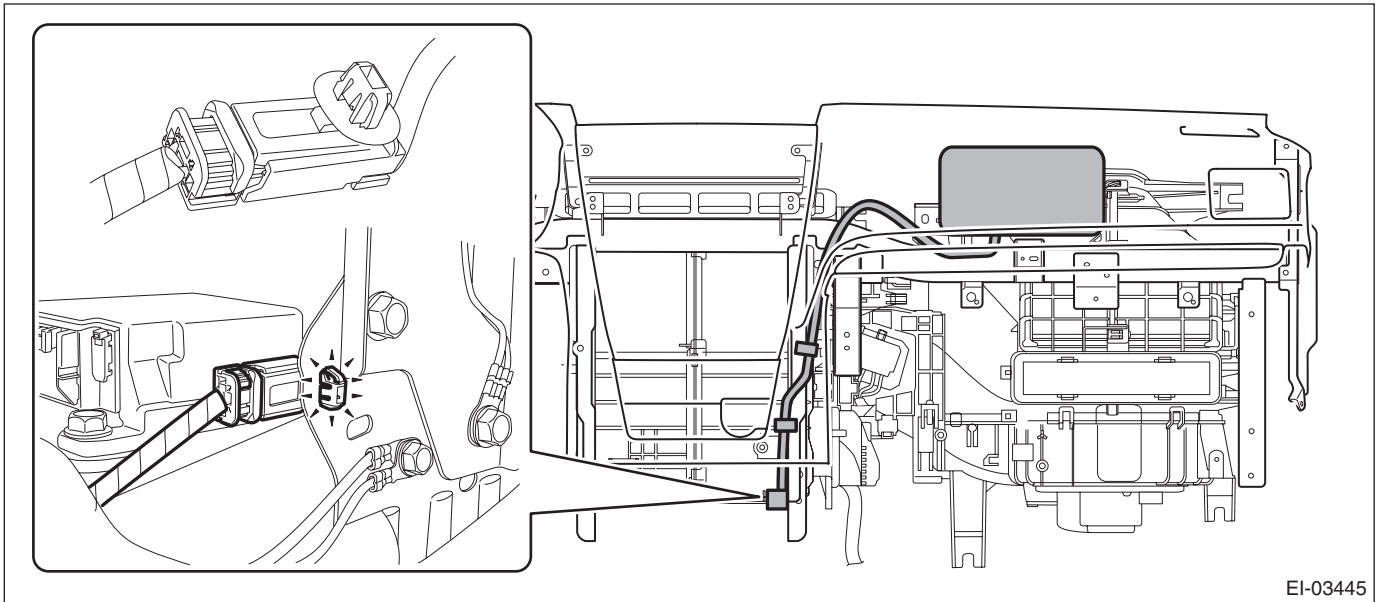
- (3) Remove the screws, disconnect the connector and remove the combination meter assembly.



Passenger's Airbag Module

AIRBAG SYSTEM

18) Disconnect the passenger's airbag module connector. <Ref. to AB-23, PASSENGER'S AIRBAG MODULE, PROCEDURE, Airbag Connector.>

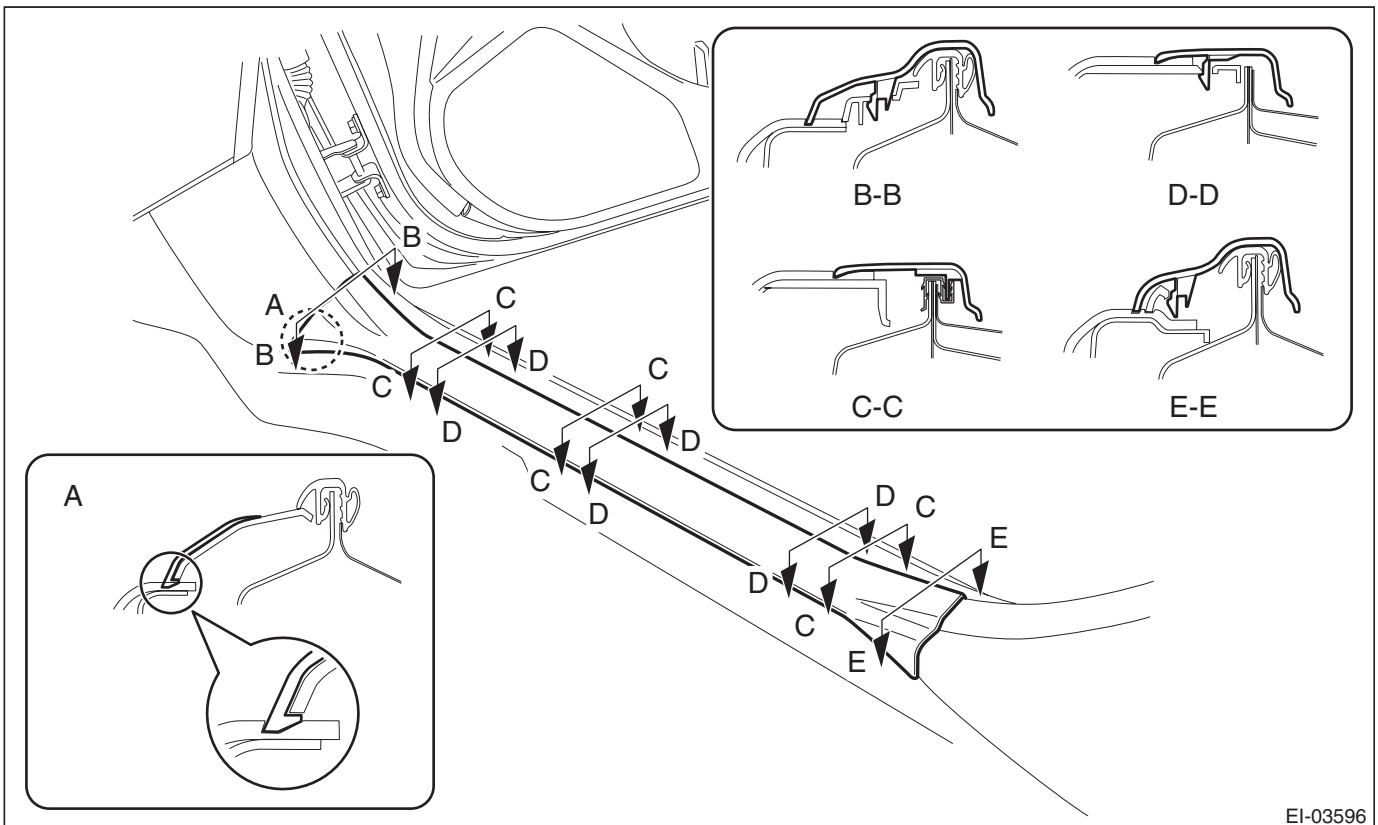


19) Remove the column assembly - steering. <Ref. to PS-18, REMOVAL, Steering Column.>

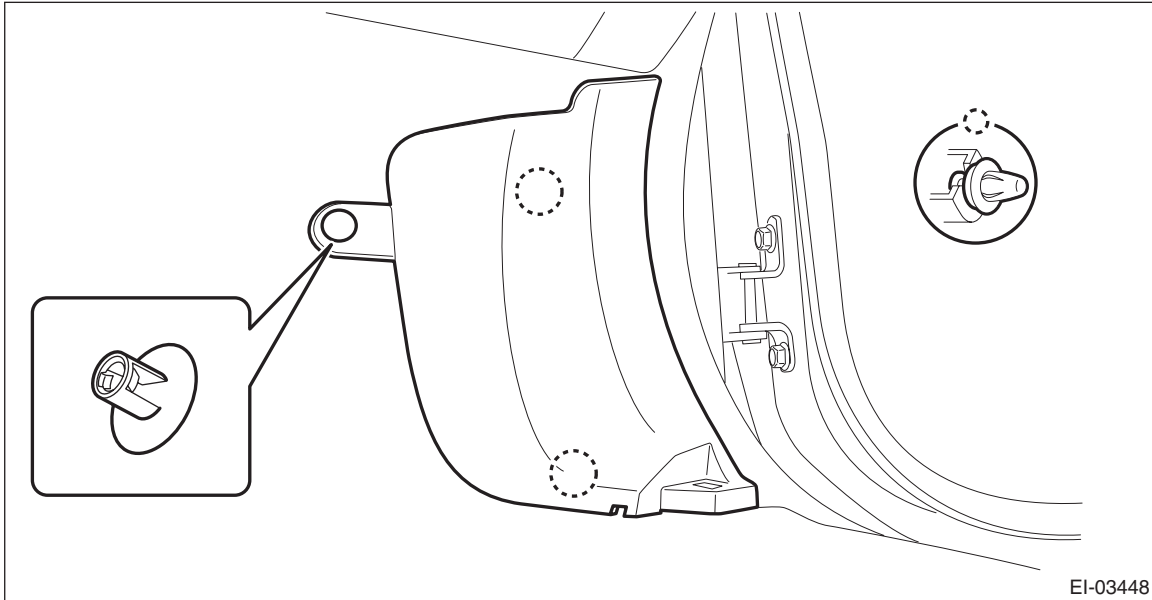
20) Release the claws, and then remove the cover side sill - front INN on LH and RH sides.

CAUTION:

Do not pull with excessive force. Doing so may damage the claws of the cover side sill - front INN.



21) Remove the clip, and remove the cover side sill - front on LH and RH sides.



22) Remove the instrument panel assembly and the beam COMPL - steering as a unit.

CAUTION:

The instrument panel assembly and the beam COMPL - steering are heavy. Always work in a team of two persons when removing them from the vehicle, so as not to damage the vehicle interior.

- (1) Remove the fuse box and relay box.
- (2) Disconnect all harness clamps and connectors of the instrument panel harness.
- (3) Remove the TORX[®] bolt. (a), (b)

Preparation tool:

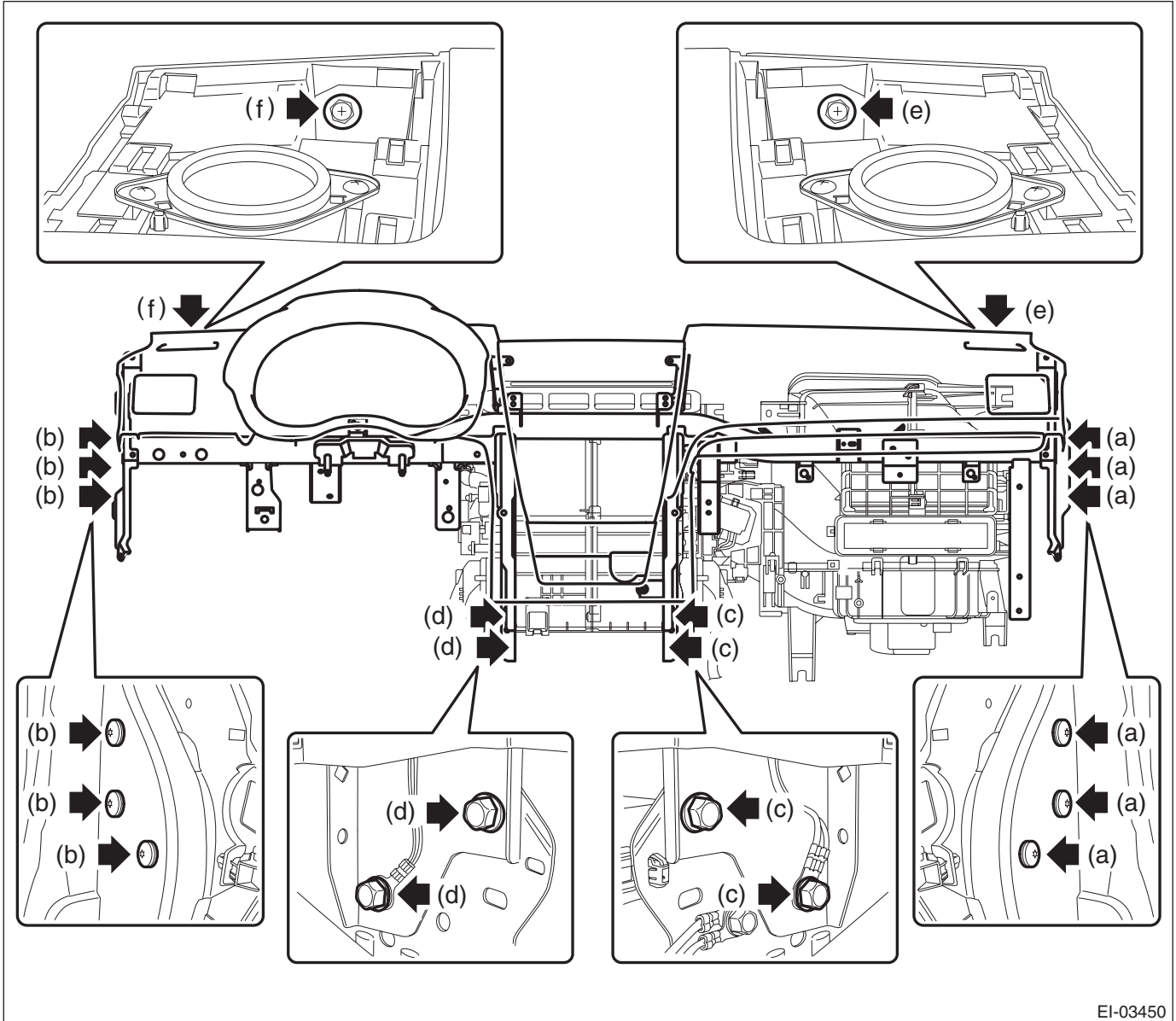
TORX[®] T40

- (4) Remove the bolts at the floor center. (c), (d)

Passenger's Airbag Module

AIRBAG SYSTEM

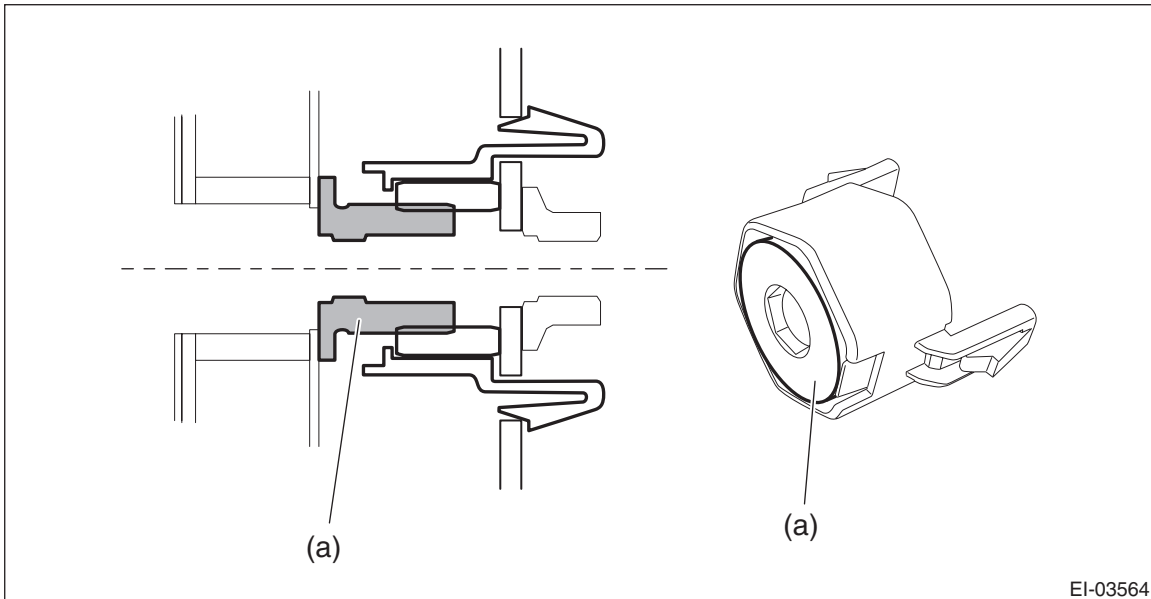
(5) Remove the bolt. (e), (f)



(6) Loosen the adjuster portion (a) of the adjuster - clip space. (only passenger's side of beam COMPL - steering)

Preparation tool:

Hexagon wrench: 8 mm (0.31 in)

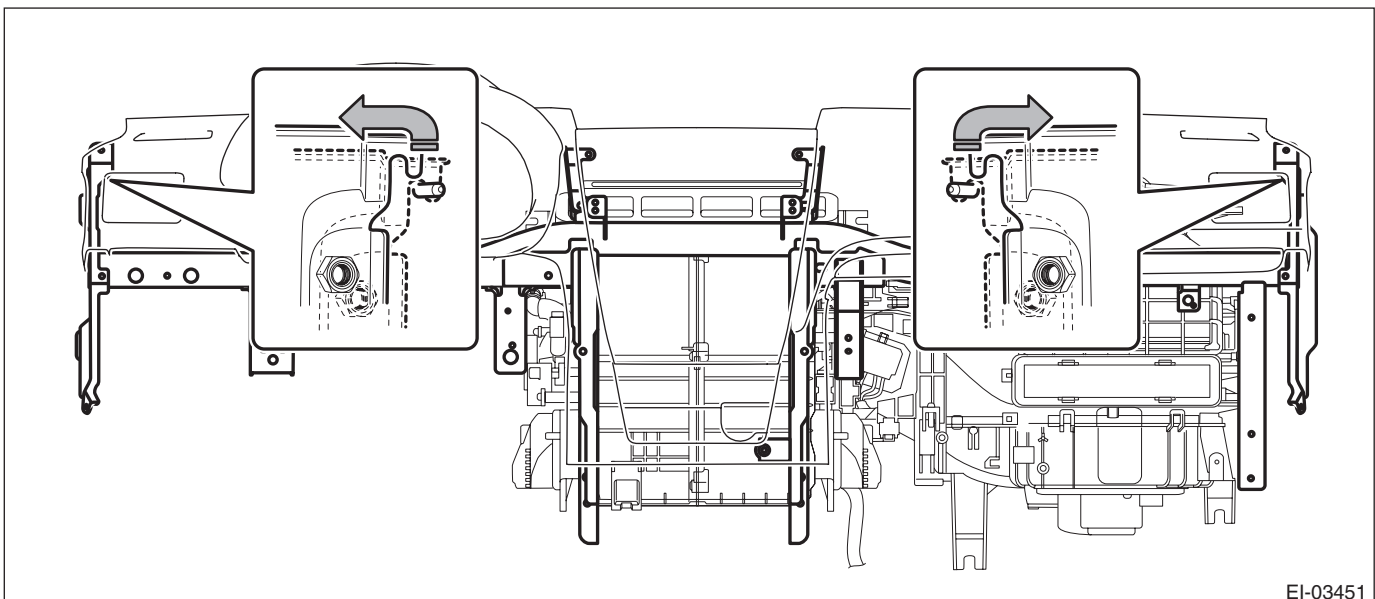


EI-03564

(7) Slightly lift the instrument panel assembly together with the beam COMPL - steering to detach the left and right pins. Then pull it toward you to remove the assembly.

CAUTION:

- Check that all harness clamps and connectors are detached.
- The instrument panel assembly and the beam COMPL - steering are heavy. Always work in a team of two persons when removing them from the vehicle, so as not to damage the vehicle interior.

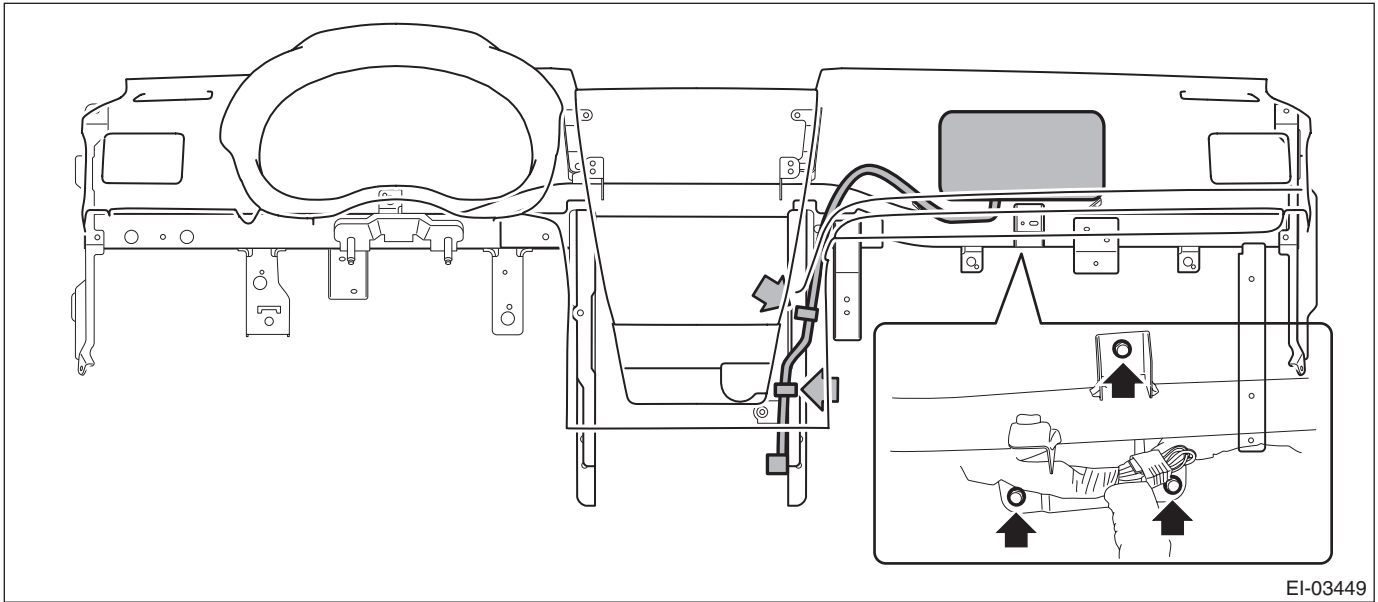


EI-03451

Passenger's Airbag Module

AIRBAG SYSTEM

- 23) Separate the panel COMPL - instrument and the beam COMPL - steering.
(1) Remove the clamps and bolts of the passenger's airbag module harness.



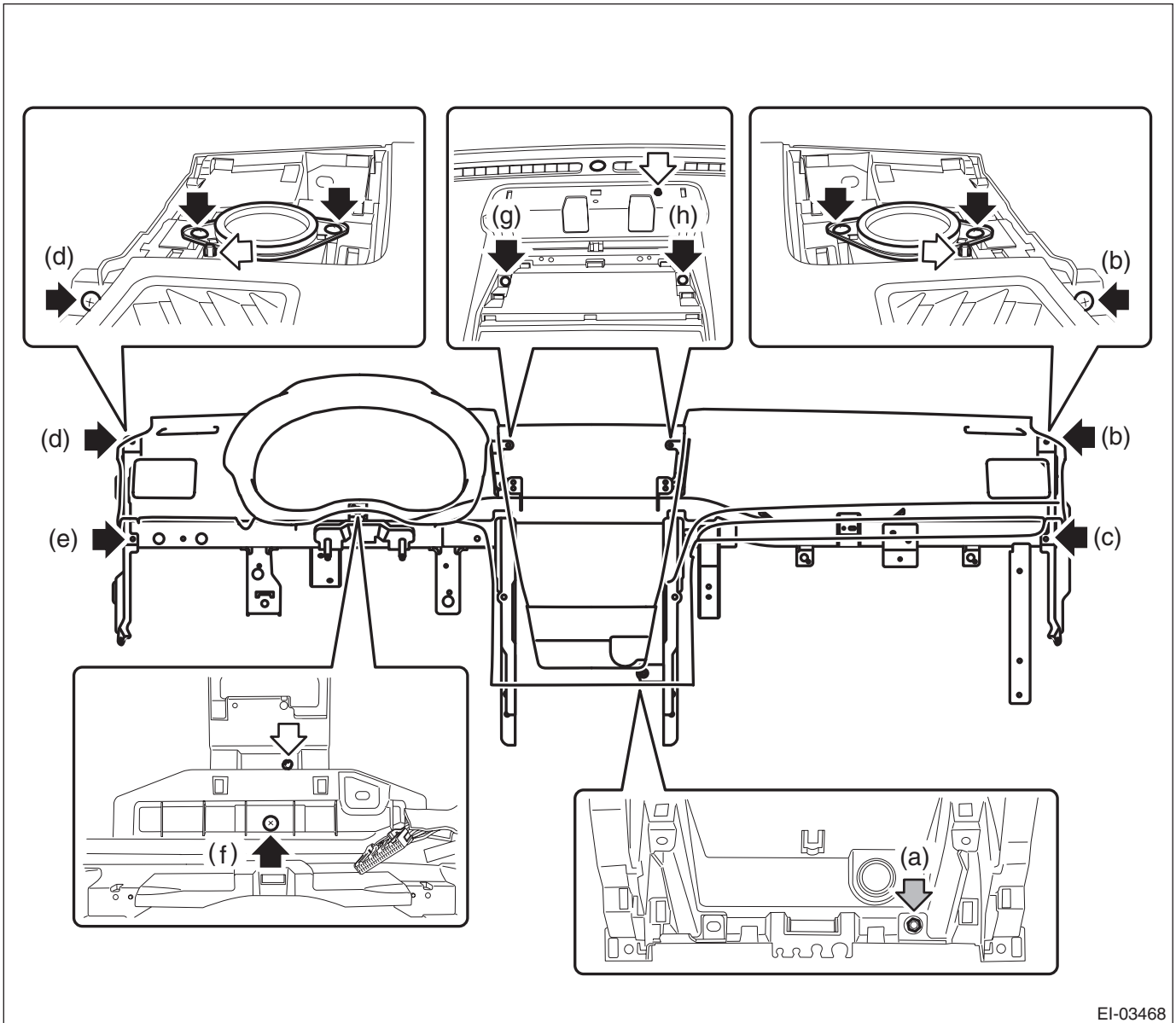
- (2) Remove the left and right speakers and the sensor - sunload.

NOTE:

Detach the harness clamp together.

- (3) Disconnect the front accessory socket connector.
(4) Remove the nut (a) and screws (b), (c), (d), (e), (f), (g) and (h).

(5) While being careful with the harness, separate the panel COMPL - instrument and the beam COMPL - steering.

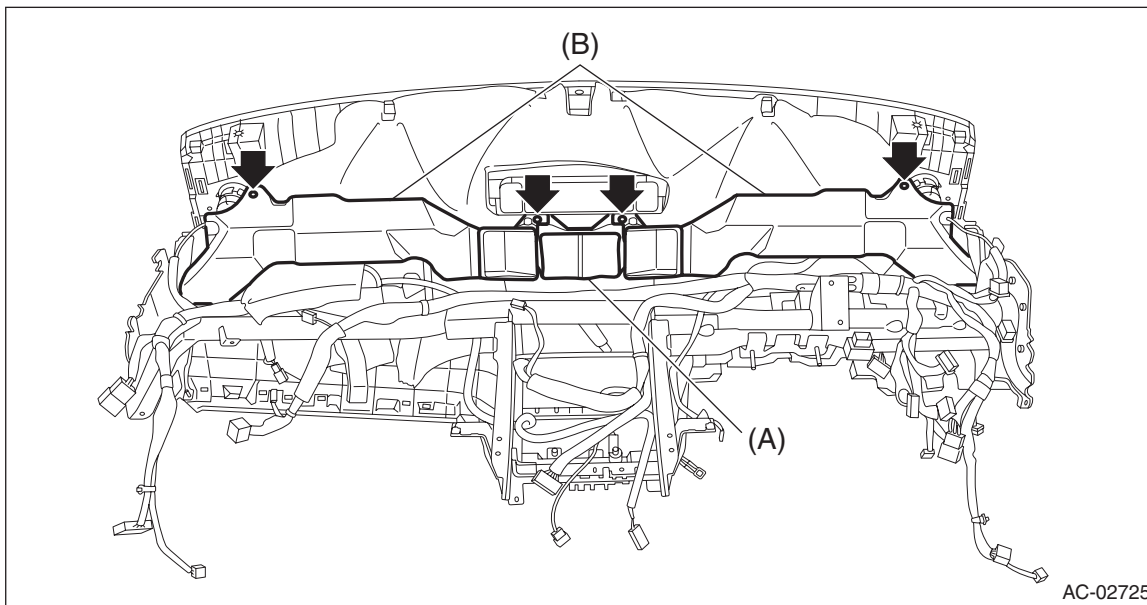


EI-03468

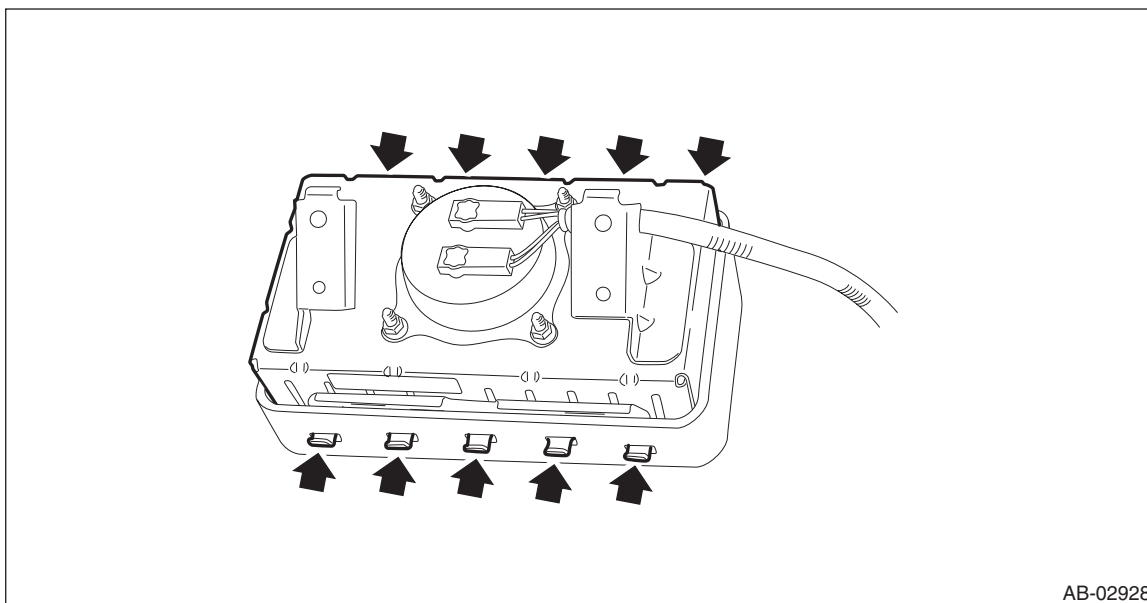
Passenger's Airbag Module

AIRBAG SYSTEM

24) Remove the screws and remove the front (A) and side vent duct LH/RH (B).



25) Remove the claws, and remove the passenger's airbag module.



26) For handling of the removed airbag module, refer to "CAUTION". <Ref. to AB-11, CAUTION, General Description.>

B: INSTALLATION

CAUTION:

- Refer to “CAUTION” of “General Description” before handling the airbag module. <Ref. to AB-11, CAUTION, General Description.>

- Do not allow harness and connectors to interfere or get tangled up with other parts.

- When reusing the tether clip on the upper part of the trim panel - front pillar UPR, check that there is no damage to the tether clip. If the tether clip is damaged, its holding force is reduced and the trim panel - front pillar UPR may come off. Be sure to replace it with a new tether clip.

1) Before installation, inspect the following items and replace any faulty part with a new one.

- Passenger's airbag lid (instrument panel surface) is cracked or deformed.

- Airbag module is cracked or deformed.

- Harness and/or connector is cracked, deformed or open.

- Harness wire is exposed.

- Mounting bracket is cracked or deformed.

2) Install each part in the reverse order of removal.

NOTE:

Refer to the installation procedure of the “Instrument Panel Assembly”. <Ref. to EI-92, INSTALLATION, Instrument Panel Assembly.>