

8. Curtain Airbag Module

A: REMOVAL

1. 4 DOOR MODEL

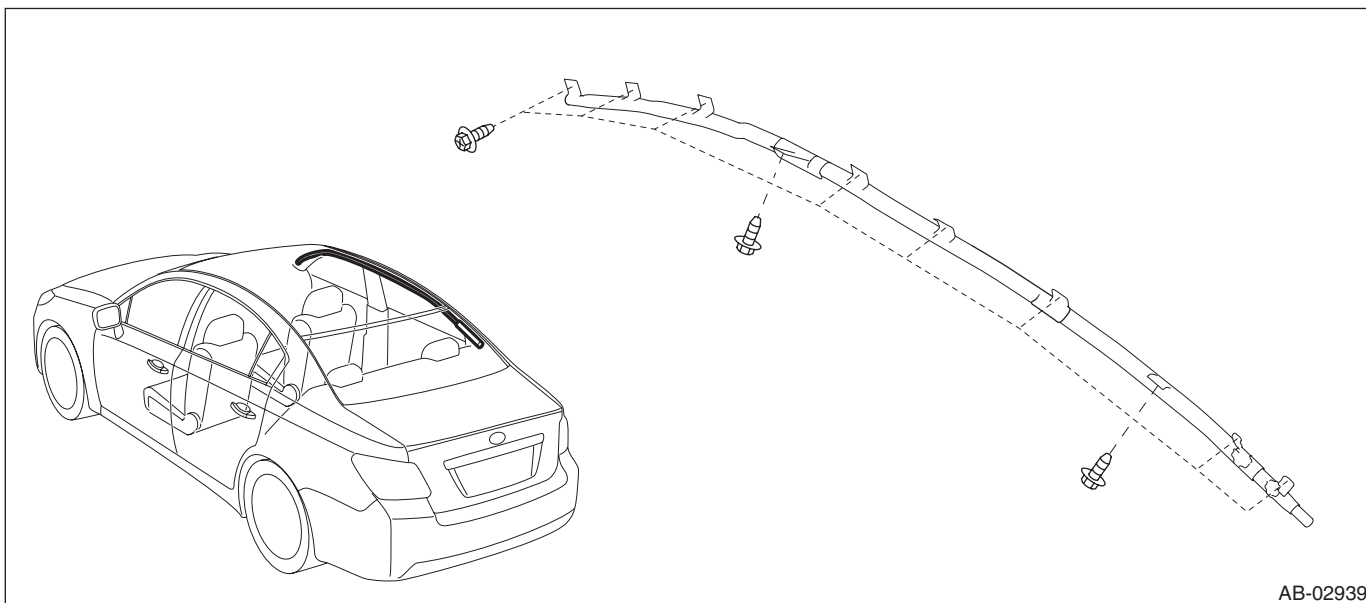
CAUTION:

Refer to “CAUTION” of “General Description” before handling the airbag module. <Ref. to AB-11, CAUTION, General Description.>

- 1) Turn the ignition switch to OFF.
- 2) Disconnect the ground cable from battery and wait for at least 60 seconds before starting work.
- 3) Remove the trim panel - roof assembly. <Ref. to EI-121, 4 DOOR MODEL, REMOVAL, Roof Trim.>
- 4) Remove the curtain airbag module.

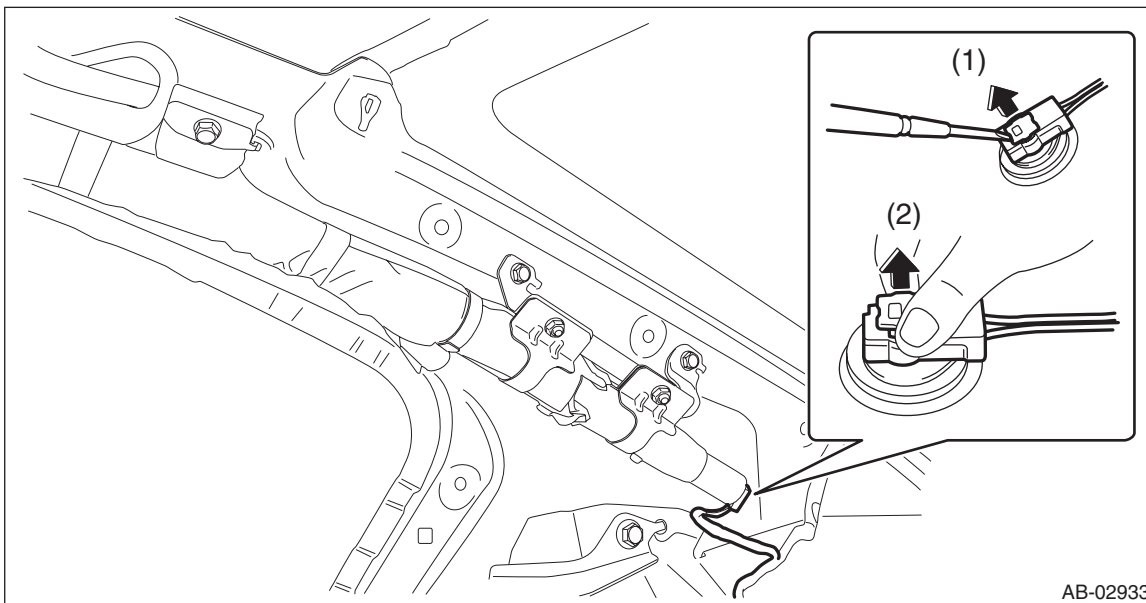
CAUTION:

- Be careful not to damage the curtain airbag module during removal.
- Never open the curtain airbag module before activation. Never reuse the deployed curtain airbag module.
- Remove the modules in order starting from the vehicle front.
 - (1) Remove all the bolts and clips, and remove the curtain airbag module.



AB-02939

(2) Disconnect the curtain airbag module connector. <Ref. to AB-24, DRIVER'S AIRBAG MODULE, CURTAIN AIRBAG MODULE & PRETENSIONER, PROCEDURE, Airbag Connector.>



AB-02933

2. 5 DOOR MODEL/XV MODEL

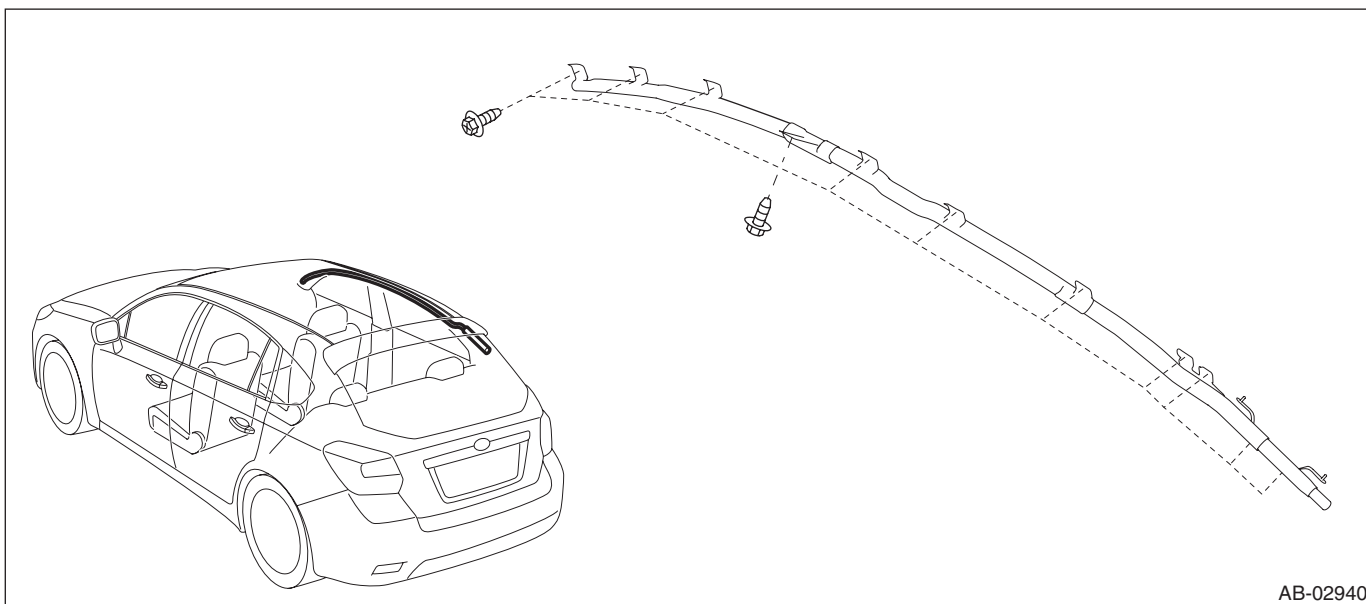
CAUTION:

Refer to “CAUTION” of “General Description” before handling the airbag module. <Ref. to AB-11, CAUTION, General Description.>

- 1) Turn the ignition switch to OFF.
- 2) Disconnect the ground cable from battery and wait for at least 60 seconds before starting work.
- 3) Remove the trim panel - roof assembly. <Ref. to EI-131, 5 DOOR MODEL/XV MODEL, REMOVAL, Roof Trim.>
- 4) Remove the curtain airbag module.

CAUTION:

- Be careful not to damage the curtain airbag module during removal.
- Never open the curtain airbag module before activation. Never reuse the deployed curtain airbag module.
- Remove the modules in order starting from the vehicle front.
 - (1) Remove all the bolts and clips, and remove the curtain airbag module.

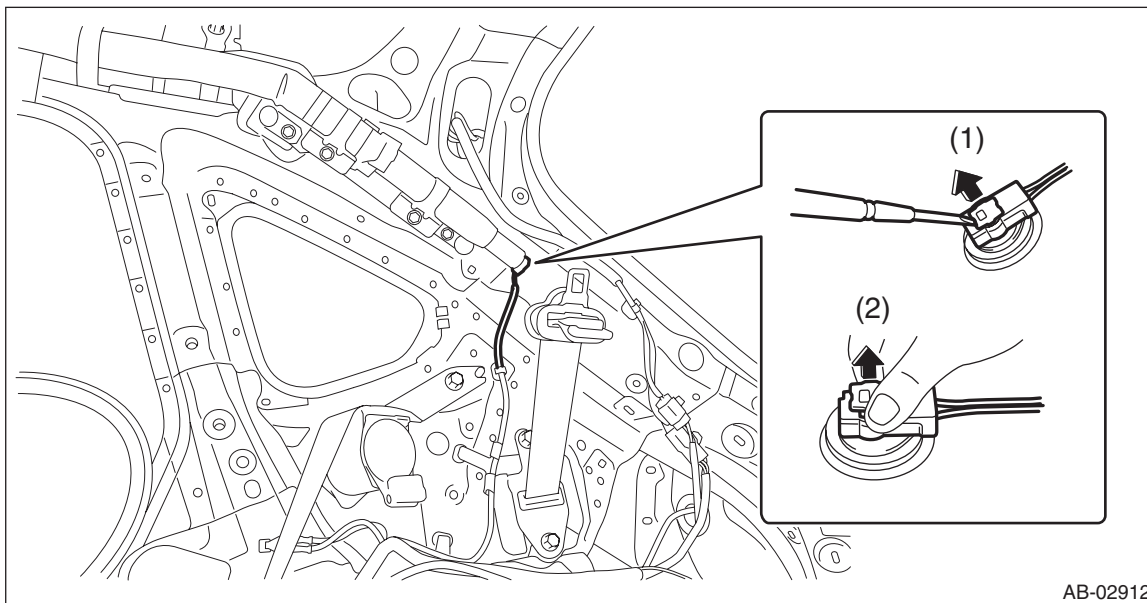


AB-02940

Curtain Airbag Module

AIRBAG SYSTEM

(2) Disconnect the curtain airbag module connector. <Ref. to AB-24, DRIVER'S AIRBAG MODULE, CURTAIN AIRBAG MODULE & PRETENSIONER, PROCEDURE, Airbag Connector.>



B: INSTALLATION

CAUTION:

- Refer to “CAUTION” of “General Description” before handling the airbag module. <Ref. to AB-11, CAUTION, General Description.>
- When installing the curtain airbag module, install a specified part at specified place.
- Be careful not to damage the curtain airbag module during installation.
- Never open the curtain airbag module before activation. Never reuse the deployed curtain airbag module.
- Make sure that there are no foreign matter on airbag module.

1) Before installation, inspect the following items and replace any faulty part with a new one.

- Airbag cover is scratched or torn.
- Harness and/or connector is cracked, deformed or open.
- Harness wire is exposed.
- Mounting bracket and securing clip are cracked or deformed.

2) Install each part in the reverse order of removal.

CAUTION:

- Do not reuse the tether clips on the upper part of the front pillar trim. Always replace with a new part.

Once the tether clip is removed from the pillar trim, the retention power deteriorates and the front pillar trim may come off.

- Do not reuse the upper clips of the trim panel - center pillar UPR. Once the clip is removed, its holding force is reduced. Be sure to replace it with a new clip.
- Before installing the front pillar trim, check the condition of (white) protective unwoven cloth of curtain airbag. If it is damaged (airbag module cloth is exposed), replace the curtain airbag module assembly with a new part.

Tightening torque:

Curtain airbag module: 7.5 N·m (0.76 kgf·m, 5.5 ft·lb)