

## 9. Airbag Control Module

### A: REMOVAL

#### CAUTION:

- Do not disassemble the airbag control module.
- If the airbag control module is deformed or if there is any trace of water on the module, replace the airbag control module with a new one.
- Do not drop the airbag control module.
- After removal, keep the airbag control module on a dry, clean surface away from moisture, heat and dust.

1) Turn the ignition switch to OFF.

#### CAUTION:

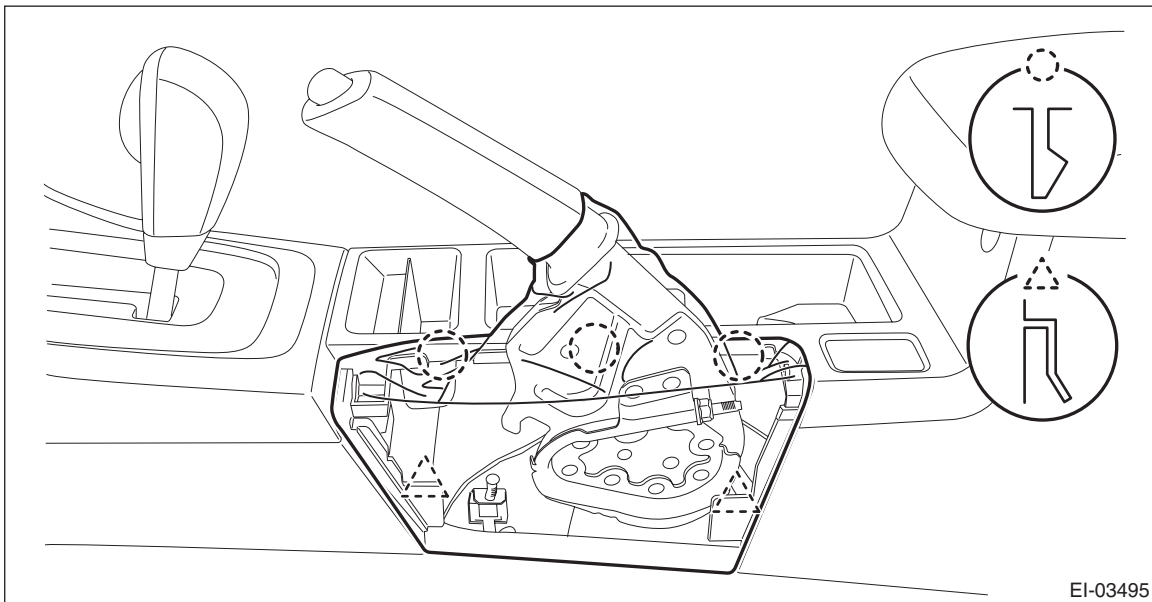
**Disconnect the ground cable from battery and wait for at least 60 seconds before starting work.**

#### NOTE:

On CVT models, shift the select lever into "D" before disconnecting the battery ground cable.

2) Remove the console box assembly.

- (1) Release the claws, and then remove the boot - hand brake.

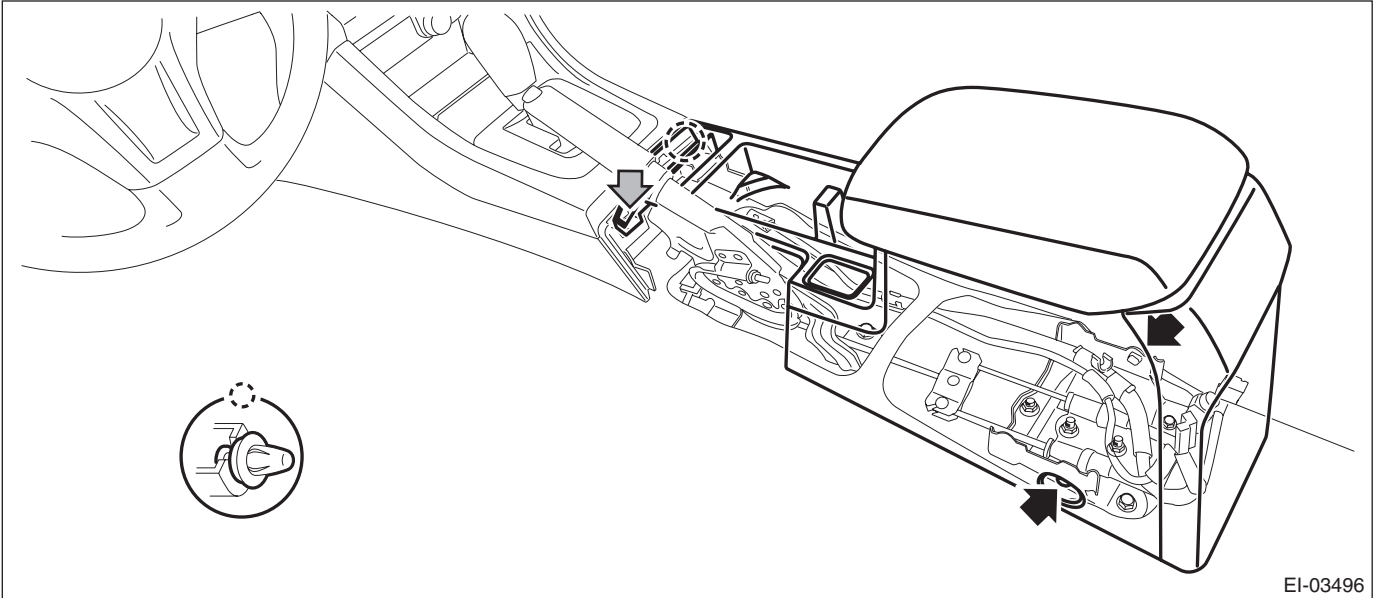


- (2) Move the seat forward, and remove the bolts after detaching the left and right caps.

# Airbag Control Module

## AIRBAG SYSTEM

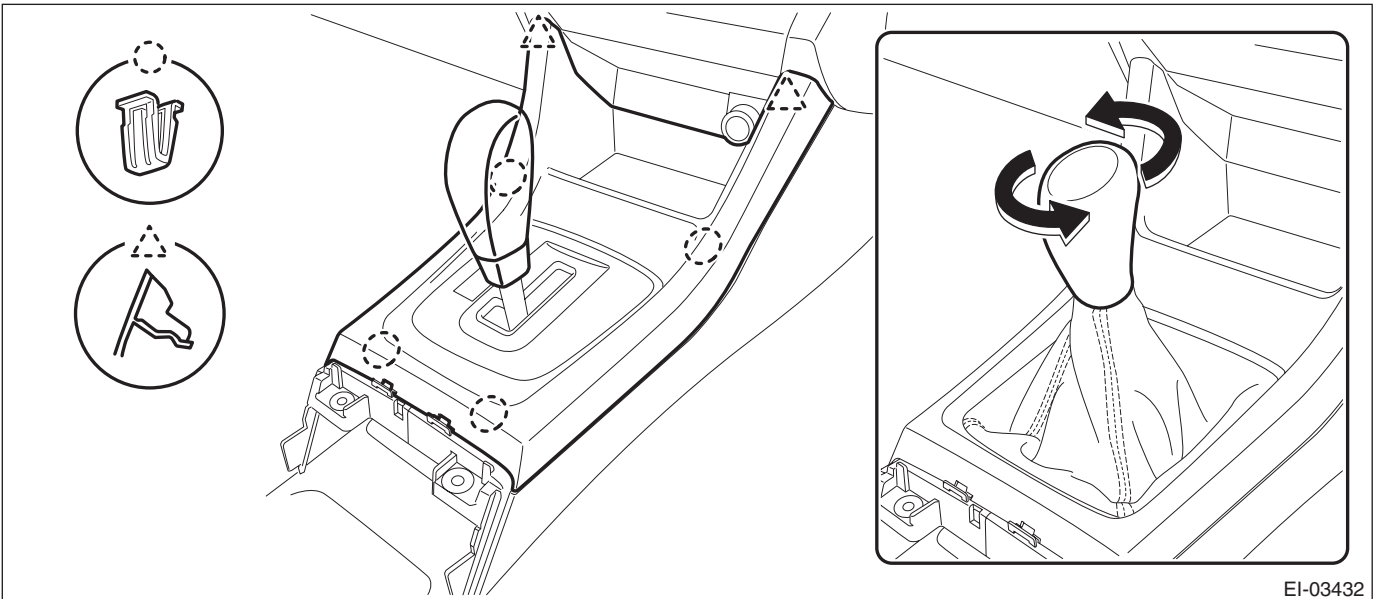
(3) Remove the screws, disconnect the harness connector and remove the console box assembly.



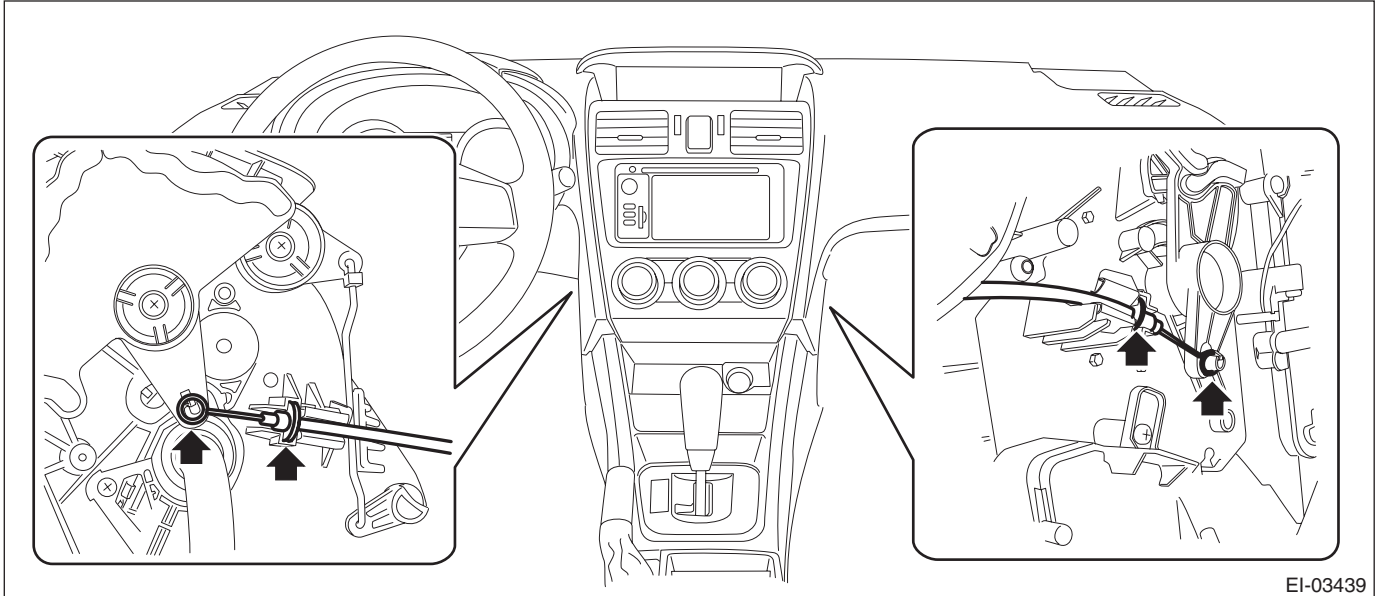
3) Remove the cover - shift lever.

(1) Remove the shift knob. (MT model)

(2) Release the clips and claws, then pull up the cover - shift lever.



4) On manual A/C models, disconnect the control cables from both sides of the heater & cooling unit.

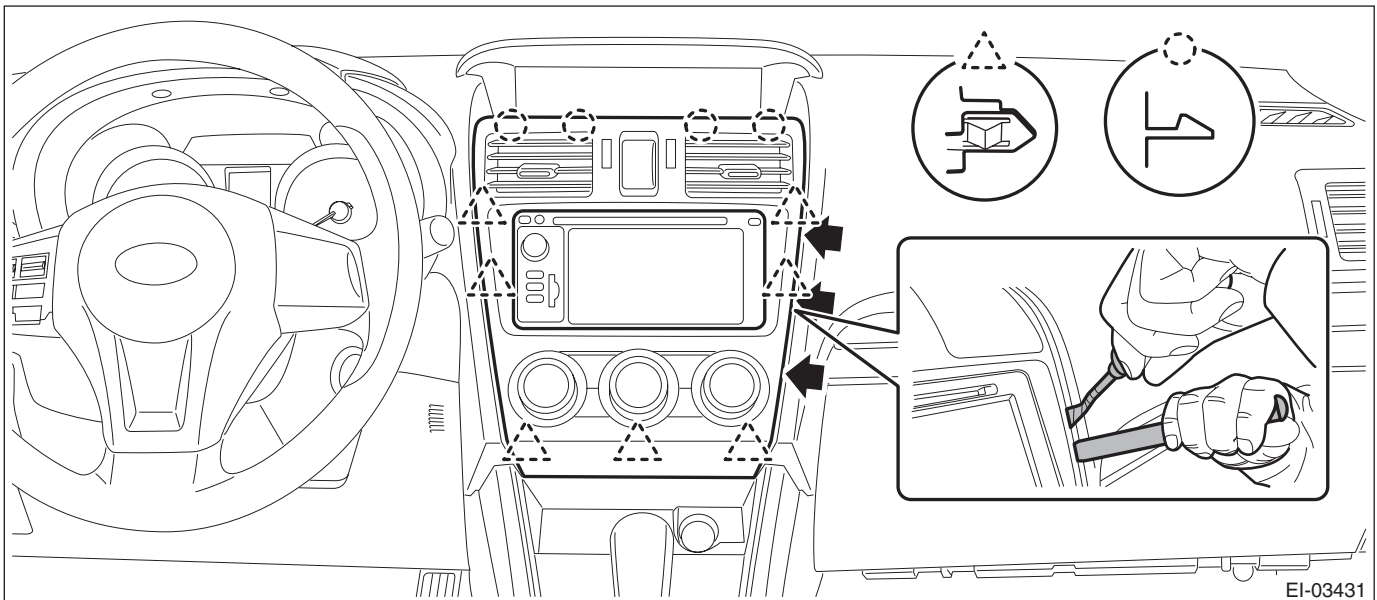


EI-03439

5) Remove the panel center assembly.

**CAUTION:**

- Do not put your finger on the fin of the air vent grille. Doing so may damage the fin.
  - Pull the panel center assembly slowly. Pulling with excessive force may damage the connector.
- (1) Insert a plastic remover to the three areas shown by the arrows, and lift up the panel center assembly slightly.
  - (2) With the panel center assembly lifted up slightly, release the claw by using a clip remover wrapped with protective tape.
  - (3) Release the rest of the claws, and pull out the panel center assembly.
  - (4) Disconnect the connectors, and remove the panel center assembly.



EI-03431

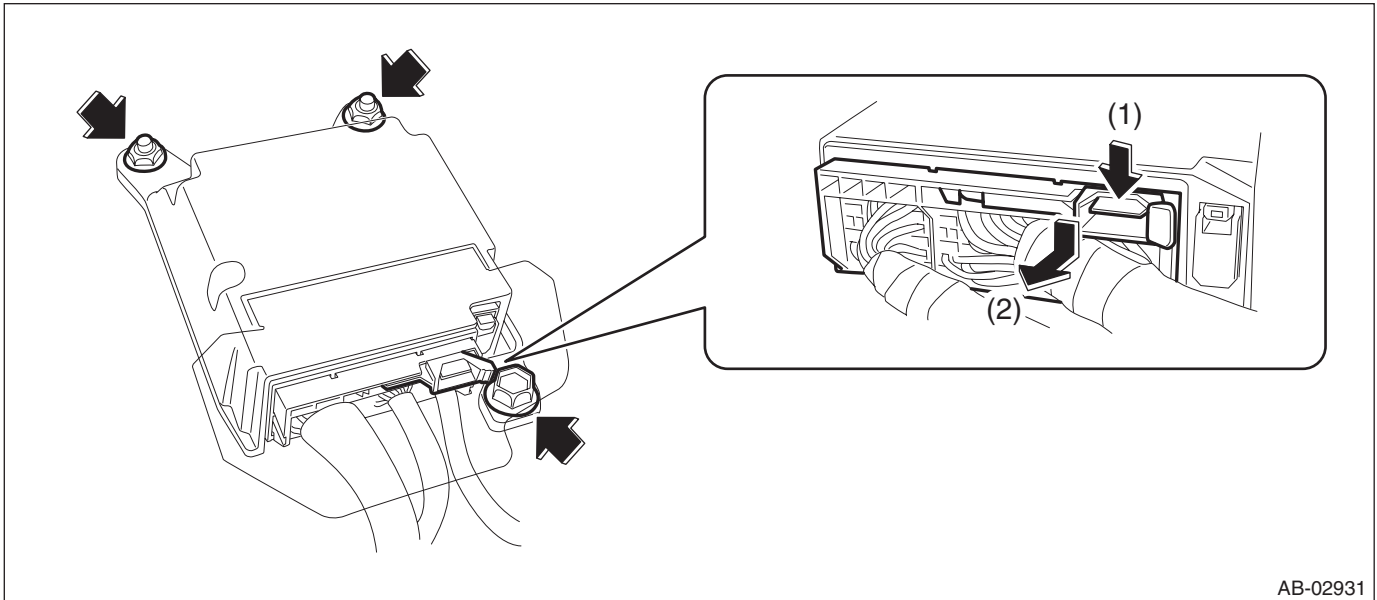
# Airbag Control Module

## AIRBAG SYSTEM

6) Remove the airbag control module.

(1) Disconnect the connector from airbag control module. <Ref. to AB-21, AIRBAG CONTROL MODULE, PROCEDURE, Airbag Connector.>

(2) Remove the bolt and nuts and remove the airbag control module.



AB-02931

## B: INSTALLATION

### CAUTION:

**Do not reuse the bolt and nut.**

**Always use new bolts and nuts for them.**

1) Before installation, inspect the following items and replace any faulty part with a new one.

- Control module is deformed.
- Control module connector is damaged.
- Control module mounting bracket is damaged.

2) Install each part in the reverse order of removal.

### Tightening torque:

**Airbag control module: 25 N·m (2.55 kgf-m, 18.4 ft-lb)**

**Console box assembly: 6.5 N·m (0.66 kgf-m, 4.8 ft-lb)**