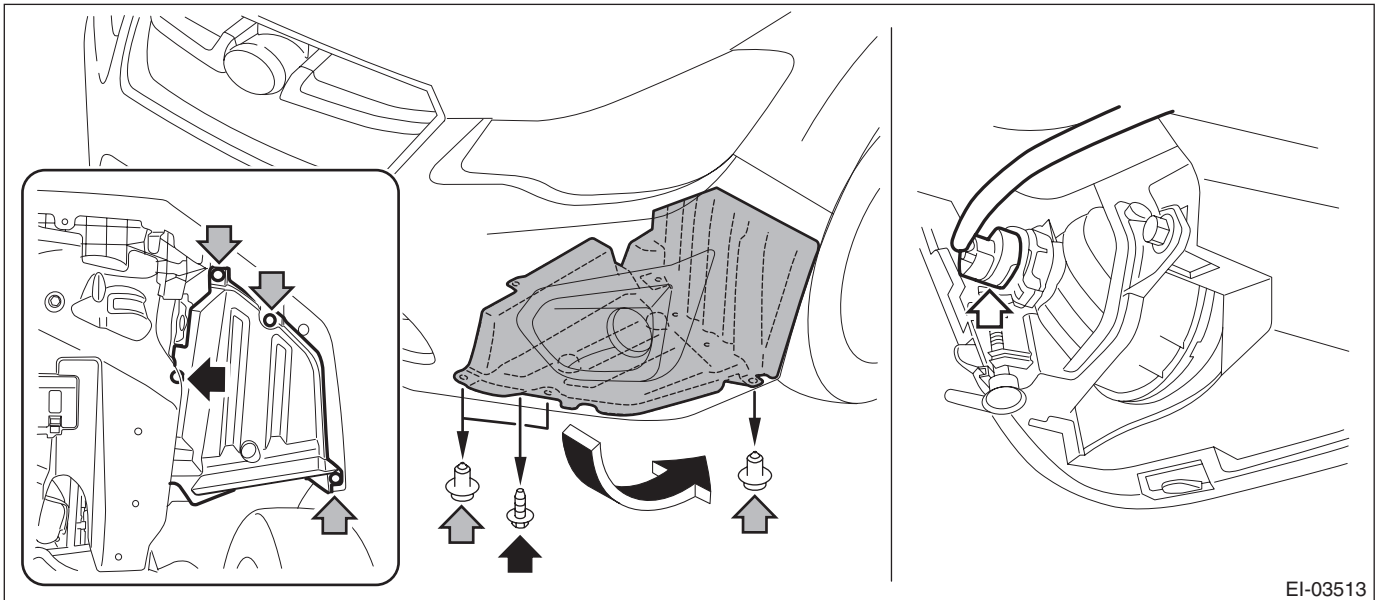


10. Front Sub Sensor

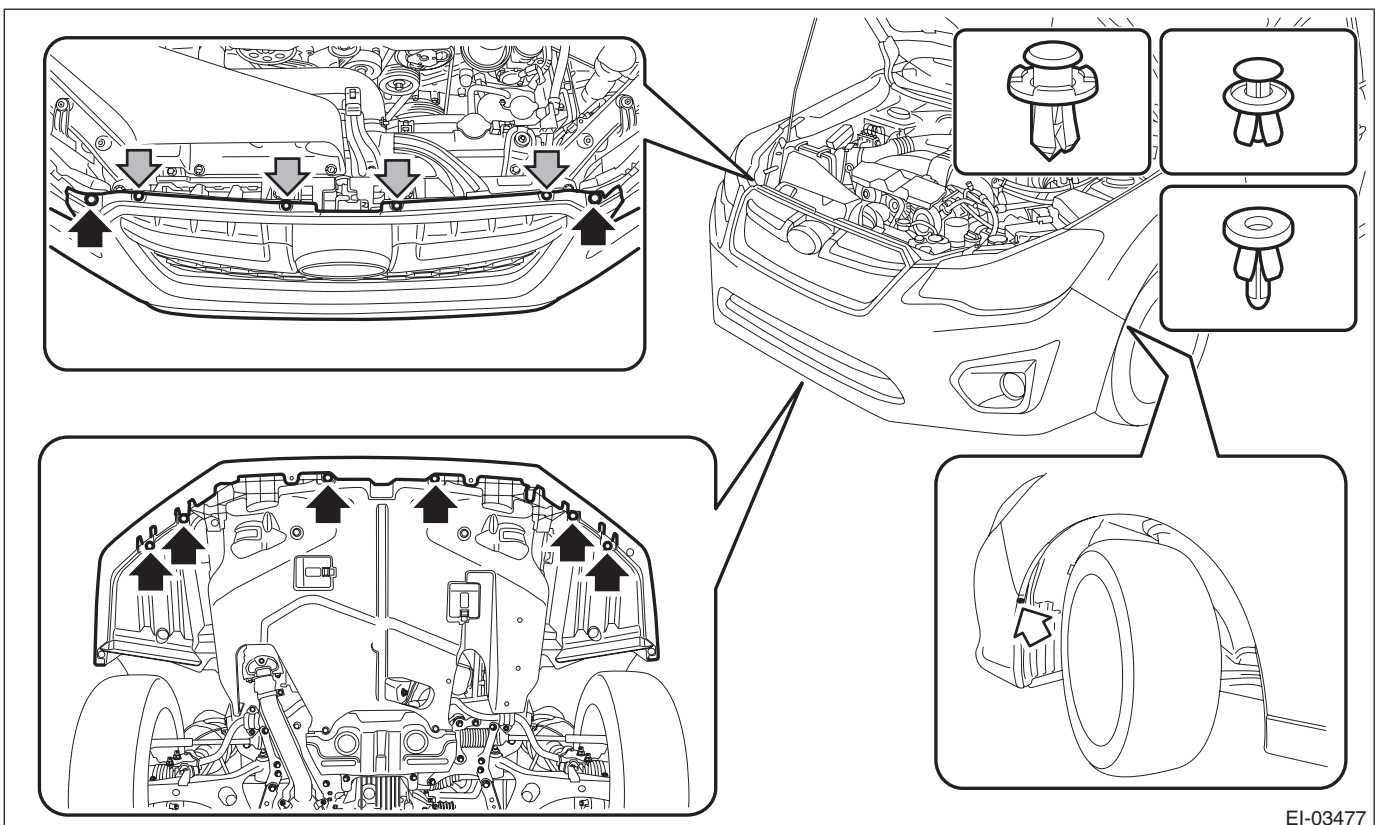
A: REMOVAL

- 1) Disconnect the ground cable from battery and wait for at least 60 seconds before starting work.
- 2) Remove the bumper face - front.
 - (1) Remove the screws and clips, and turn over the mud guard - front, and then disconnect the connectors of the fog light assembly - front on the LH and RH sides. (Model with fog light)



EI-03513

- (2) Remove the clips at the upper side of the bumper face - front.
- (3) Remove the clips from the fender.
- (4) Remove the clips at the lower side of the bumper face - front.



EI-03477

- (5) Apply protective tape (A) to the light assembly - head.

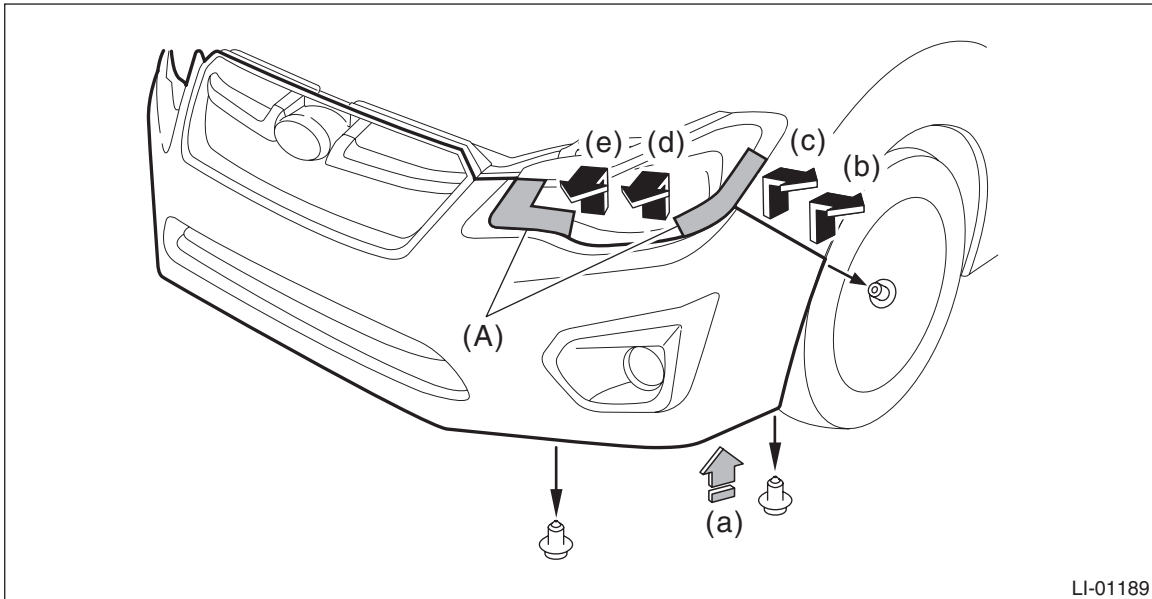
Front Sub Sensor

AIRBAG SYSTEM

(6) Release the clips, and while pushing up the lower side (a) of the bumper face - front, remove in the order from (b) to (e).

CAUTION:

Do not pull forcibly. It may damage the flange sections of the bumper face - front.

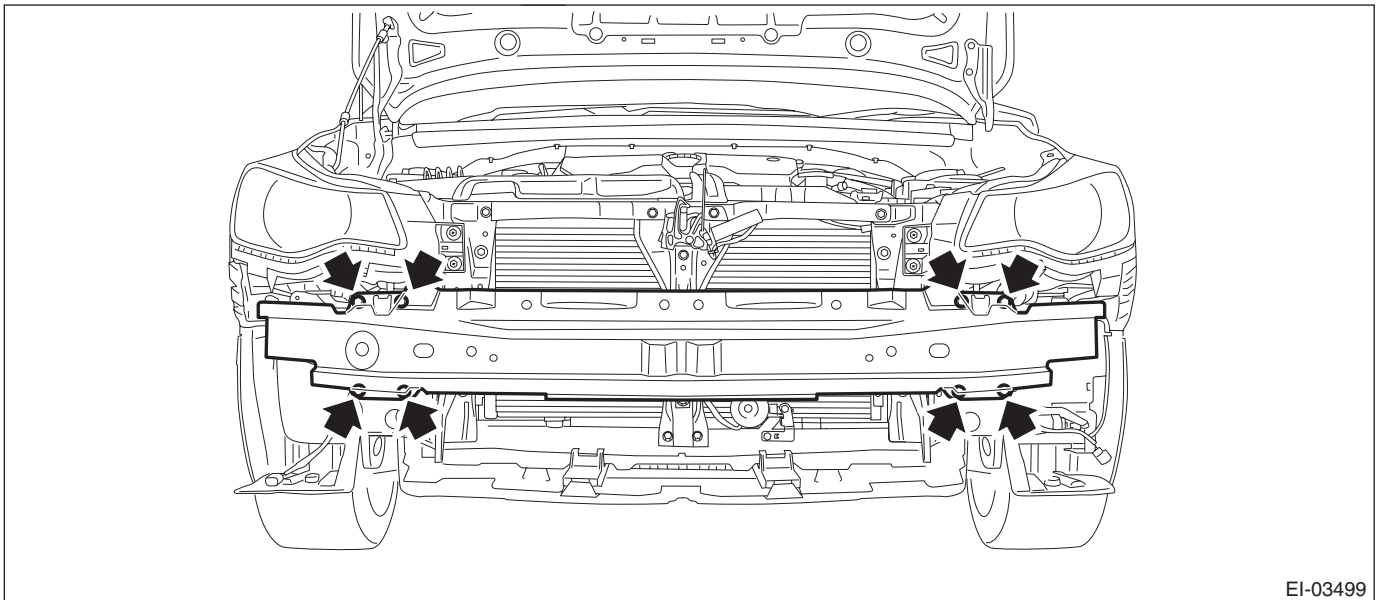


LI-01189

NOTE:

Detach the opposite side in the same manner.

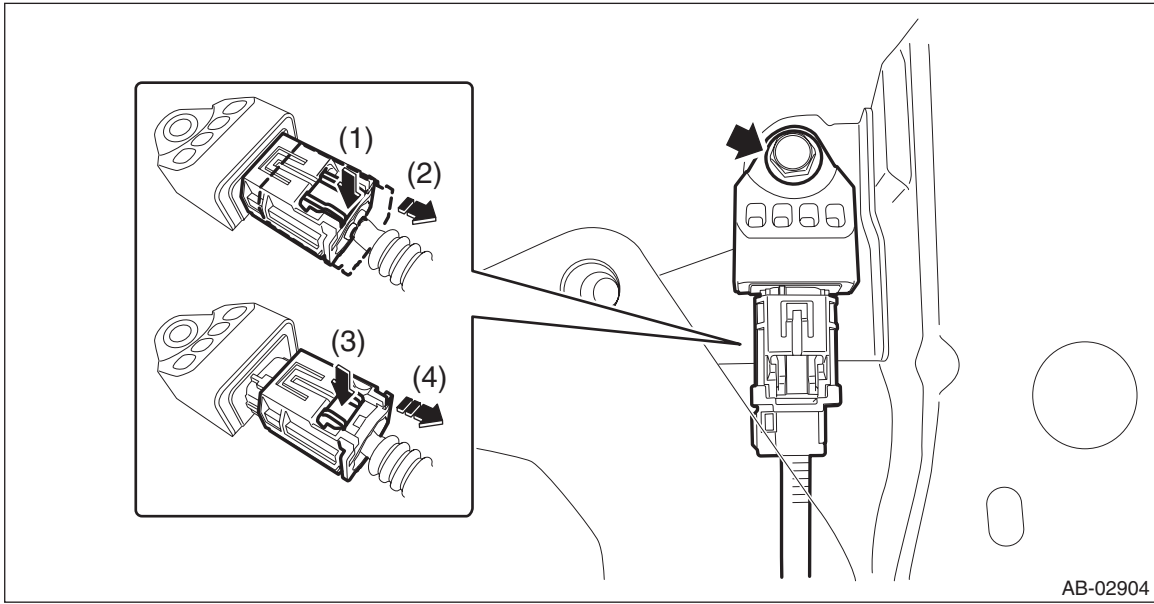
3) Remove the bolts, and remove the bumper beam COMPL - front.



EI-03499

Front Sub Sensor

4) Remove the bolt, and then detach the front sub sensor. <Ref. to AB-25, FRONT SUB SENSOR, PROCEDURE, Airbag Connector.>



AB-02904

Front Sub Sensor

AIRBAG SYSTEM

B: INSTALLATION

CAUTION:

- If the airbag has been activated, replace the front sub sensor with a new part.
- Do not reuse the bolt and nut.

Always replace with the specified new bolts and nuts.

- When installing the sensor, insert the set pin on the backside of the sensor into the hole on the body side securely.

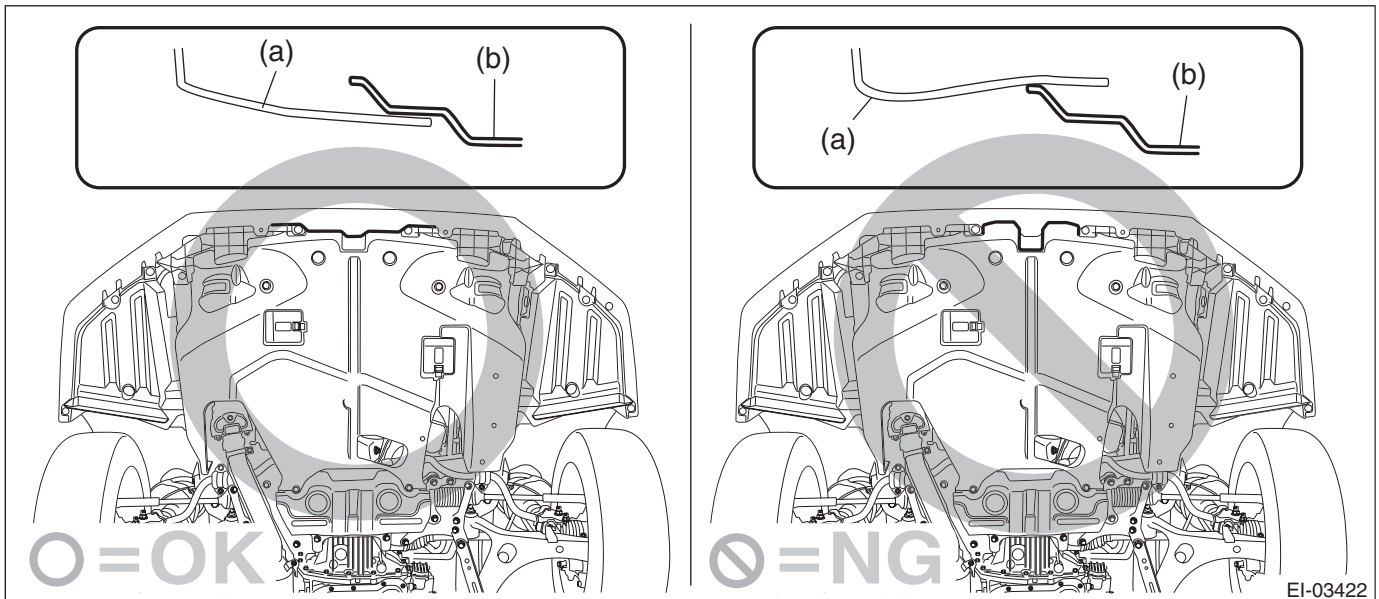
1) Before installation, inspect the following items and replace any faulty part with a new part.

- Front sub sensor damage
- Connector damage

2) Install each part in the reverse order of removal.

CAUTION:

Install the bumper face so that the under cover front end (b) comes inside the front bumper face (a).



Tightening torque:

Front sub sensor: 13 N·m (1.33 kgf-m, 9.6 ft-lb)

Bumper beam COMPL - front: 32 N·m (3.36 kgf-m, 24.3 ft-lb)