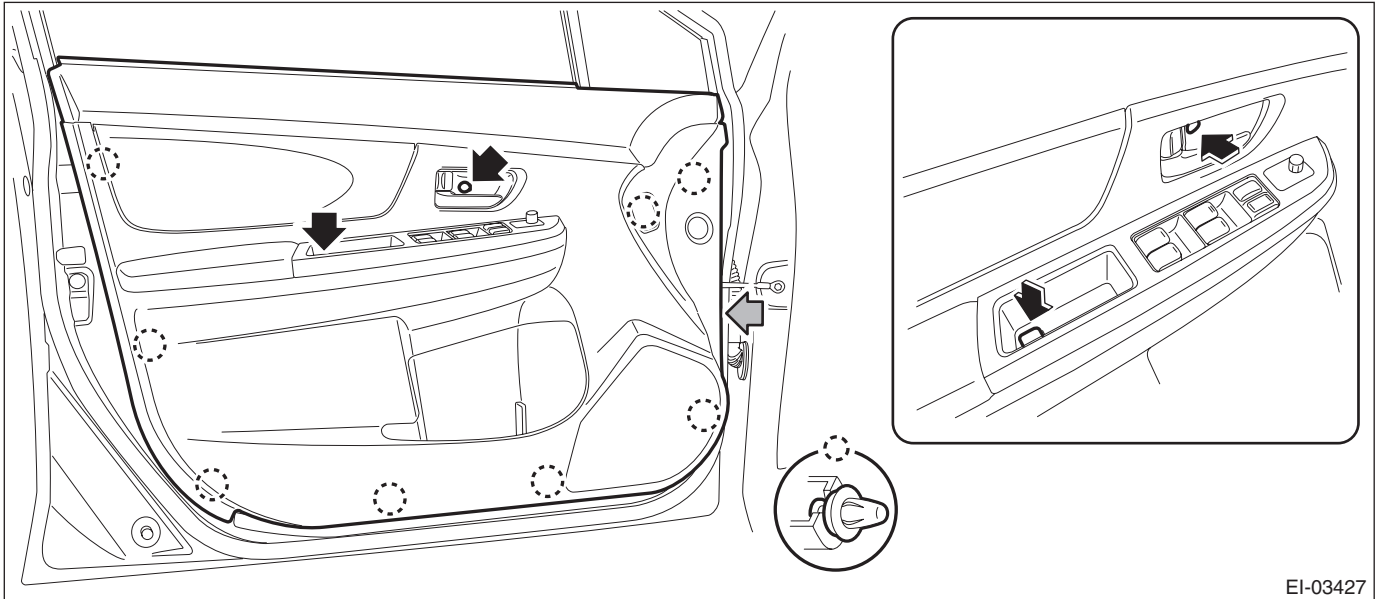


11. Front Door Impact Sensor

A: REMOVAL

- 1) Operate the power window switch to close the front door glass.
- 2) Turn the ignition switch to OFF.
- 3) Disconnect the ground cable from battery and wait for at least 60 seconds before starting work.
- 4) Remove the trim panel - front door.
 - (1) Open the cover and remove the screw.
 - (2) Remove the clips, and remove the trim panel - front door from the door panel.

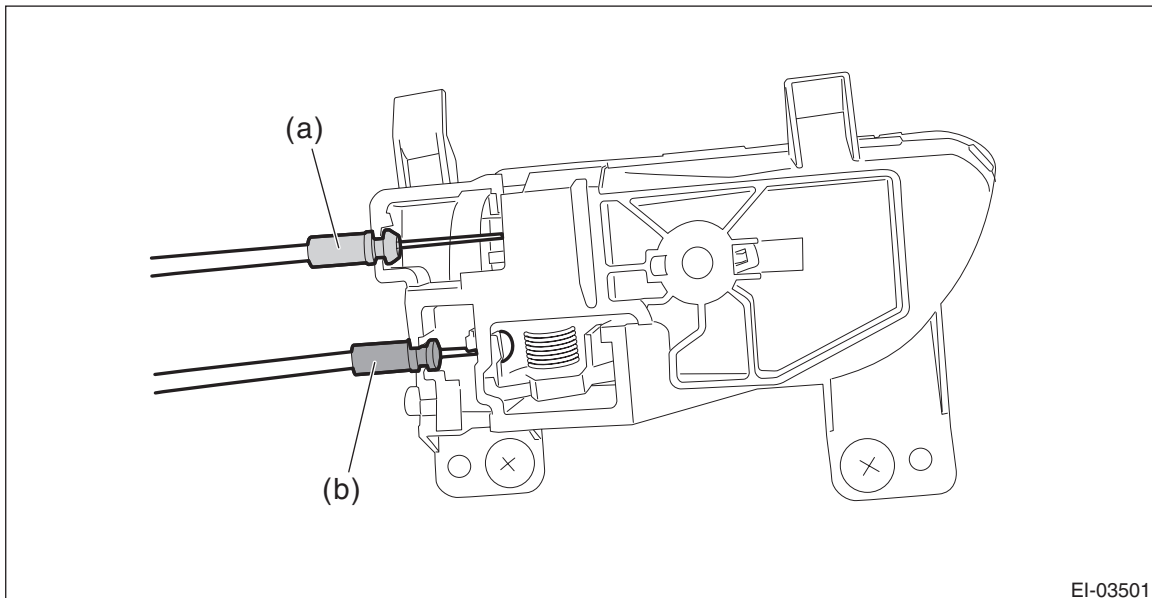


EI-03427

NOTE:

It is easier to remove the door trim if the removal is performed from the gray arrow section.

- (3) Detach the door lock cable (a) and door open cable (b) from the remote assembly - door.



EI-03501

- (4) Disconnect the harness connector and remove the trim panel - front door.

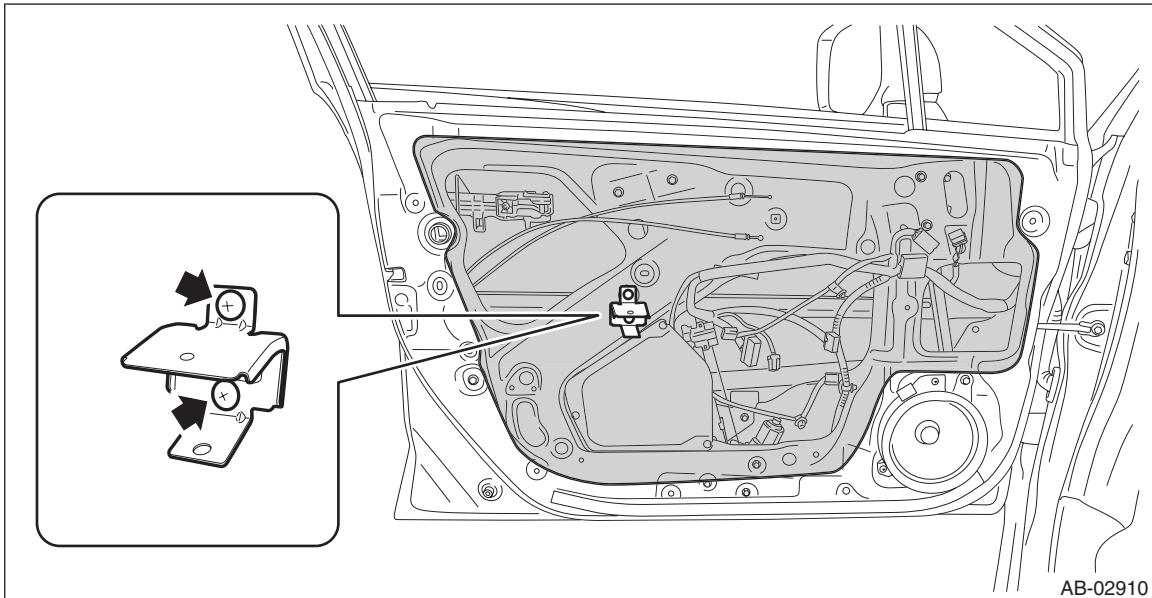
Front Door Impact Sensor

AIRBAG SYSTEM

5) Remove the sealing cover.

CAUTION:

- Carefully remove the butyl tape. Excessive force will easily break the cover.
- If the sealing cover gets broken, replace it with a new part.
 - (1) Remove the screw to remove the bracket - door trim.
 - (2) Carefully remove the butyl tape to remove the sealing cover - front door.



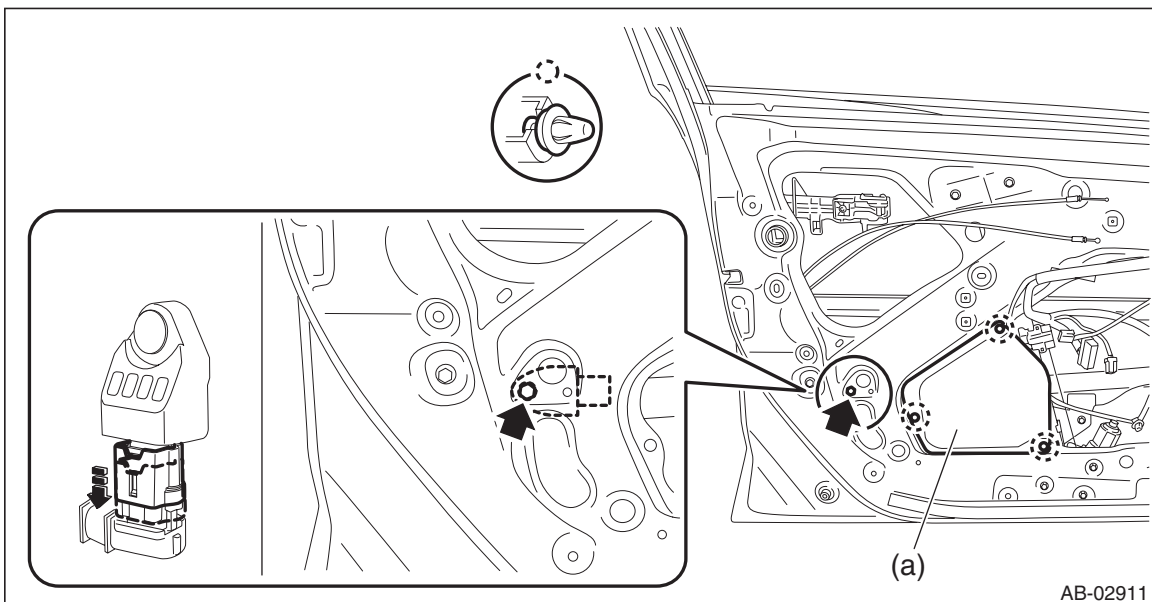
6) Remove the front door impact sensor.

- (1) Remove the front door inner pad (a).

CAUTION:

If the clip is damaged, replace it with a new part because the panel assembly - front door may be deformed.

- (2) Remove the nuts and then remove the front door impact sensor.
- (3) Disconnect the airbag connector and remove the front door impact sensor. <Ref. to AB-27, FRONT DOOR IMPACT SENSOR AND SATELLITE SAFING SENSOR, PROCEDURE, Airbag Connector.>



B: INSTALLATION

CAUTION:

Do not reuse the bolt and nut.

Always replace with the specified new bolts and nuts.

1) Before installation, inspect the following items and replace any faulty part with a new part.

- The front door impact sensor or connector is damaged.
- Inner panel area of the panel assembly - front door is deformed.
- Side airbag module has been activated.

Tightening torque:

Front door impact sensor: 7.5 N·m (0.76 kgf-m, 5.5 ft-lb)

2) Install each part in the reverse order of removal.