

12.Side Airbag Sensor

A: REMOVAL

CAUTION:

- Airbag system satellite safing sensor is located in the lower of the rear seat cushion center. Before removing the rear seat, refer to “CAUTION” of “General Description” in “AIRBAG SYSTEM” section. <Ref. to AB-11, CAUTION, General Description.>
- The airbag system is fitted with a backup power supply. After disconnecting the battery ground cable, the airbag may operate if you do not wait for 60 seconds before starting the service of airbag system.

1) Move the seat all the way forward, from which the side airbag sensor is to be removed.

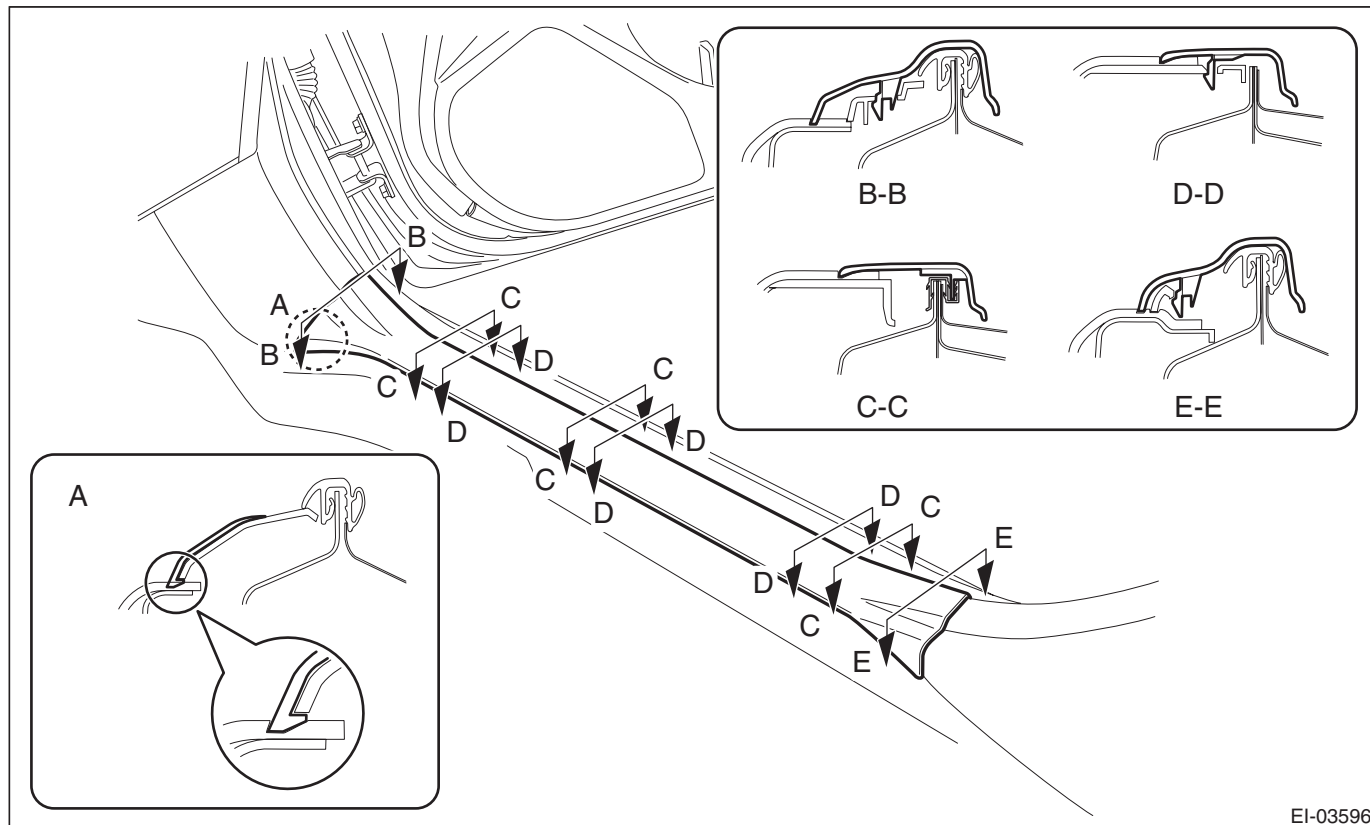
NOTE:

This is to remove the seat belt retractor assembly.

- 2) Turn the ignition switch to OFF.
- 3) Disconnect the ground cable from battery and wait for at least 60 seconds before starting work.
- 4) Release the claws, and then remove the cover side sill - front INN. (On the side where the side airbag sensor is removed)

CAUTION:

Do not pull with excessive force. Doing so may damage the claws of the cover side sill - front INN.



EI-03596

5) Remove the rear seat cushion assembly.

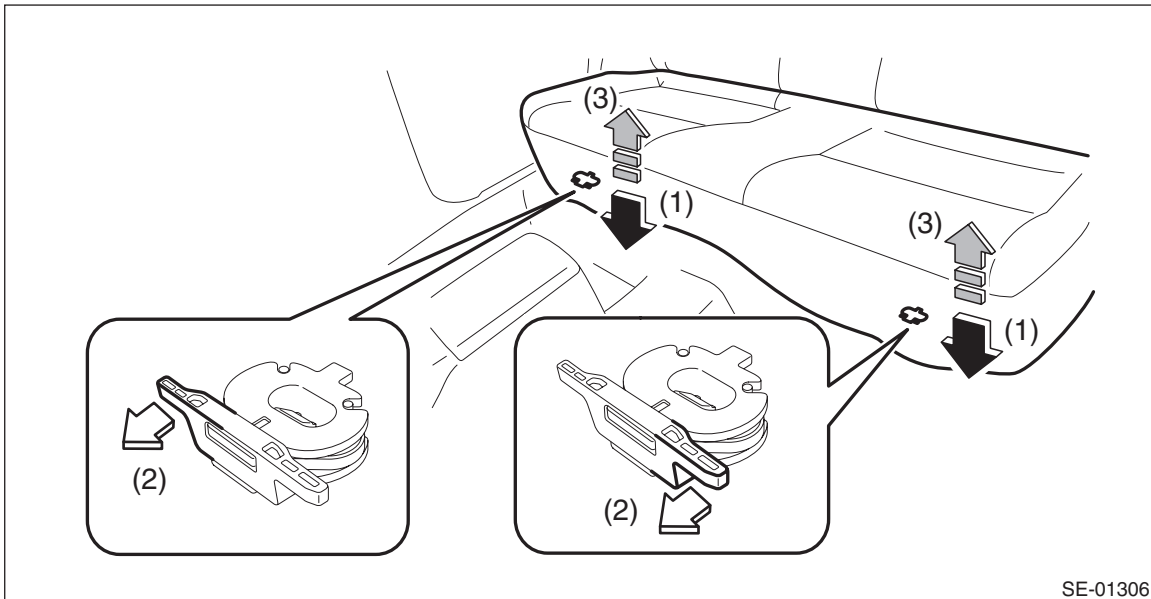
(1) Push the corners of the rear seat cushion from above.

(2) While pushing the corners of the rear seat cushion from above, pull the knob of the hook - seat cushion rear towards yourself.

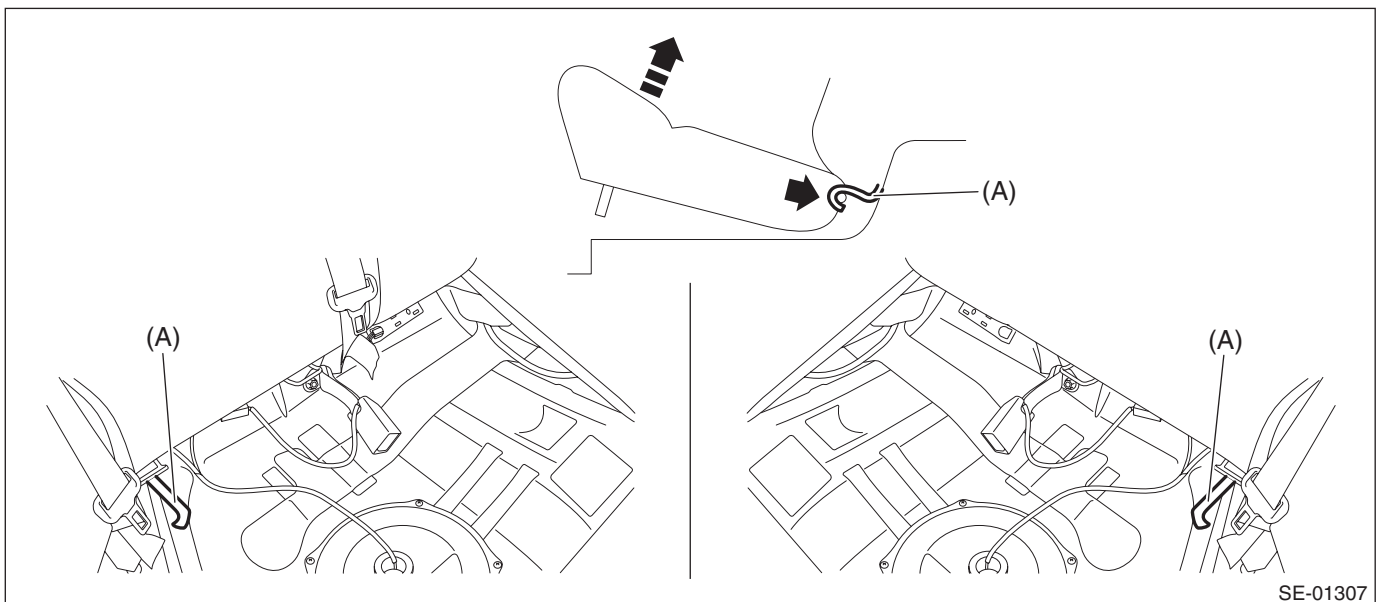
(3) While pulling the knob towards yourself, disconnect the hooks by lifting up the rear seat cushion.

NOTE:

Pull the left side of the knob to disconnect the LH side hook, and pull the right side of the knob to disconnect the RH side hook.



(4) Remove the hook (A) by pushing it back while lifting the front side of the rear seat cushion, and remove the rear seat cushion.



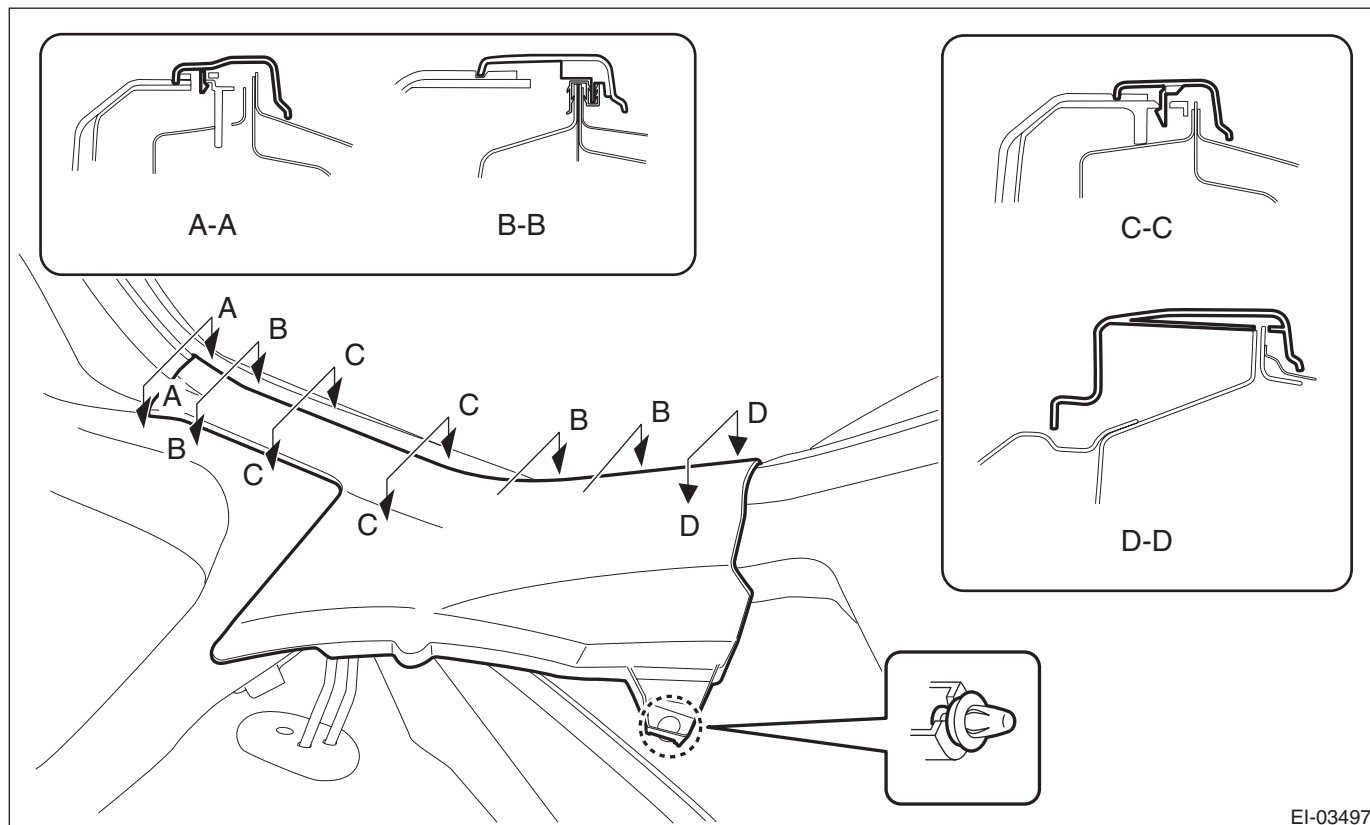
Side Airbag Sensor

AIRBAG SYSTEM

6) Release the clips and claws, and then remove the cover side sill - rear INN. (On the side where the side airbag sensor is removed)

CAUTION:

Do not pull with excessive force. Doing so may damage the claws of the cover side sill - rear INN.



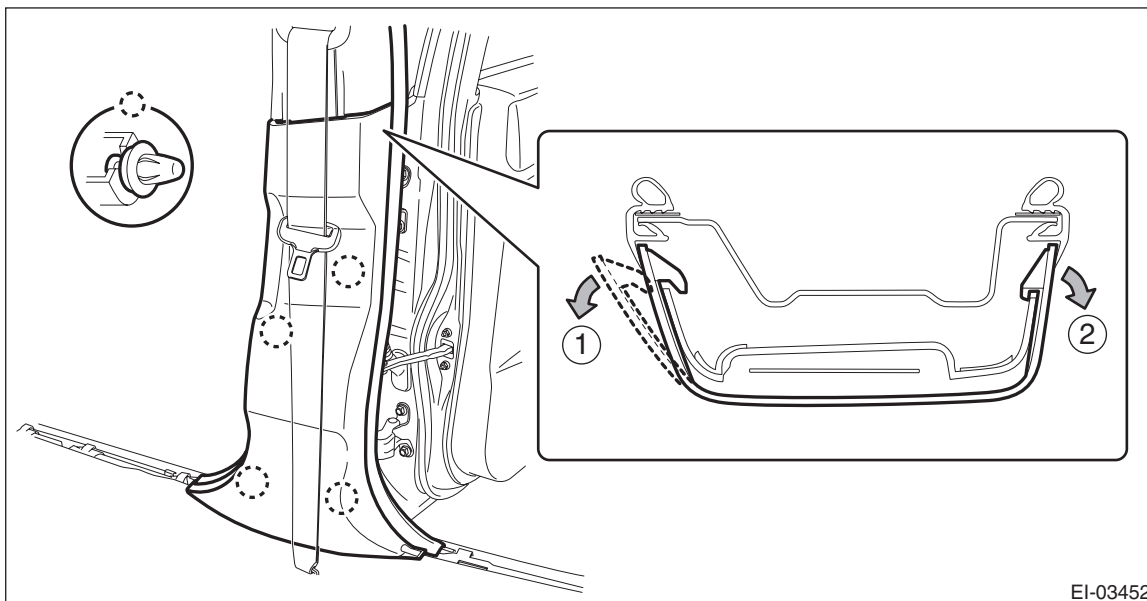
7) Remove the trim panel - center pillar LWR. (On the side where the side airbag sensor is removed)

(1) Release the clip by pulling the trim panel - center pillar LWR toward you.

(2) Expand the claws of the trim panel - center pillar LWR outward, and remove it from the trim panel - center pillar UPR.

CAUTION:

Do not expand the trim panel - center pillar LWR excessively. Doing so may damage the trim.



NOTE:

First release the claw located to the front of the vehicle.

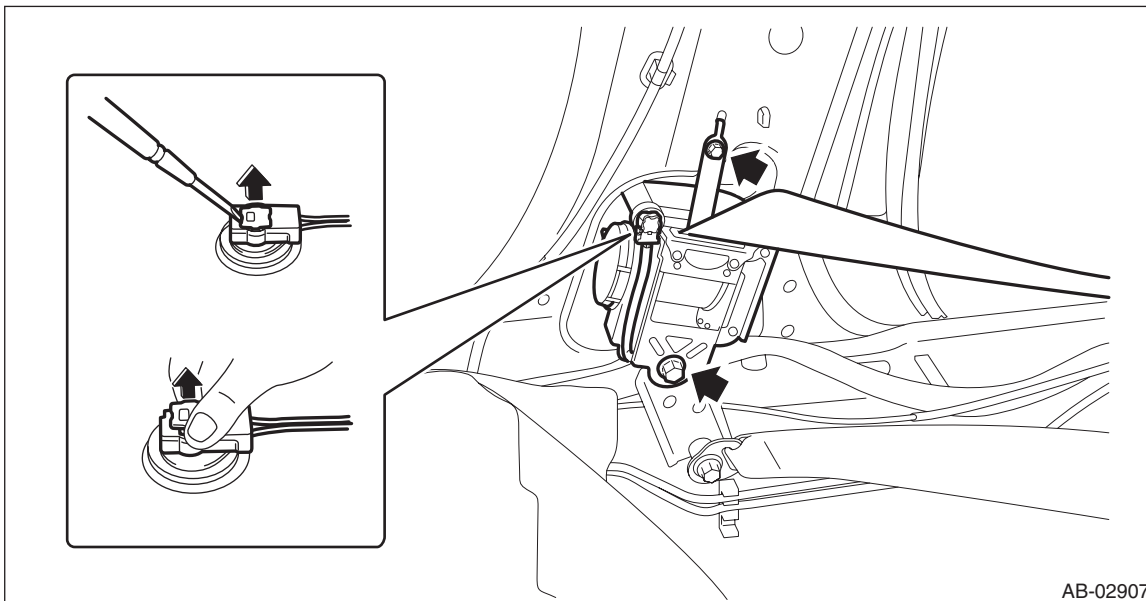
8) Remove the seat belt retractor. (On the side where the side airbag sensor is removed)

(1) Turn over the floor mat to disconnect the belt tension sensor connector. <Ref. to AB-24, DRIVER'S AIRBAG MODULE, CURTAIN AIRBAG MODULE & PRETENSIONER, PROCEDURE, Airbag Connector.>

NOTE:

For XV model, disconnect the connector of the passenger's lap seat belt pretensioner.

(2) Remove the bolt to remove the seat belt retractor.

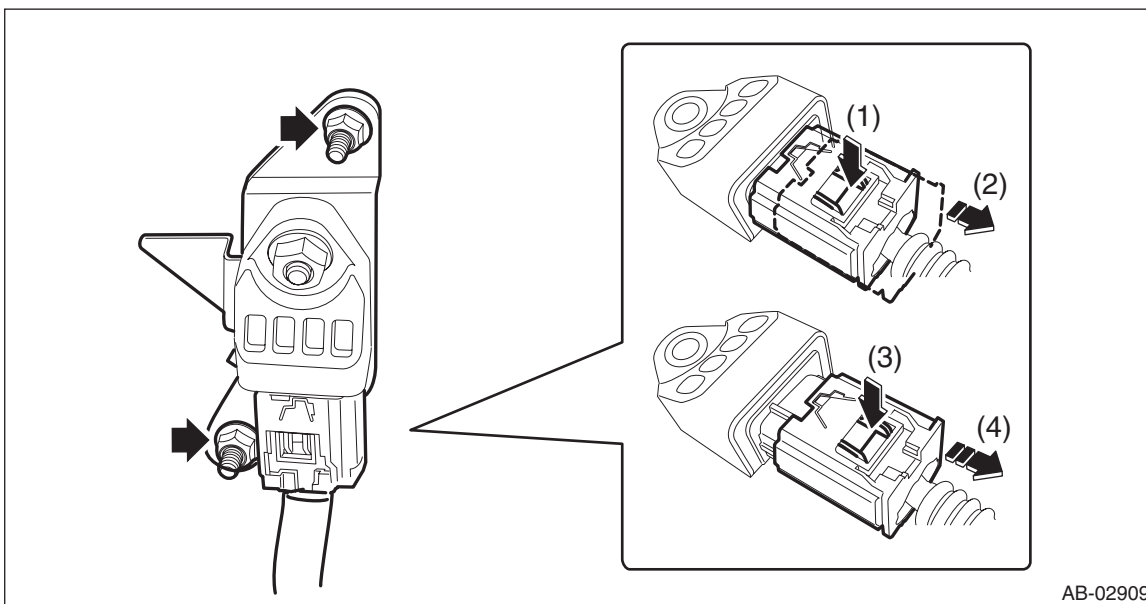


AB-02907

9) Remove the nuts and then remove the side airbag sensor. <Ref. to AB-29, SIDE AIRBAG SENSOR AND CURTAIN AIRBAG SENSOR, PROCEDURE, Airbag Connector.>

CAUTION:

- Do not separate the side airbag sensor and bracket. It causes the airbag system malfunction.
- If the sensor is removed from the bracket, be sure to replace with a new part.



AB-02909

Side Airbag Sensor

AIRBAG SYSTEM

B: INSTALLATION

CAUTION:

Do not reuse the bolt and nut.

Always replace with the specified new bolts and nuts.

1) Before installation, inspect the following items and replace any faulty part with a new part.

- The side airbag sensor, sensor bracket, or connector are damaged.
- Side airbag module has been activated.

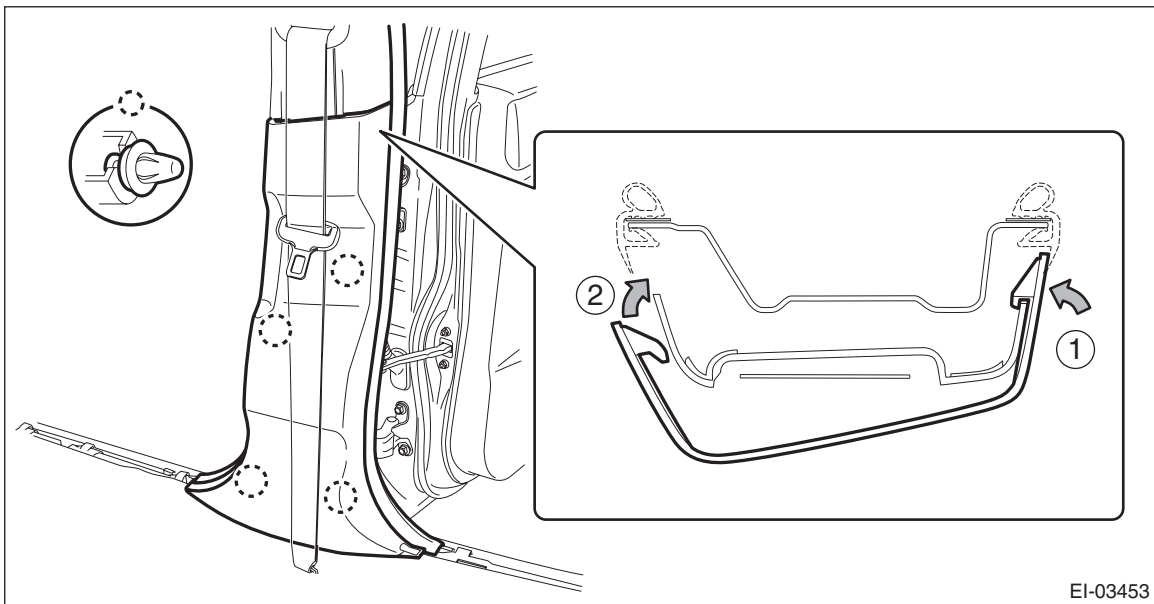
Tightening torque:

Side airbag sensor: 7.5 N·m (0.76 kgf·m, 5.5 ft·lb)

2) Install each part in the reverse order of removal.

NOTE:

Assemble the trim panel - center pillar LWR to the trim panel - center pillar UPR securely.



EI-03453

Tightening torque:

Front seat belt: <Ref. to SB-2, FRONT SEAT BELT, COMPONENT, General Description.>