

13. Curtain Airbag Sensor

A: REMOVAL

1. 4 DOOR MODEL

1) Disconnect the ground cable from battery and wait for at least 60 seconds before starting work.

CAUTION:

- Airbag system satellite safing sensor is located in the lower of the rear seat cushion center. Before removing the rear seat, refer to “CAUTION” of “General Description” in “AIRBAG SYSTEM” section. <Ref. to AB-11, CAUTION, General Description.>
- The airbag system is fitted with a backup power supply. After disconnecting the battery ground cable, the airbag may operate if you do not wait for 60 seconds before starting the service of airbag system.

2) Remove the rear seat cushion assembly.

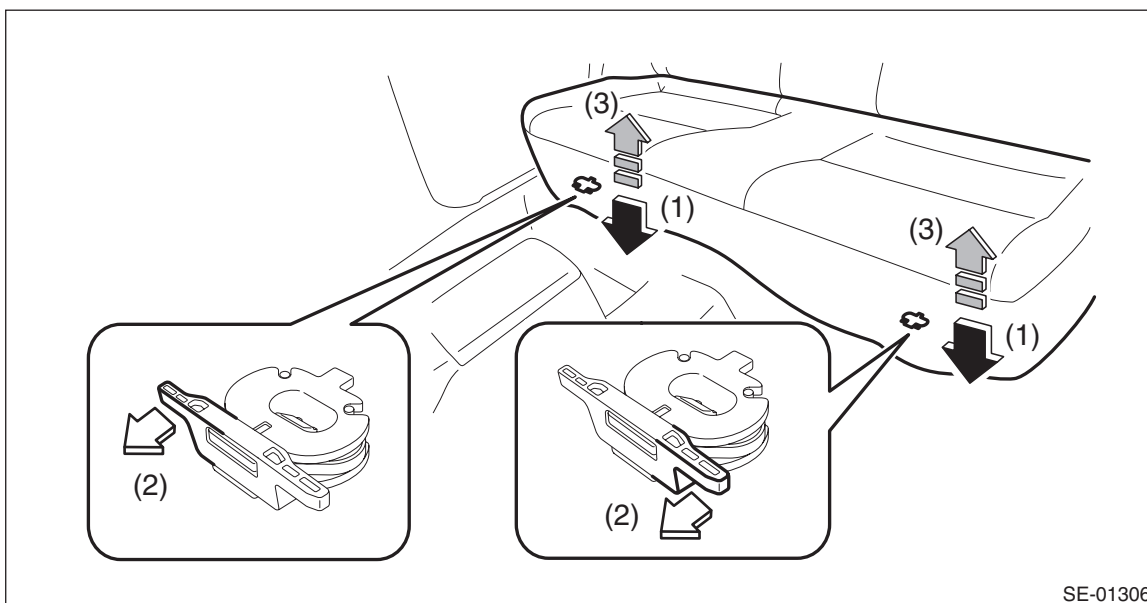
(1) Push the corners of the rear seat cushion from above.

(2) While pushing the corners of the rear seat cushion from above, pull the knob of the hook - seat cushion rear towards yourself.

(3) While pulling the knob towards yourself, disconnect the hooks by lifting up the rear seat cushion.

NOTE:

Pull the left side of the knob to disconnect the LH side hook, and pull the right side of the knob to disconnect the RH side hook.

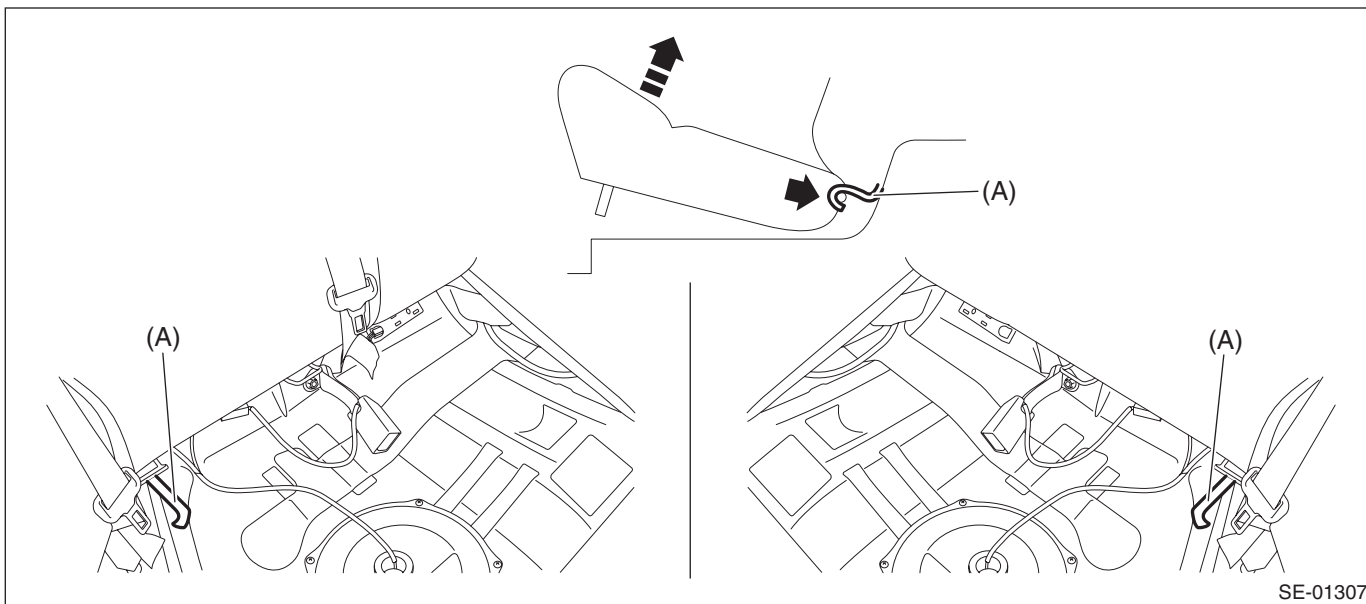


SE-01306

Curtain Airbag Sensor

AIRBAG SYSTEM

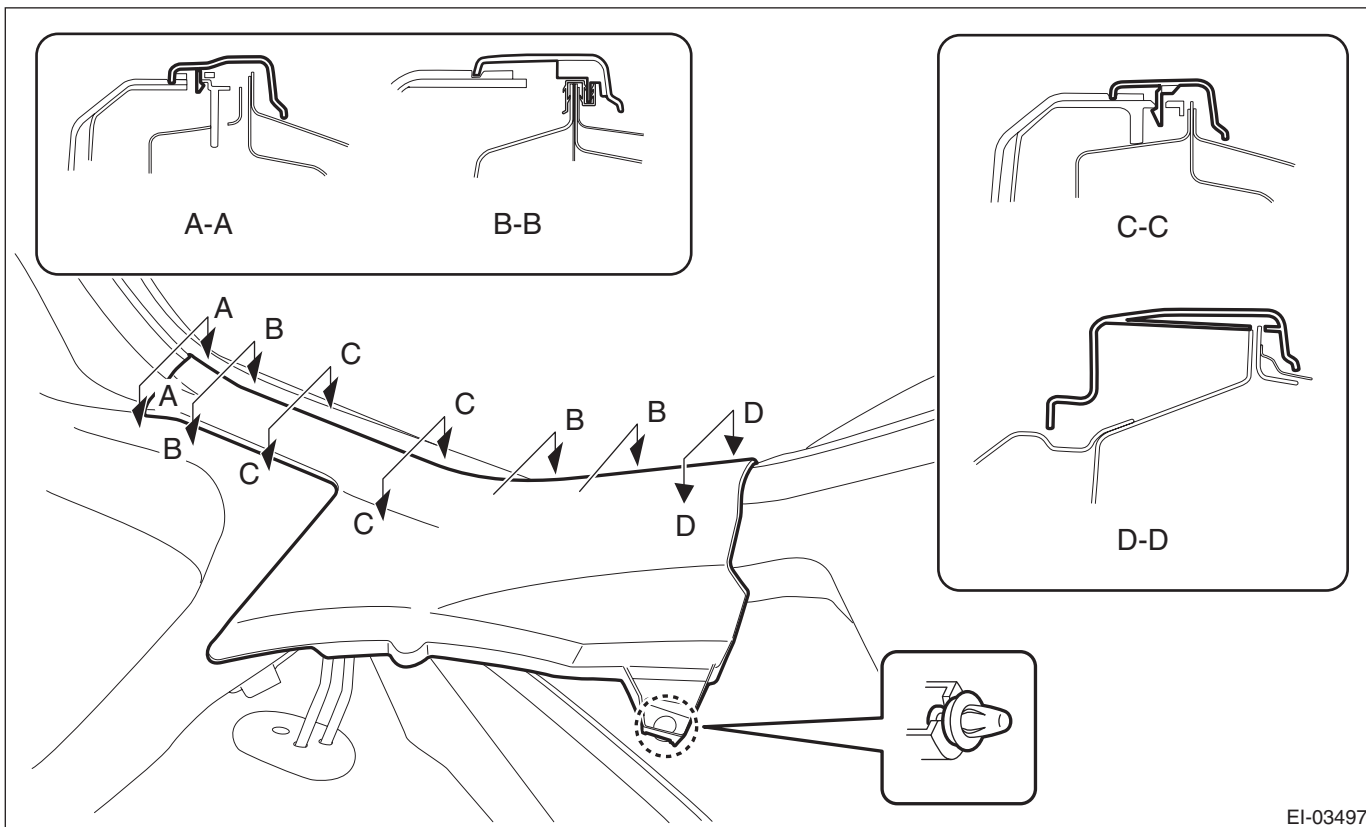
(4) Remove the hook (A) by pushing it back while lifting the front side of the rear seat cushion, and remove the rear seat cushion.



3) Release the clips and claws, and then remove the cover side sill - rear INN.

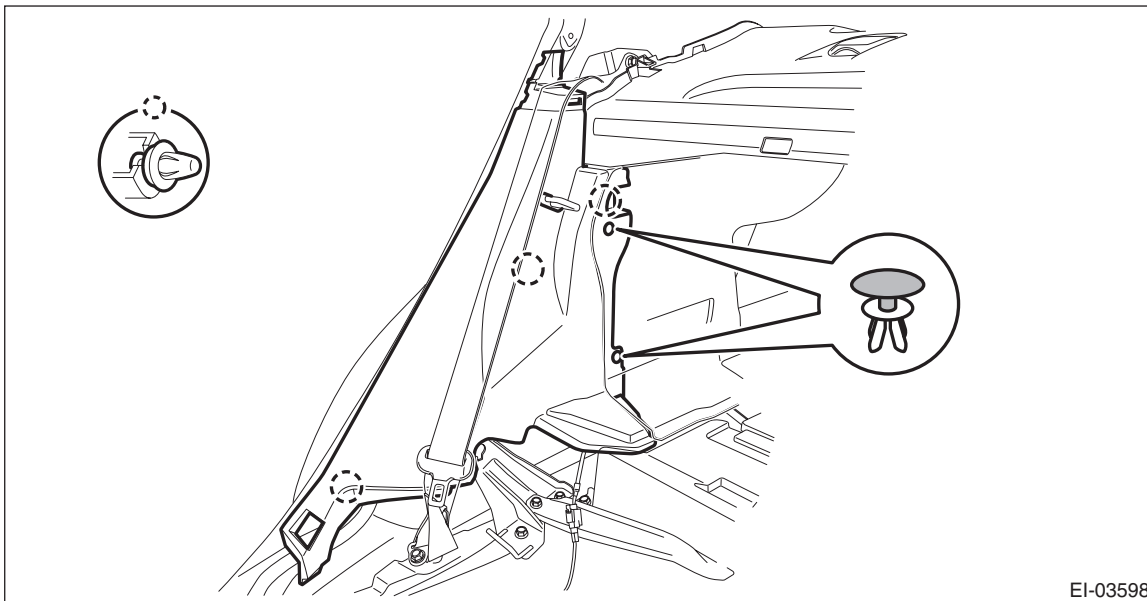
CAUTION:

Do not pull with excessive force. Doing so may damage the claws of the cover side sill - rear INN.

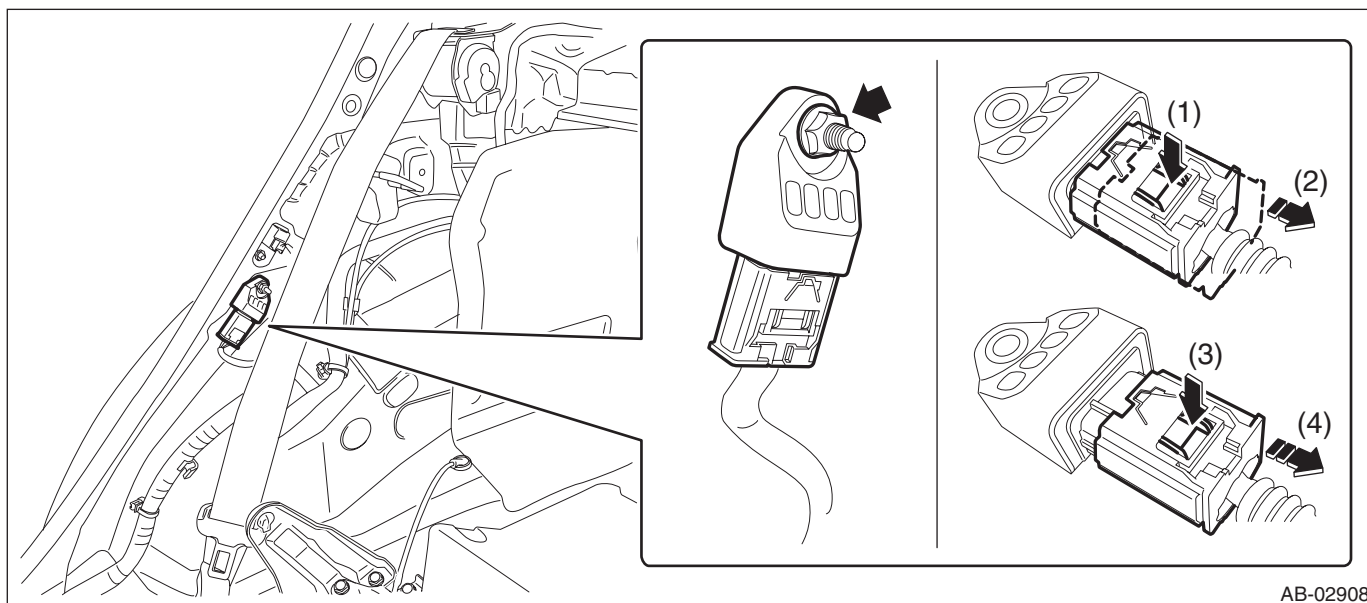


Curtain Airbag Sensor

- 4) Remove the trim panel - rear pillar LWR. (On the side where the curtain airbag sensor is removed)
- (1) Remove the clips, and turn over the trim panel - trunk side.
 - (2) Remove the clips, and remove the trim panel - rear pillar LWR.



- 5) Remove the nuts and then remove the curtain airbag sensor. <Ref. to AB-29, SIDE AIRBAG SENSOR AND CURTAIN AIRBAG SENSOR, PROCEDURE, Airbag Connector.>



Curtain Airbag Sensor

AIRBAG SYSTEM

2. 5 DOOR MODEL/XV MODEL

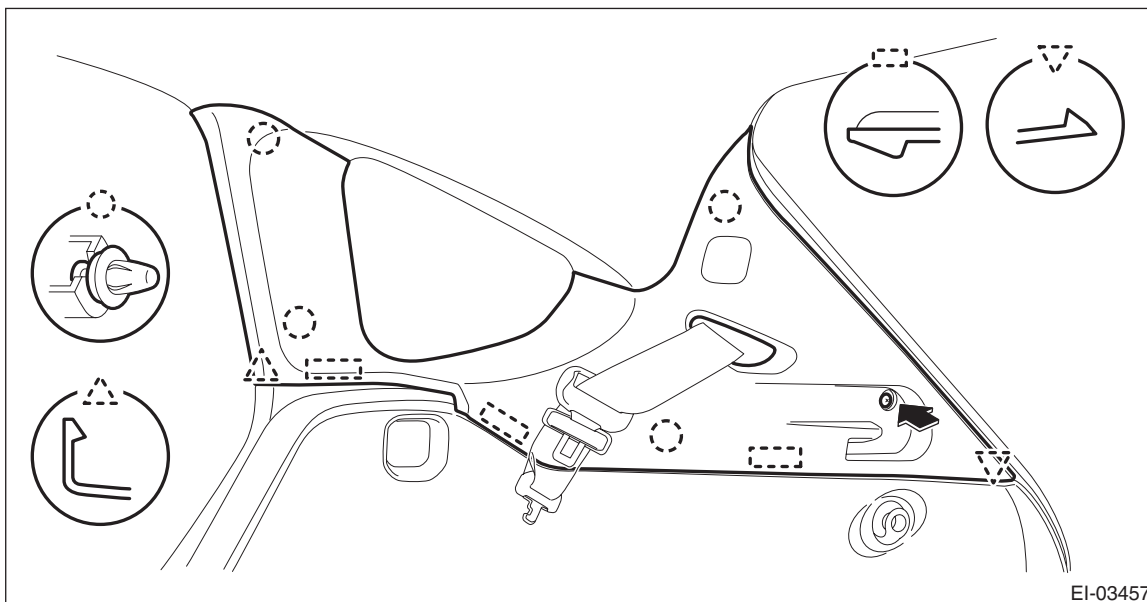
1) Disconnect the ground cable from battery and wait for at least 60 seconds before starting work.

CAUTION:

- Airbag system satellite safing sensor is located in the lower of the rear seat cushion center. Before removing the rear seat, refer to “CAUTION” of “General Description” in “AIRBAG SYSTEM” section. <Ref. to AB-11, CAUTION, General Description.>

- The airbag system is fitted with a backup power supply. After disconnecting the battery ground cable, the airbag may operate if you do not wait for 60 seconds before starting the service of airbag system.

2) Remove the screws and clips, and remove the trim panel - rear quarter pillar UPR. (On the side where the curtain airbag sensor is removed)



3) Remove the rear seat cushion assembly.

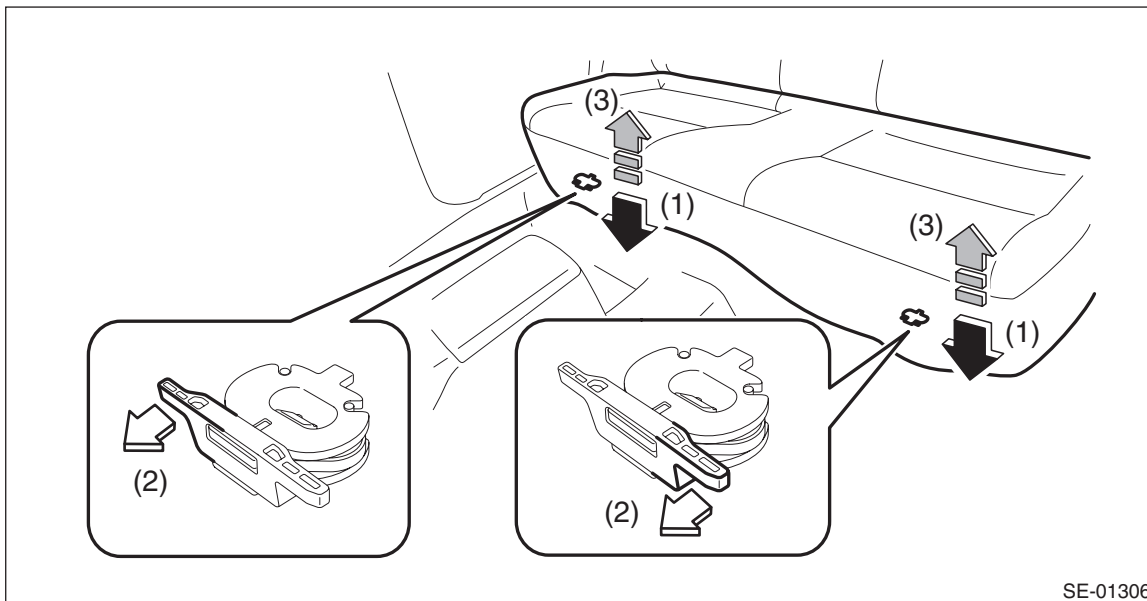
(1) Push the corners of the rear seat cushion from above.

(2) While pushing the corners of the rear seat cushion from above, pull the knob of the hook - seat cushion rear towards yourself.

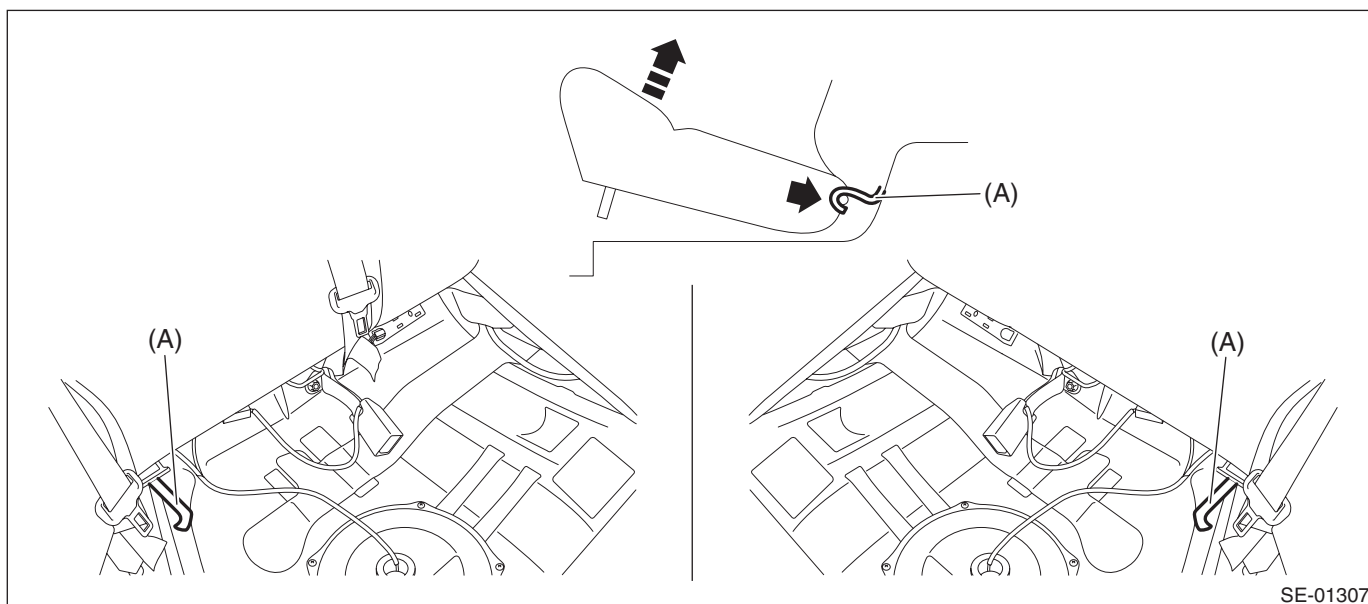
(3) While pulling the knob towards yourself, disconnect the hooks by lifting up the rear seat cushion.

NOTE:

Pull the left side of the knob to disconnect the LH side hook, and pull the right side of the knob to disconnect the RH side hook.



(4) Remove the hook (A) by pushing it back while lifting the front side of the rear seat cushion, and remove the rear seat cushion.



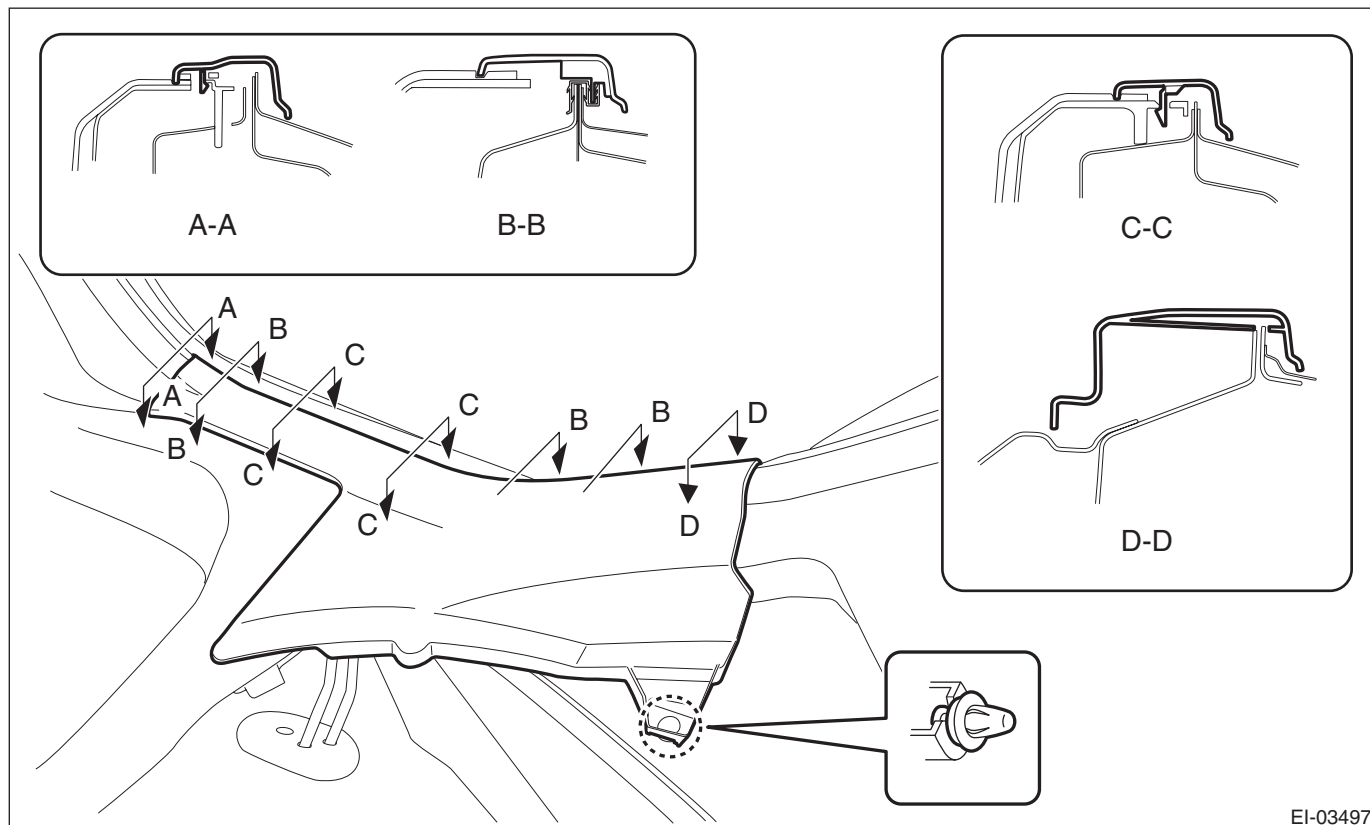
Curtain Airbag Sensor

AIRBAG SYSTEM

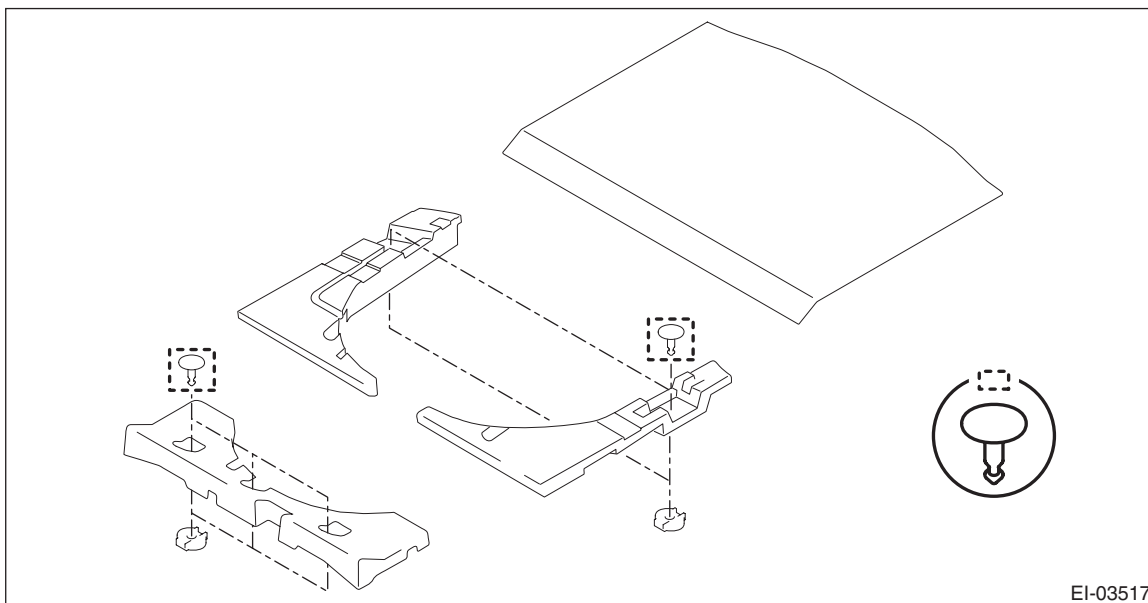
4) Release the clips and claws, and remove the side sill covers - rear INN on the left and right sides. (On the side where the curtain airbag sensor is removed)

CAUTION:

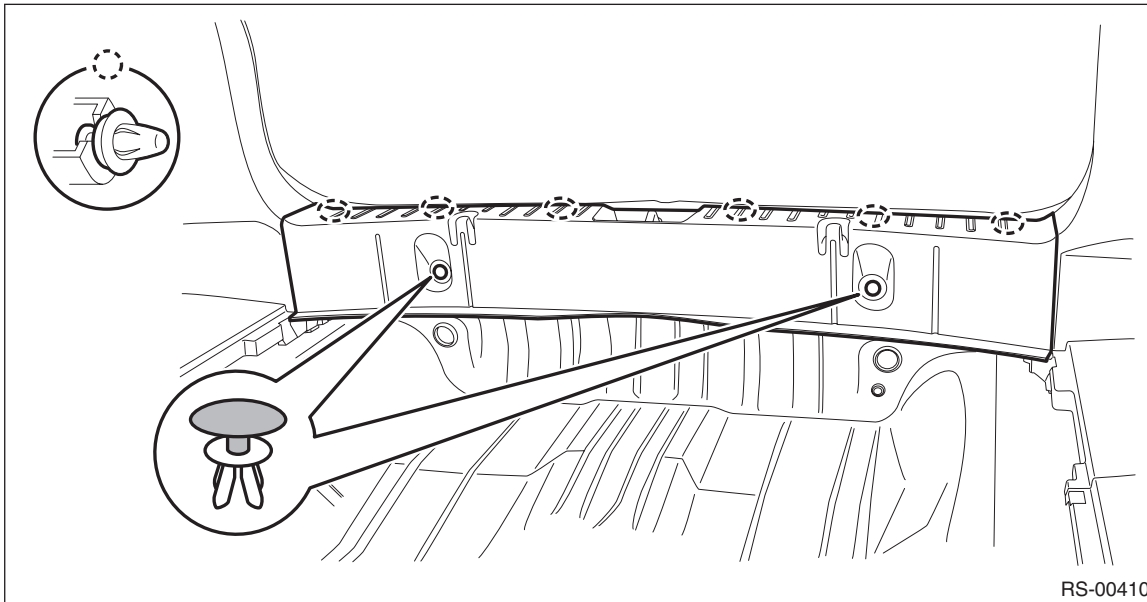
Do not pull with excessive force. Doing so may damage the claws of the side sill cover - rear INN.



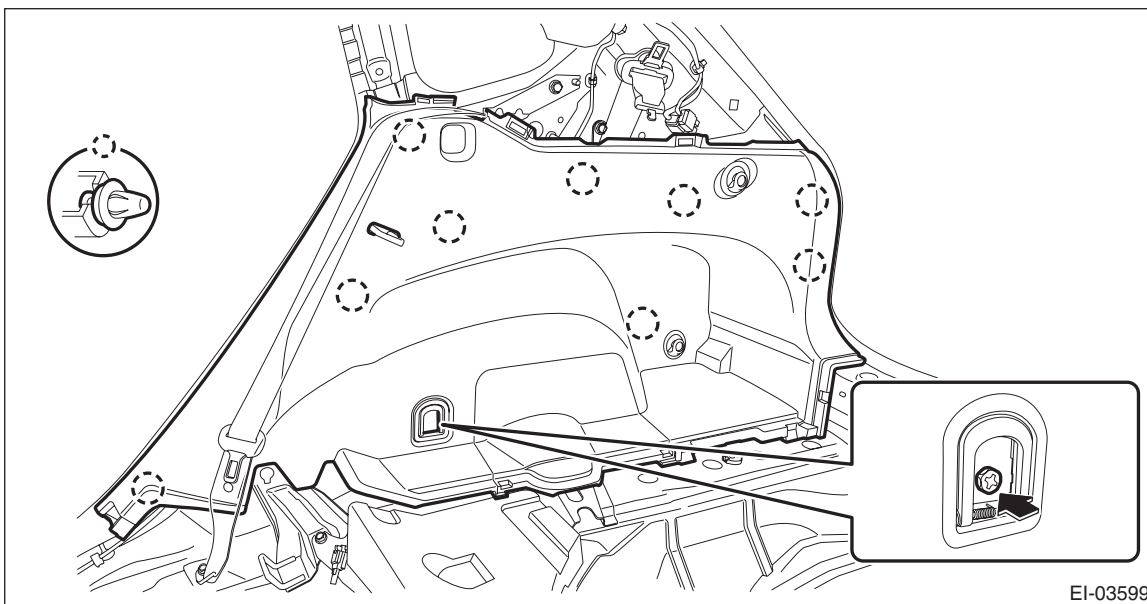
5) Remove the mat - rear floor CTR and the spacer - rear floor side.



6) Remove the clips, and remove the trim panel - rear skirt.



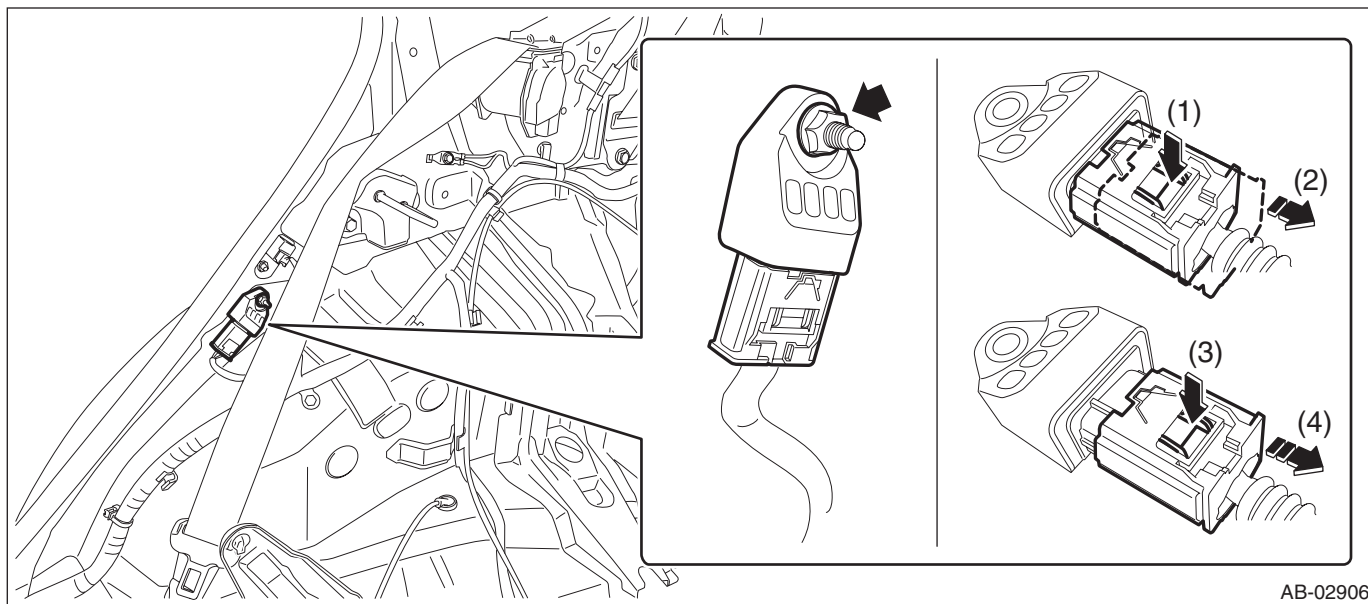
7) Remove the trim panel - rear apron. (On the side where the curtain airbag sensor is removed)
(1) Remove the caps, and then remove the screws.
(2) Remove the clips, and remove the trim panel - rear apron.



Curtain Airbag Sensor

AIRBAG SYSTEM

8) Remove the nuts and then remove the curtain airbag sensor. <Ref. to AB-29, SIDE AIRBAG SENSOR AND CURTAIN AIRBAG SENSOR, PROCEDURE, Airbag Connector.>



B: INSTALLATION

CAUTION:

- Do not reuse the bolt and nut.

Always replace with the specified new bolts and nuts.

- When installing the sensor, insert the set pin on the backside of the sensor into the hole on the body side securely.

1) Before installation, inspect the following items and replace any faulty part with a new one.

- Curtain airbag sensor or connector is damaged.
- Curtain airbag module has been activated.

2) Install each part in the reverse order of removal.

Tightening torque:

Curtain airbag sensor: 7.5 N·m (0.76 kgf-m, 5.5 ft-lb)

Rear seat backrest assembly: <Ref. to SE-5, REAR SEAT, COMPONENT, General Description.>